

PureWaterCooler™

by VERTEX

PWC 1500

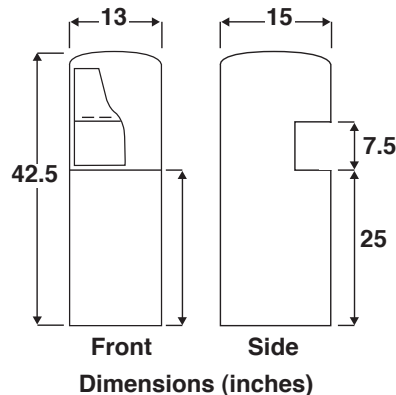


2-temp Cooler with Modern Look

Sleek, upscale bottle-less cooler with filtration provides great tasting hot and cold water from your tap. Contemporary styling fits with today's modern offices. Eliminates the hassle of 5-gallon bottles.

Features

- Two temperature system
Cold: 37-50° F, Adjustable • Hot: 180° F, Autocontrol
LED indicator for Hot and Cold water on the front panel
- Individual on/off control switches for cold and hot water on rear panel
- Completely sealed stainless steel cold reservoir and hot tank
- Convenient, enclosed, no-drip dispensing faucets
- Built-in filtration system is easily accessed for replacement
Available with Reverse Osmosis filtration system
Or Standard Dual-Cartridge filtration system
- Available with ultraviolet or ozone sterilizer
- 1 year limited warranty - 3 year compressor warranty



Silver & Black option

Specifications

Weight: 58 lb.
Dimension: 13"W x 15"D x 45.2"H
Cold tank volume 1 gal
Hot tank volume .5 gal
Cooling Rate: 1.5 gal/hr 37-50 °F
Heating Rate: 1.3 gal/hr 180 °F
Voltage: 115 VAC
Power Required: 600w max

Meets Energy Star Requirements
ADA compliant

Filter System

Standard Filter **1500F**
Stage 1: 5 micron Sediment
Stage 2: 10 micron Activated Carbon
Reverse Osmosis Filter **1500R**
Above 2 stages plus
Stage 3: 50-GPD RO Membrane
Automatic tank full control
Fully assembled
- connection hardware included



ORDERING INFORMATION

2-Temp Model - 50 GPD Reverse Osmosis	PWC-1500R
2-Temp Model - Standard Filtration	PWC-1500F
2-Temp Dispenser with UV stage	add / UV
2-temp model with Ozone sanitizer	add / OZ
2-temp Model w/ ProTekk Leak Detector	add / ldm
Replacement Filters	
Sediment	IFA-4035
GAC Carbon	IFA-4034
RO membrane, 50 GPD	MA-4203

Authorized Dealer

