

EVAPORATOR COILS

PRODUCT SPECIFICATIONS

EVAPORATOR COILS FEATURES

- Microban® antimicrobial additive in the drain pan to resist mold and mildew growth.
- Aluminum tubing, hairpins, distributors and header tubes. Copper refrigerant connections for easy brazing to both liquid and suction lines.
- Preformed flanges in outlet for quick and easy plenum connections
- One of the lowest water retention drain pans in the industry to minimize mold and mildew growth.
- Interlocking door assemblies and snug line seal grommets to minimize air leakage
- Foil-face insulation for easy cleaning
- Tubing located at door split for easy coil service or cleaning
- All drain pans are compatible with UV lights
- All piston coils are compatible with R22 or R410a
- 10-year limited parts warranty available when applied with a system. See limited warranty document for details.



Upflow/Counterflow Coils

MCVP*NPA (Cased)

- External cabinet mounted distributor body designed for easy changing of orifice sizes and fast TXV connections
- Single protruding right side dual drain port for easy installation and service access.

Horizontal Coils

MCHP*NPA (Cased)

- Dedicated horizontal
- Insulated galvanized steel case with durable embossed finish
- Removable panels provide access to coil.
- Refrigerant lines extend outside of the cabinet for easy connection.

Downflow Coils

MCDP*NPA (Cased)

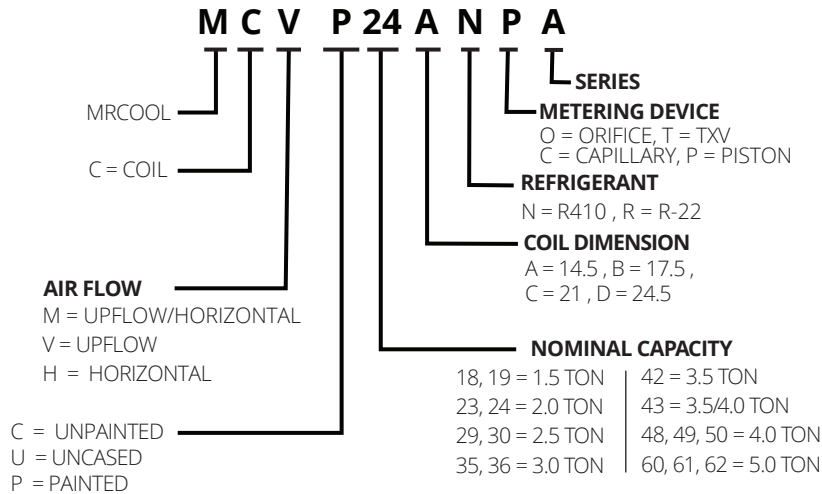
- Heavy-gauge steel constructed cabinet for optimal support of the furnace, no need for additional bracing or structure.
- Inlet openings matched to furnace models for easy installation and no adapters needed*
- Removable Cabinet panels for easy coil service
- Single protruding dual drain port for easy installation and service access



WARRANTY

10 year limited parts warranty available when applied with a system. See limited warranty document for details.

MODEL NUMBER GUIDE



MCVP*

AIR RESISTANCE

Model No.	Air Volume cfm	Total Resistance	
		Dry Coil in. w.g.	Wet Coil in. w.g.
MCVP24ANPA	400	0.05	0.05
	600	0.09	0.10
	800	0.16	0.18
	1000	0.23	0.26
	1200	0.32	0.36
MCVP24BNPA	400	0.03	0.04
	600	0.07	0.09
	800	0.11	0.15
	1000	0.17	0.22
	1200	0.23	0.31
MCVP30ANPA	600	0.07	0.08
	800	0.12	0.13
	1000	0.18	0.20
	1200	0.26	0.28
	1400	0.34	0.37
MCVP30BNPA	600	0.06	0.06
	800	0.09	0.11
	1000	0.13	0.16
	1200	0.19	0.23
	1400	0.25	0.31
MCVP36BNPA	800	0.08	0.11
	1000	0.13	0.16
	1200	0.17	0.21
	1400	0.22	0.28
	1600	0.29	0.34

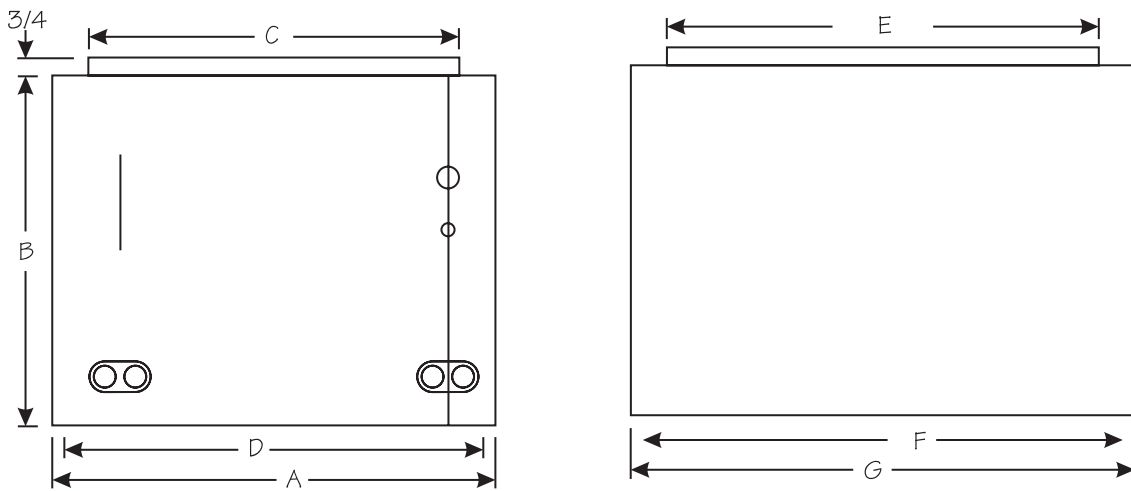
Model No.	Air Volume cfm	Total Resistance	
		Dry Coil in. w.g.	Wet Coil in. w.g.
MCVP48BNPA	1000	0.13	0.13
	1200	0.18	0.18
	1400	0.23	0.24
	1600	0.30	0.31
	1800	0.37	0.40
	1800	0.37	0.40
MCVP48CNPA	1000	0.07	0.09
	1200	0.10	0.12
	1400	0.13	0.16
	1600	0.16	0.20
	1800	0.20	0.24
MCVP49CNPA	1200	0.08	0.12
	1400	0.13	0.17
	1600	0.17	0.22
	1800	0.22	0.28
	2000	0.28	0.35
MCVP60CNPA	1400	0.15	0.19
	1600	0.19	0.23
	1800	0.24	0.28
	2000	0.29	0.34
	2200	0.33	0.40
	2400	0.39	0.46

MCDP*

COIL PRESSURE DROP

Evaporator	Wet Coil Pressure Drop								
	600	800	1000	1200	1400	1600	1800	2000	2200
MCDP0018ANPA	0.20	0.32	0.42	0.52					
MCDP0024ANPA	0.15	0.25	0.37	0.52					
MCDP0024BNPA	0.15	0.26	0.39	0.54					
MCDP3036ANPA	0.10	0.18	0.27	0.38	0.49				
MCDP3036BNPA	0.10	0.16	0.22	0.28	0.34	0.40			
MCDP3036CNPA	0.07	0.13	0.21	0.29	0.38	0.46			
MCDP0048BNPA				0.17	0.23	0.29	0.36	0.45	
MCDP0048CNPA				0.20	0.27	0.35	0.42	0.51	
MCDP5060CNPA					0.19	0.24	0.31	0.36	0.45
MCDP0060DNPA					0.19	0.24	0.31	0.36	0.45

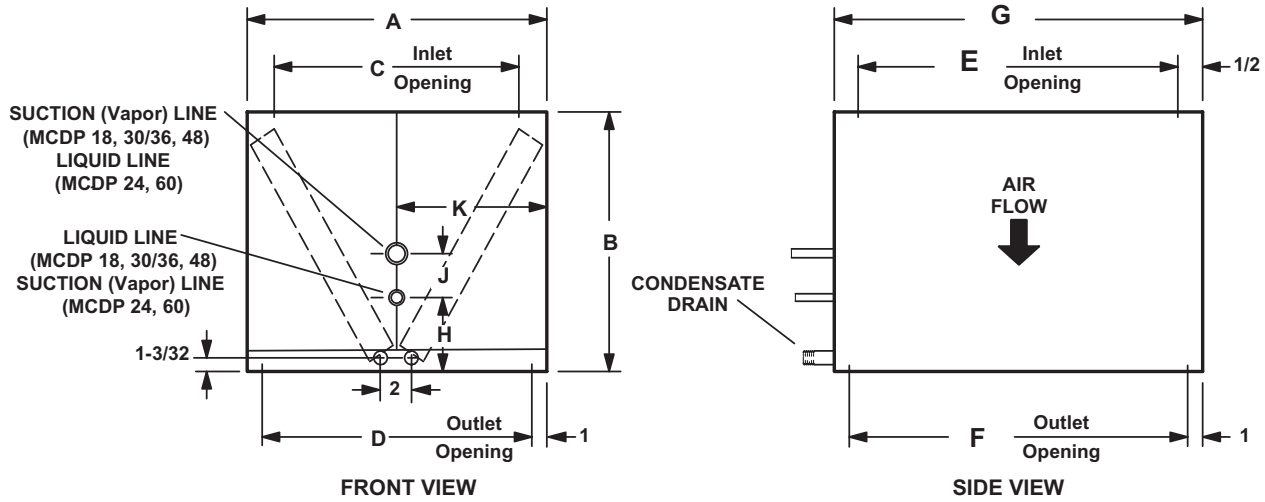
DIMENSIONS - CASED



Model	A (in.)	B (in.)	C (in.)	D (in.)	E (in.)	F (in.)	G (in.)	Orifice	Refrigerant Connections		Weight (lbs.)
									Liquid (in.)	Vapor (in.)	
MCVP24ANPA	14-1/2	18-1/2	13	13-3/8	18	20-1/2	21	.057	3/8	3/4	38
MCVP24BNPA	17-1/2	18-1/2	16	16-3/8	18	20-1/2	21	.057	3/8	3/4	43
MCVP30ANPA	14-1/2	22-1/2	13	13-3/8	18	20-1/2	21	.067	3/8	3/4	45
MCVP30BNPA	17-1/2	22-1/2	16	16-3/8	18	20-1/2	21	.067	3/8	3/4	50
MCVP36BNPA	17-1/2	22-1/2	16	16-3/8	18	20-1/2	21	.070	3/8	3/4	50
MCVP48BNPA	17-1/2	27-1/2	16	16-3/8	18	20-1/2	21	.071	3/8	7/8	55
MCVP48CNPA	21	27-1/2	19-1/2	19-7/8	18	20-1/2	21	.071	3/8	7/8	60
MCVP49CNPA	21	29-1/2	19-1/2	20	19	21-1/2	22	.076	3/8	7/8	70

MCDP*

DIMENSIONS - DOWNFLOW



NOTE - Liquid and Suction Line locations are reversed on MCDP0024ANPA and MCDP0060DNPA models.

Model Number	A	B	C	D	E	F	G	H	J	K	Refrigerant Connections		Weight lbs.
	in.	in.	in.	in.	in.	in.	in.	in.	in.	in.	Liq-uid in.	Vapor in.	
MCDP0018ANPA	17-1/2	14-1/8	13-1/2	15-1/2	22-5/8	23-3/16	26-1/8	6 1/4	3	8 3/4	3/8	7/8	44
MCDP0024ANPA	17-1/2	14-1/8	13-1/2	15-1/2	22-5/8	23-3/16	26-1/8	5	5	8 3/4	3/8	7/8	44
MCDP0024BNPA	17-1/2	14-1/8	16-1/2	15-1/2	22-5/8	23-3/16	26-1/8	5	5	8 3/4	3/8	7/8	49
MCDP3036ANPA	17-1/2	16-1/8	13-1/2	15-1/2	22-5/8	23-3/16	26-1/8	6 1/8	3	8 3/4	3/8	7/8	58
MCDP3036BNPA	17-1/2	16-1/8	16-1/2	15-1/2	22-5/8	23-3/16	26-1/8	6 1/8	3	8 3/4	3/8	7/8	57
MCDP3036CNPA	21	16-1/8	20	19	22-5/8	23-3/16	26-1/8	6 1/8	3	10 1/2	3/8	7/8	60
MCDP0048BNPA	21	20	16-1/2	19	22-5/8	23-3/16	26-1/8	8 1/8	4	10 1/2	3/8	7/8	72
MCDP0048CNPA	21	20	20	19	22-5/8	23-3/16	26-1/8	8 1/8	4	10 1/2	3/8	7/8	71
MCDP5060CNPA	24-1/2	23-5/8	20	22-1/2	22-5/8	23-3/16	26-1/8	3 1/2	17-3/16	12 1/4	3/8	7/8	85
MCDP0060DNPA	24-1/2	23-5/8	23-1/2	22-1/2	22-5/8	23-3/16	26-1/8	3 1/2	17-3/16	12 1/4	3/8	7/8	84

MCHP*

SPECIFICATIONS

General Data		MCHP 24A	MCHP 24B	MCHP 30A	MCHP 30B	MCHP 36B	MCHP 48B	MCHP 48C	MCHP 51C	MCHP 60D
Model No.										
Nominal size - Tons		2	2	2.5	2.5	3	3.5/4	3.5/4	4	5
Line connections in.	Suction o.d. - sweat	3/4	3/4	3/4	3/4	3/4	7/8	7/8	7/8	7/8
	Liquid o.d. - sweat	3/8	3/8	3/8	3/8	3/8	3/8	3/8	3/8	3/8
	Condensate drain (fpt)	(2) 3/4	(2) 3/4	(2) 3/4	(2) 3/4	(2) 3/4	(2) 3/4	(2) 3/4	(2) 3/4	(2) 3/4
Shipping Data - lbs.		45	49	55	53	48	60	59	69	78

MCHP*

AIR RESISTANCE

Total Air Resistance - in. w.g.

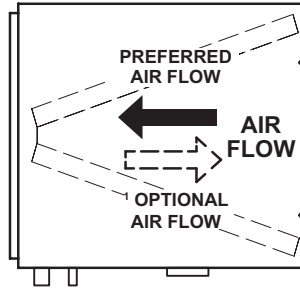
Air Volume cfm	MCHP-24A		MCHP-24B		MCHP-30A		MCHP-30B		MCHP-36A		MCHP-36B	
	Dry Coil	Wet Coil	Dry Coil	Wet Coil	Dry Coil	Wet Coil	Dry Coil	Wet Coil	Dry Coil	Wet Coil	Dry Coil	Wet Coil
200	---	---	---	---	---	---	---	---	---	---	---	---
400	0.04	0.05	0.03	0.04	0.04	0.05	0.02	0.02	---	---	---	---
600	0.09	0.11	0.05	0.07	0.09	0.10	0.05	0.06	---	---	---	---
800	0.15	0.19	0.09	0.11	0.15	0.17	0.09	0.11	0.15	0.18	0.08	0.10
1000	0.23	0.29	0.15	0.17	0.24	0.27	0.14	0.16	0.22	0.27	0.11	0.16
1200	0.32	0.40	0.21	0.23	0.34	0.38	0.19	0.23	0.30	0.39	0.16	0.21
1400	0.43	0.50	0.28	0.30	0.45	0.51	0.26	0.30	0.41	0.48	0.21	0.27
1600	---	---	---	---	---	---	---	---	0.53	0.63	0.27	0.35

AIR RESISTANCE

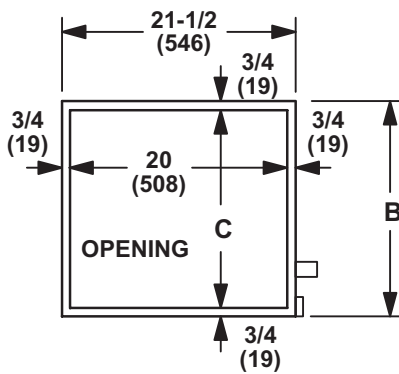
Air Volume cfm	MCHP-48B		MCHP-48C		MCHP-51C		MCHP-60D	
	Dry Coil	Wet Coil	Dry Coil	Wet Coil	Dry Coil	Wet Coil	Dry Coil	Wet Coil
800	---	---	---	---	---	---	---	---
1000	0.14	0.16	---	---	---	---	---	---
1200	0.19	0.23	0.16	0.19	0.15	0.16	---	---
1400	0.25	0.29	0.21	0.26	0.20	0.23	0.12	0.16
1600	0.30	0.38	0.27	0.30	0.25	0.29	0.16	0.20
1800	0.38	0.42	0.33	0.39	0.31	0.36	0.20	0.24
2000	---	---	0.39	0.49	0.40	0.44	0.24	0.30
2200	---	---	---	---	0.48	0.54	0.29	0.36
2400	---	---	---	---	---	---	0.34	0.42

MCHP*

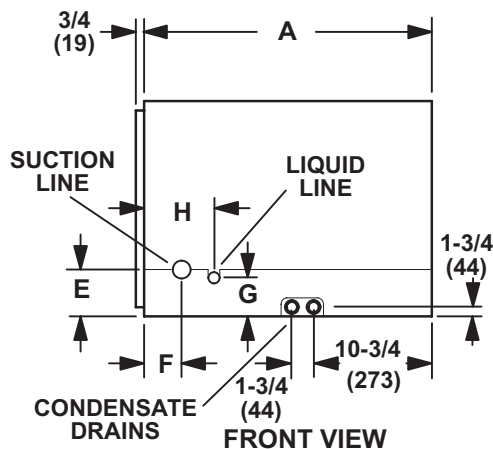
¹ Optional right-hand airflow requires a field fabricated 6 in. (152 mm) spacer in-between the furnace and coil.



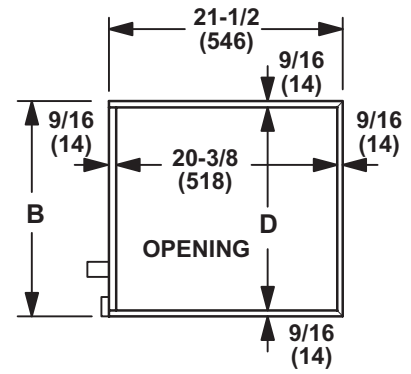
TOP VIEW



END VIEW



FRONT VIEW



END VIEW

Model No.	A		B		C		D		E		F		G		H	
	in.	mm	in.	mm	in.	mm	in.	mm	in.	mm	in.	mm	in.	mm	in.	mm
MCHP-24A	26-1/2	673	14-1/2	368	13	330	13-3/8	340	4	102	2-1/8	54	3	76	4-7/8	124
MCHP-24B	26-1/2	673	17-1/2	444	16	406	16-3/8	416	4	102	2-1/8	54	3	76	4-7/8	124
MCHP-36A	26-1/2	673	14-1/2	368	13	330	13-3/8	340	4	102	2-1/8	54	3	76	4-7/8	124
MCHP-36B	26-1/2	673	17-1/2	444	16	406	16-3/8	416	4	102	2-1/8	54	3	76	4-7/8	124
MCHP-36C	26-1/2	673	21	533	19-1/2	495	19-7/8	505	4	102	2-1/8	54	3	76	4-7/8	124
MCHP-48B	31-1/2	800	17-1/2	444	16	406	16-3/8	416	4	102	2-1/8	54	3	76	4-7/8	124
MCHP-48C	26-1/2	673	21	533	19-1/2	495	19-7/8	505	4	102	2-1/8	54	3	76	4-7/8	124
MCHP-51C	31-1/2	800	21	533	19-1/2	495	19-7/8	505	4	102	2-1/8	54	3	76	4-7/8	124
MCHP-60D	31-1/2	800	24-1/2	622	23	584	23-3/8	594	4	102	2-1/8	54	3	76	4-7/8	124