



Air Conditioning & Heating

SSZ14

HIGH-EFFICIENCY

SPLIT SYSTEM HEAT PUMP

UP TO 15 SEER & 8.5 HSPF

COOLING CAPACITY: 18,000 TO 57,600 BTU/H

HEATING CAPACITY: 18,000 TO 59,000 BTU/H



Contents

Nomenclature.....	2
Product Specifications.....	3
Expanded Cooling Data.....	4
Expanded Heating Data.....	20
AHRI Ratings	22
Dimensions	36
Wiring Diagrams.....	37
Accessories	39

Standard Features

- High-efficiency scroll compressor
- High density foam compressor sound blanket
- Expanded CoreSense™ diagnostics built in
- SmartShift® technology with short-cycle protection
- Factory-installed bi-flow liquid-line filter drier
- Factory-installed compressor crankcase heater
- Factory-installed coil and ambient temperature sensors
- Factory-installed suction-line accumulator
- Factory-installed high-capacity muffler
- High- and low-pressure switches
- Service valves with sweat connections and easy access to gauge ports
- Copper tube/enhanced aluminum fin coil
- AHRI Certified; ETL Listed

Cabinet Features

- Goodman® brand sound control top design
- Steel louver coil guard
- Heavy-gauge galvanized-steel cabinet
- Attractive Architectural Gray powder-paint finish with 500-hour salt-spray approval
- Top and side maintenance access
- Service ports and controls are accessible while unit is operating
- When properly anchored, meets the 2010 Florida Building Code unit integrity requirements for hurricane-type winds (Anchor bracket kits available.)









ENERGY STAR® and the ENERGY STAR mark are registered trademarks owned by the U.S. Environmental Protection Agency. ENERGY STAR products are third-party certified by an EPA-recognized Certification Body. Products that earn the ENERGY STAR prevent greenhouse gas emissions by meeting strict energy efficiency guidelines set by the U.S. Environmental Protection Agency. Proper sizing and installation of equipment is critical to achieving optimal performance. Split system air conditioners and heat pumps must be matched with appropriate coil components to meet ENERGY STAR criteria. Ask your contractor for details or visit www.energystar.gov.



* Complete warranty details available from your local dealer or at www.goodmanmfg.com. To receive the Lifetime Compressor Limited Warranty (good for as long as you own your home) and the 10-Year Parts Limited Warranty, online registration must be completed within 60 days of installation. Online registration is not required in California or Quebec.

	S	S	Z	14	036	1	A	A	
	1	2	3	4,5	6,7,8	9	10	11	
Brand							Engineering *		
S Goodman® (High Feature Set Model)							Minor Revision		
Product Category							Engineering *		
S Split System							Major Revision		
Unit Type							Electrical		
X Condenser R-410A							1	208/230 V, 1 Phase, 60 Hz	
Z Heat Pump R-410A							2	220/240 V, 1 Phase, 50 Hz	
							3	208/230 V, 3 Phase, 60 Hz	
							4	460 V, 3 Phase, 60 Hz	
Efficiency							Nominal Capacity		
13 13 SEER							018	1½ Tons	042 3½ Tons
14 14 SEER							024	2 Tons	048 4 Tons
16 16 SEER							030	2½ Tons	060 5 Tons
							036/38	3 Tons	

* Neither used for order entry or inventory management.

	SSZ14 0181B*	SSZ14 0241B*	SSZ14 0301B*	SSZ14 0361B*	SSZ14 0381A*	SSZ14 0421A*	SSZ14 0481A*	SSZ14 0601A*
NOMINAL CAPACITIES								
Cooling (BTU/h)	18,000	24,000	30,000	36,000	36,000	42,000	48,000	60,000
Heating (BTU/h)	18,000	24,000	30,000	36,000	36,000	42,000	48,000	60,000
Decibels	70	72	72	74	74	73	74	75
COMPRESSOR								
RLA	9.0	12.8	14.1	14.1	14.1	17.9	19.9	26.4
LRA	48.0	58.3	73.0	77.0	77	112.0	109.0	134.0
CONDENSER FAN MOTOR								
Horsepower	1/12	1/6	1/6	¼	1/6	¼	¼	¼
FLA	0.6	1.1	1.0	1.5	1	1.5	1.5	1.5
REFRIGERATION SYSTEM								
Refrigerant Line Size ¹								
Liquid Line Size ("O.D.)	⅜"	⅜"	⅜"	⅜"	⅜"	⅜"	⅜"	⅜"
Suction Line Size ("O.D.)	¾"	¾"	¾"	⅞"	⅞"	1⅛"	1⅛"	1⅛"
Refrigerant Connection Size								
Liquid Valve Size ("O.D.)	⅜"	⅜"	⅜"	⅜"	⅜"	⅜"	⅜"	⅜"
Suction Valve Size ("O.D.)	¾"	¾"	¾"	¾"	⅞"	⅞"	⅞"	⅞"
Valve Connection Type	Sweat	Sweat	Sweat	Sweat	Sweat	Sweat	Sweat	Sweat
Refrigerant Charge	130	153	175	163	201	207	234	255
ELECTRICAL DATA								
Volts-Phase (60 Hz)	208/230-1	208/230-1	208/230-1	208/230-1	208/230-1	208/230-1	208/230-1	208/230-1
Minimum Circuit Ampacity ²	11.9	17.1	18.6	19.1	18.6	23.9	26.4	34.5
Max. Overcurrent Protection ³	20	25	30	30	30	40	45	60
Min / Max Volts	197 / 253	197 / 253	197 / 253	197 / 253	197/253	197 / 253	197 / 253	197 / 253
Electrical Conduit Size	½" or ¾"	½" or ¾"	½" or ¾"	½" or ¾"	½" or ¾"	½" or ¾"	½" or ¾"	½" or ¾"
EQUIPMENT WEIGHT (LBS)	173	183	185	192	253	246	278	292
SHIP WEIGHT (LBS)	191	201	203	210	275	268	300	314
ENERGY STAR-CERTIFIED					NO			NO

¹ Tested and rated in accordance with AHRI Standard 210/240

² Wire size should be determined in accordance with National Electrical Codes; extensive wire runs will require larger wire sizes

³ Must use time-delay fuses or HACR-type circuit breakers of the same size as noted.

^{ES} Energy Star Rated

NOTES

- Always check the rating plate for electrical data on the unit being installed.
- Installer will need to supply ⅞" to 1⅛" adapters for suction line connections.
- Unit is charged with refrigerant for 15' of ⅜" liquid line. System charge must be adjusted per Installation Instructions Final Charge Procedure.
- Installation of these units requires the specified TXV Kit to be installed on the indoor coil.
THE SPECIFIED TXV IS DETERMINED BY THE OUTDOOR UNIT NOT THE INDOOR COIL.

ENERGY STAR NOTE:

Proper sizing and installation of equipment is critical to achieving optimal performance. Split system air conditioners and heat pumps must be matched with appropriate coil components to meet ENERGY STAR criteria. Ask your contractor for details or visit www.energystar.gov. The www.energystar.gov website provides up-to-date system combinations certified to meet ENERGY STAR requirements. See Page 20 for all ENERGY STAR certified combinations as of this document's revision date.

IDB		OUTDOOR AMBIENT TEMPERATURE																																				
		65°F						75°F						85°F						95°F						105°F						115°F						
		AIRFLOW			59			63			67			71			59			63			67			71			59			63			67			71
70	675	MBh	17.6	18.3	20.0	-	17.2	17.9	19.6	-	16.8	17.4	19.1	-	16.4	17.0	18.6	-	15.6	16.2	17.7	-	14.4	15.0	16.4	-												
		S/T	0.74	0.62	0.43	-	0.76	0.64	0.44	-	0.78	0.65	0.45	-	0.81	0.67	0.47	-	0.84	0.70	0.49	-	0.85	0.71	0.49	-												
		ΔT	18	15	12	-	18	16	12	-	18	16	12	-	18	16	12	-	18	15	12	-	17	14	11	-												
		kW	1.17	1.19	1.23	-	1.25	1.27	1.32	-	1.33	1.36	1.40	-	1.40	1.43	1.47	-	1.45	1.48	1.53	-	1.50	1.53	1.58	-												
		Amps	4.2	4.3	4.4	-	4.5	4.6	4.8	-	4.9	5.0	5.2	-	5.3	5.4	5.6	-	5.6	5.7	5.9	-	5.9	6.1	6.3	-												
	Hi PR	213	229	242	-	239	257	271	-	271	292	308	-	309	333	351	-	348	374	395	-	384	413	436	-													
	Lo PR	107	113	124	-	113	120	131	-	117	124	136	-	123	131	143	-	129	137	150	-	133	142	155	-													
	MBh	17.1	17.7	19.4	-	16.7	17.3	19.0	-	16.3	16.9	18.5	-	15.9	16.5	18.1	-	15.1	15.7	17.2	-	14.0	14.5	15.9	-													
	S/T	0.70	0.59	0.41	-	0.73	0.61	0.42	-	0.75	0.62	0.43	-	0.77	0.64	0.45	-	0.80	0.67	0.46	-	0.81	0.67	0.47	-													
	ΔT	18	16	12	-	19	16	12	-	19	16	12	-	19	16	12	-	19	16	12	-	17	15	11	-													
kW	1.16	1.18	1.22	-	1.24	1.27	1.31	-	1.32	1.35	1.39	-	1.38	1.41	1.46	-	1.44	1.47	1.52	-	1.49	1.52	1.57	-														
Amps	4.2	4.3	4.4	-	4.5	4.6	4.8	-	4.9	5.0	5.2	-	5.2	5.3	5.5	-	5.5	5.7	5.9	-	5.9	6.0	6.2	-														
Hi PR	210	227	239	-	236	254	268	-	269	289	305	-	306	329	348	-	344	370	391	-	380	409	432	-														
Lo PR	105	112	122	-	111	119	129	-	116	123	134	-	122	129	141	-	127	136	148	-	132	140	153	-														
MBh	15.8	16.4	17.9	-	15.4	16.0	17.5	-	15.1	15.6	17.1	-	14.7	15.2	16.7	-	14.0	14.5	15.9	-	12.9	13.4	14.7	-														
S/T	0.68	0.57	0.39	-	0.70	0.59	0.41	-	0.72	0.60	0.42	-	0.74	0.62	0.43	-	0.77	0.64	0.45	-	0.78	0.65	0.45	-														
ΔT	19	16	12	-	19	16	12	-	19	16	12	-	19	17	13	-	19	16	12	-	18	15	12	-														
kW	1.13	1.15	1.19	-	1.21	1.24	1.28	-	1.29	1.31	1.35	-	1.35	1.38	1.42	-	1.41	1.44	1.48	-	1.45	1.48	1.53	-														
Amps	4.1	4.2	4.3	-	4.4	4.5	4.6	-	4.7	4.9	5.0	-	5.1	5.2	5.4	-	5.4	5.5	5.7	-	5.7	5.8	6.0	-														
Hi PR	204	220	232	-	229	247	260	-	261	280	296	-	297	319	337	-	334	359	379	-	369	397	419	-														
Lo PR	102	109	119	-	108	115	126	-	112	119	130	-	118	126	137	-	124	132	144	-	128	136	149	-														

IDB		OUTDOOR AMBIENT TEMPERATURE																																				
		65°F						75°F						85°F						95°F						105°F						115°F						
		AIRFLOW			59			63			67			71			59			63			67			71			59			63			67			71
75	675	MBh	17.9	18.5	20.0	21.5	17.5	18.0	19.5	21.0	17.1	17.6	19.1	20.5	16.7	17.2	18.6	20.0	15.9	16.3	17.7	19.0	14.7	15.1	16.4	17.6												
		S/T	0.84	0.75	0.57	0.36	0.87	0.78	0.59	0.38	0.89	0.80	0.60	0.39	0.92	0.82	0.62	0.40	0.95	0.85	0.65	0.42	0.96	0.86	0.65	0.42												
		ΔT	20	19	15	11	21	19	16	11	21	19	16	11	21	19	16	11	21	19	16	11	19	18	15	10												
		kW	1.18	1.20	1.24	1.27	1.26	1.29	1.33	1.37	1.37	1.34	1.37	1.41	1.46	1.41	1.44	1.48	1.53	1.46	1.50	1.54	1.59	1.51	1.55	1.60	1.65											
		Amps	4.2	4.3	4.5	4.6	4.6	4.7	4.8	5.0	5.0	5.0	5.1	5.2	5.4	5.3	5.4	5.6	5.8	5.6	5.8	6.0	6.2	6.0	6.1	6.3	6.5											
	Hi PR	215	231	244	255	241	259	274	286	274	295	311	325	312	312	336	355	370	351	378	399	416	388	418	441	460												
	Lo PR	108	114	125	133	114	121	132	141	118	126	137	146	124	124	144	154	130	138	151	161	135	143	156	166													
	MBh	17.4	17.9	19.4	20.8	17.0	17.5	19.0	20.3	16.6	17.1	18.5	19.9	16.2	16.7	18.1	19.4	15.4	15.8	17.2	18.4	14.3	14.7	15.9	17.1													
	S/T	0.80	0.71	0.54	0.35	0.83	0.74	0.56	0.36	0.85	0.76	0.57	0.37	0.88	0.78	0.59	0.38	0.91	0.81	0.62	0.40	0.92	0.82	0.62	0.40													
	ΔT	21	20	16	11	22	20	16	11	22	20	16	11	22	20	16	11	21	20	16	11	20	18	15	10													
kW	1.17	1.19	1.23	1.26	1.25	1.28	1.32	1.36	1.33	1.36	1.40	1.44	1.40	1.40	1.43	1.47	1.52	1.45	1.48	1.53	1.58	1.50	1.53	1.58	1.64													
Amps	4.2	4.3	4.4	4.6	4.5	4.6	4.8	5.0	4.9	5.0	5.2	5.4	5.3	5.4	5.6	5.8	5.8	5.6	5.7	5.9	6.1	5.9	6.1	6.3	6.5													
Hi PR	213	229	242	252	239	257	271	283	271	292	308	322	309	309	333	351	366	348	374	395	412	384	413	437	455													
Lo PR	107	113	124	132	113	120	131	139	117	124	136	145	123	123	143	152	129	137	150	159	133	142	155	165														
MBh	16.1	16.5	17.9	19.2	15.7	16.2	17.5	18.8	15.3	15.8	17.1	18.3	15.0	15.4	16.7	17.9	14.2	14.6	15.8	17.0	13.2	13.5	14.7	15.7														
S/T	0.77	0.69	0.52	0.34	0.80	0.71	0.54	0.35	0.82	0.73	0.55	0.36	0.84	0.76	0.57	0.37	0.88	0.78	0.59	0.38	0.88	0.79	0.60	0.39														
ΔT	22	20	16	11	22	20	17	11	22	20	17	11	22	20	17	12	22	20	16	11	20	19	15	11														
kW	1.14	1.16	1.20	1.24	1.22	1.25	1.29	1.33	1.30	1.32	1.37	1.41	1.36	1.39	1.44	1.48	1.42	1.45	1.49	1.54	1.47	1.50	1.54	1.60														
Amps	4.1	4.2	4.3	4.5	4.4	4.5	4.7	4.8	4.8	4.9	5.1	5.2	5.1	5.2	5.4	5.6	5.4	5.6	5.7	6.0	5.7	5.9	6.1	6.3														
Hi PR	206	222	234	244	231	249	263	274	263	283	299	312	300	300	323	341	355	337	363	383	400	373	401	423	442													
Lo PR	103	110	120	128	109	116	127	135	113	121	132	140	119	119	127	138	147	125	133	145	129	137	150	160														

IDB: Entering Indoor Dry Bulb Temperature
 High and low pressures are measured at the liquid and suction service valves.
 Shaded area reflects ACCA (TVA) conditions
 kW = Total system power
 Amps = outdoor unit amps (comp.+fan)

IDB	AIRFLOW	OUTDOOR AMBIENT TEMPERATURE												ENTERING INDOOR WET BULB TEMPERATURE											
		65°F				75°F				85°F				95°F				105°F				115°F			
		59	63	67	71	59	63	67	71	59	63	67	71	59	63	67	71	59	63	67	71	59	63	67	71
80	MBh	18.3	18.7	19.9	21.3	17.8	18.2	19.5	20.8	17.4	17.8	19.0	20.3	17.0	17.4	18.5	19.8	16.1	16.5	17.6	18.8	14.9	15.3	16.3	17.4
	S/T	0.92	0.86	0.70	0.52	0.95	0.89	0.73	0.54	1.00	0.92	0.75	0.56	1.00	0.94	0.77	0.57	1.00	1.00	0.80	0.60	1.00	1.00	0.80	0.60
	ΔT	23	22	19	15	23	22	19	15	24	22	19	15	23	22	19	16	22	21	19	15	20	21	18	14
	kW	1.19	1.21	1.25	1.28	1.27	1.30	1.34	1.38	1.35	1.38	1.42	1.47	1.42	1.45	1.50	1.54	1.48	1.51	1.56	1.61	1.53	1.56	1.61	1.66
	Amps	4.3	4.4	4.5	4.7	4.6	4.7	4.9	5.1	5.0	5.1	5.3	5.5	5.3	5.5	5.7	5.9	5.7	5.8	6.0	6.2	6.0	6.2	6.4	6.6
	Hi PR	217	233	247	257	243	262	277	288	277	298	315	328	315	339	358	374	355	382	403	420	392	422	445	465
	Lo PR	109	116	126	134	115	122	133	142	119	127	139	148	125	133	146	155	131	140	153	162	136	145	158	168
	MBh	17.7	18.1	19.4	20.7	17.3	17.7	18.9	20.2	16.9	17.3	18.5	19.7	16.5	16.8	18.0	19.2	15.7	16.0	17.1	18.3	14.5	14.8	15.8	16.9
	S/T	0.88	0.82	0.67	0.50	0.91	0.85	0.69	0.52	0.93	0.87	0.71	0.53	0.96	0.90	0.73	0.55	1.00	0.94	0.76	0.57	1.00	0.94	0.77	0.57
	ΔT	24	23	20	16	24	23	20	16	24	23	20	16	24	23	20	16	24	23	20	16	22	21	19	15
kW	1.18	1.20	1.24	1.27	1.26	1.29	1.33	1.37	1.34	1.37	1.41	1.46	1.41	1.44	1.48	1.53	1.46	1.50	1.54	1.59	1.51	1.55	1.60	1.65	
Amps	4.2	4.3	4.5	4.6	4.6	4.7	4.8	5.0	5.0	5.1	5.3	5.4	5.3	5.4	5.6	5.8	5.6	5.8	6.0	6.2	6.0	6.1	6.3	6.5	
Hi PR	215	231	244	255	241	259	274	286	274	295	311	325	312	336	355	370	351	378	399	416	388	418	441	460	
Lo PR	108	114	125	133	114	121	132	141	118	126	137	146	124	132	144	154	130	138	151	161	135	143	156	166	
MBh	16.4	16.7	17.9	19.1	16.0	16.3	17.4	18.6	15.6	15.9	17.0	18.2	15.2	15.6	16.6	17.8	14.5	14.8	15.8	16.9	13.4	13.7	14.6	15.6	
S/T	0.84	0.79	0.64	0.48	0.88	0.82	0.67	0.50	0.90	0.84	0.69	0.51	0.93	0.87	0.71	0.53	0.96	0.90	0.73	0.55	0.97	0.91	0.74	0.55	
ΔT	24	23	20	16	24	23	20	16	25	23	20	16	25	24	21	16	24	23	20	16	23	22	19	15	
kW	1.15	1.17	1.21	1.24	1.23	1.26	1.30	1.34	1.31	1.34	1.38	1.42	1.37	1.40	1.45	1.49	1.43	1.46	1.51	1.56	1.48	1.51	1.56	1.61	
Amps	4.1	4.2	4.4	4.5	4.5	4.6	4.7	4.9	4.8	4.9	5.1	5.3	5.2	5.3	5.5	5.7	5.5	5.6	5.8	6.0	5.8	5.9	6.1	6.4	
Hi PR	208	224	237	247	234	252	266	277	266	286	302	315	303	326	344	359	341	367	387	404	376	405	428	446	
Lo PR	104	111	121	129	110	117	128	136	115	122	133	142	120	128	140	149	126	134	147	156	131	139	152	161	

85	MBh	18.6	18.9	19.8	21.2	18.1	18.5	19.4	20.7	17.7	18.1	18.9	20.2	17.3	17.6	18.4	19.7	16.4	16.7	17.5	18.7	15.2	15.5	16.2	17.3
	S/T	0.96	0.93	0.84	0.68	1.00	0.96	0.87	0.71	1.00	0.99	0.89	0.72	1.00	1.00	0.92	0.75	1.00	1.00	0.95	0.77	1.00	1.00	0.96	0.78
	ΔT	24	24	23	20	25	24	23	20	24	24	23	20	24	24	23	20	22	23	23	20	21	21	21	18
	kW	1.19	1.22	1.26	1.29	1.28	1.31	1.35	1.39	1.36	1.39	1.43	1.48	1.43	1.46	1.51	1.56	1.49	1.52	1.57	1.62	1.54	1.57	1.62	1.68
	Amps	4.3	4.4	4.6	4.7	4.7	4.8	4.9	5.1	5.1	5.2	5.3	5.5	5.4	5.5	5.7	5.9	5.7	5.9	6.1	6.3	6.1	6.2	6.4	6.7
	Hi PR	219	236	249	260	246	265	279	291	280	301	318	331	318	343	362	377	358	386	407	425	396	426	450	469
	Lo PR	110	117	127	136	116	123	135	143	121	128	140	149	127	135	147	157	133	141	154	164	137	146	159	170
	MBh	18.0	18.4	19.3	20.5	17.6	18.0	18.8	20.1	17.2	17.5	18.4	19.6	16.8	17.1	17.9	19.1	15.9	16.2	17.0	18.2	14.8	15.0	15.8	16.8
	S/T	0.92	0.89	0.80	0.65	0.95	0.92	0.83	0.67	0.98	0.94	0.85	0.69	1.00	0.97	0.88	0.71	1.00	1.00	0.91	0.74	1.00	1.00	0.92	0.74
	ΔT	25	25	24	20	26	25	24	21	26	25	24	21	26	25	24	21	24	25	24	21	23	23	22	19
kW	1.19	1.21	1.25	1.28	1.27	1.30	1.34	1.38	1.35	1.38	1.42	1.47	1.42	1.45	1.50	1.54	1.48	1.51	1.56	1.61	1.53	1.56	1.61	1.66	
Amps	4.3	4.4	4.5	4.7	4.6	4.7	4.9	5.1	5.0	5.1	5.3	5.5	5.3	5.5	5.7	5.9	5.7	5.8	6.0	6.2	6.0	6.2	6.4	6.6	
Hi PR	217	233	247	257	243	262	277	288	277	298	315	328	315	339	358	374	355	382	403	420	392	422	445	465	
Lo PR	109	116	126	134	115	122	133	142	119	127	139	148	125	133	146	155	131	140	153	162	136	145	158	168	
MBh	16.6	17.0	17.8	19.0	16.3	16.6	17.4	18.5	15.9	16.2	16.9	18.1	15.5	15.8	16.5	17.6	14.7	15.0	15.7	16.8	13.6	13.9	14.5	15.5	
S/T	0.89	0.85	0.77	0.63	0.92	0.89	0.80	0.65	0.94	0.91	0.82	0.66	0.97	0.94	0.85	0.69	1.00	0.97	0.88	0.71	1.00	0.98	0.89	0.72	
ΔT	26	25	24	21	26	26	24	21	26	26	24	21	26	26	24	21	26	26	24	21	24	24	23	20	
kW	1.16	1.18	1.22	1.25	1.24	1.27	1.31	1.35	1.32	1.35	1.39	1.43	1.38	1.41	1.46	1.51	1.44	1.47	1.52	1.57	1.49	1.52	1.57	1.62	
Amps	4.2	4.3	4.4	4.6	4.5	4.6	4.8	4.9	4.9	4.9	5.0	5.2	5.2	5.3	5.5	5.7	5.5	5.7	5.8	6.0	5.9	6.0	6.2	6.4	
Hi PR	210	226	239	249	236	254	268	280	269	289	305	318	306	329	348	362	344	370	391	408	380	409	432	451	
Lo PR	105	112	122	130	111	118	129	138	116	123	134	143	122	129	141	150	127	136	148	158	132	140	153	163	

IDB: Entering Indoor Dry Bulb Temperature
 High and low pressures are measured at the liquid and suction service valves.
 Shaded area reflects AHRI conditions
 kW = Total system power
 Amps = outdoor unit amps (comp.+fan)

IDB	AIRFLOW	OUTDOOR AMBIENT TEMPERATURE												ENTERING INDOOR WET BULB TEMPERATURE											
		65°F				75°F				85°F				95°F				105°F				115°F			
		59	63	67	71	59	63	67	71	59	63	67	71	59	63	67	71	59	63	67	71	59	63	67	71
70	MBh	23.5	24.4	26.7	-	23.0	23.8	26.1	-	22.4	23.2	25.5	-	21.9	22.7	24.8	-	20.8	21.5	23.6	-	19.3	20.0	21.9	-
	S/T	0.75	0.63	0.44	-	0.78	0.65	0.45	-	0.80	0.67	0.46	-	0.83	0.69	0.48	-	0.86	0.72	0.50	-	0.87	0.72	0.50	-
	ΔT	17	15	11	-	17	15	11	-	17	15	11	-	17	15	11	-	17	15	11	-	16	14	11	-
	kW	1.65	1.68	1.73	-	1.77	1.80	1.86	-	1.87	1.91	1.97	-	1.97	2.01	2.07	-	2.04	2.09	2.15	-	2.11	2.16	2.22	-
	Amps	10.1	10.2	10.4	-	10.5	10.7	10.9	-	11.0	11.2	11.4	-	11.5	11.7	11.9	-	12.0	12.2	12.4	-	12.4	12.6	12.9	-
	Hi PR	222	239	252	-	249	268	283	-	283	305	322	-	323	347	367	-	363	391	412	-	401	432	456	-
	Lo PR	110	117	128	-	116	124	135	-	121	129	140	-	127	135	147	-	133	142	155	-	138	146	160	-
	MBh	22.8	23.7	25.9	-	22.3	23.1	25.3	-	21.8	22.6	24.7	-	21.2	22.0	24.1	-	20.2	20.9	22.9	-	18.7	19.4	21.2	-
	S/T	0.72	0.60	0.42	-	0.74	0.62	0.43	-	0.76	0.64	0.44	-	0.79	0.66	0.46	-	0.82	0.68	0.47	-	0.83	0.69	0.48	-
	ΔT	18	15	12	-	18	16	12	-	18	16	12	-	18	16	12	-	18	15	12	-	17	14	11	-
	kW	1.64	1.67	1.72	-	1.75	1.79	1.84	-	1.86	1.90	1.95	-	1.95	1.99	2.05	-	2.03	2.07	2.14	-	2.09	2.14	2.21	-
	Amps	10.0	10.1	10.3	-	10.5	10.6	10.8	-	11.0	11.1	11.4	-	11.4	11.6	11.9	-	11.9	12.1	12.3	-	12.3	12.5	12.8	-
Hi PR	220	236	250	-	247	265	280	-	280	302	319	-	319	344	363	-	359	387	408	-	397	427	451	-	
Lo PR	109	116	127	-	115	122	134	-	120	127	139	-	126	134	146	-	132	140	153	-	136	145	158	-	
MBh	21.1	21.8	23.9	-	20.6	21.3	23.4	-	20.1	20.8	22.8	-	19.6	20.3	22.3	-	18.6	19.3	21.1	-	17.3	17.9	19.6	-	
S/T	0.69	0.58	0.40	-	0.72	0.60	0.42	-	0.74	0.62	0.43	-	0.76	0.63	0.44	-	0.79	0.66	0.46	-	0.80	0.66	0.46	-	
ΔT	18	16	12	-	18	16	12	-	18	16	12	-	18	16	12	-	18	16	12	-	17	15	11	-	
kW	1.60	1.63	1.68	-	1.72	1.75	1.80	-	1.82	1.85	1.91	-	1.90	1.94	2.00	-	1.98	2.02	2.08	-	2.04	2.09	2.15	-	
Amps	9.8	10.0	10.2	-	10.3	10.4	10.6	-	10.8	11.0	11.2	-	11.2	11.4	11.7	-	11.7	11.9	12.1	-	12.1	12.3	12.6	-	
Hi PR	213	229	242	-	239	257	272	-	272	293	309	-	310	333	352	-	349	375	396	-	385	414	438	-	
Lo PR	106	112	123	-	112	119	130	-	116	123	135	-	122	130	142	-	128	136	148	-	132	141	153	-	
75	MBh	23.9	24.6	26.7	28.6	23.4	24.1	26.0	27.9	22.8	23.5	25.4	27.3	22.2	22.9	24.8	26.6	21.1	21.8	23.6	25.3	19.6	20.2	21.8	23.4
	S/T	0.86	0.77	0.58	0.37	0.89	0.79	0.60	0.39	0.91	0.81	0.62	0.40	0.94	0.84	0.64	0.41	0.98	0.87	0.66	0.42	0.98	0.88	0.67	0.43
	ΔT	20	18	15	10	20	18	15	10	20	18	15	10	20	19	15	10	20	18	15	10	19	17	14	10
	kW	1.66	1.70	1.75	1.80	1.78	1.82	1.87	1.93	1.89	1.93	1.99	2.05	1.98	2.02	2.09	2.15	2.06	2.10	2.17	2.24	2.13	2.17	2.24	2.32
	Amps	10.1	10.2	10.4	10.7	10.6	10.7	10.9	11.2	11.1	11.3	11.5	11.8	11.6	11.8	12.0	12.3	12.0	12.2	12.5	12.8	12.5	12.7	13.0	13.3
	Hi PR	224	241	255	266	252	271	286	298	286	308	325	339	326	351	370	386	367	395	417	435	405	436	460	480
	Lo PR	111	118	129	138	117	125	136	145	122	130	142	151	128	136	149	159	134	143	156	166	139	148	161	172
	MBh	23.2	23.9	25.9	27.8	22.7	23.4	25.3	27.1	22.1	22.8	24.7	26.5	21.6	22.2	24.1	25.8	20.5	21.1	22.9	24.5	19.0	19.6	21.2	22.7
	S/T	0.82	0.73	0.55	0.36	0.85	0.76	0.57	0.37	0.87	0.78	0.59	0.38	0.90	0.80	0.61	0.39	0.93	0.83	0.63	0.41	0.94	0.84	0.63	0.41
	ΔT	21	19	15	11	21	19	16	11	21	19	16	11	21	19	16	11	21	19	16	11	19	18	15	10
	kW	1.65	1.68	1.73	1.78	1.77	1.80	1.86	1.92	1.87	1.91	1.97	2.03	1.97	2.01	2.07	2.13	2.04	2.09	2.15	2.22	2.11	2.16	2.22	2.30
	Amps	10.1	10.2	10.4	10.6	10.5	10.7	10.9	11.1	11.0	11.2	11.4	11.7	11.5	11.7	11.9	12.2	12.0	12.2	12.4	12.7	12.4	12.6	12.9	13.2
Hi PR	222	239	252	263	249	268	283	295	283	305	322	336	323	347	367	382	363	391	412	430	401	432	456	475	
Lo PR	110	117	128	136	116	124	135	144	121	129	140	150	127	135	147	157	133	142	155	165	138	146	160	170	
MBh	21.4	22.1	23.9	25.6	20.9	21.6	23.3	25.0	20.4	21.0	22.8	24.4	19.9	20.5	22.2	23.8	18.9	19.5	21.1	22.7	17.5	18.1	19.6	21.0	
S/T	0.79	0.70	0.53	0.34	0.82	0.73	0.55	0.36	0.84	0.75	0.57	0.36	0.86	0.77	0.58	0.38	0.90	0.80	0.61	0.39	0.90	0.81	0.61	0.39	
ΔT	21	19	16	11	21	19	16	11	21	19	16	11	21	19	16	11	21	19	16	11	20	18	15	10	
kW	1.61	1.64	1.69	1.74	1.73	1.76	1.82	1.87	1.83	1.87	1.92	1.98	1.92	1.96	2.02	2.08	2.00	2.04	2.10	2.17	2.06	2.10	2.17	2.24	
Amps	9.9	10.0	10.2	10.4	10.3	10.5	10.7	10.9	10.9	11.0	11.2	11.5	11.3	11.5	11.7	12.0	11.8	11.9	12.2	12.5	12.2	12.4	12.7	13.0	
Hi PR	215	232	245	255	242	260	275	286	275	296	312	326	313	337	356	371	352	379	400	417	389	419	442	461	
Lo PR	107	114	124	132	113	120	131	140	117	125	136	145	123	131	143	152	129	137	150	160	133	142	155	165	

IDB: Entering Indoor Dry Bulb Temperature
 High and low pressures are measured at the liquid and suction service valves.
 Shaded area reflects ACCA (TVA) conditions
 kW = Total system power
 Amps = outdoor unit amps (comp.+fan)

IDB	AIRFLOW	OUTDOOR AMBIENT TEMPERATURE												ENTERING INDOOR WET BULB TEMPERATURE											
		65°F				75°F				85°F				95°F				105°F				115°F			
		59	63	67	71	59	63	67	71	59	63	67	71	59	63	67	71	59	63	67	71	59	63	67	71
80	MBh	24.3	24.9	26.6	28.4	23.8	24.3	26.0	27.7	23.2	23.7	25.3	27.1	22.6	23.1	24.7	26.4	21.5	22.0	23.5	25.1	19.9	20.4	21.8	23.3
	S/T	0.94	0.88	0.72	0.54	1.00	0.91	0.74	0.56	1.00	0.94	0.76	0.57	1.00	0.97	0.79	0.59	1.00	1.00	0.82	0.61	1.00	1.00	0.82	0.62
	ΔT	22	21	18	15	23	21	19	15	22	21	19	15	22	21	19	15	21	21	18	15	19	20	17	14
	kW	1.67	1.71	1.76	1.81	1.80	1.83	1.89	1.95	1.90	1.94	2.00	2.06	2.00	2.04	2.10	2.17	2.08	2.12	2.19	2.26	2.15	2.19	2.26	2.33
	Amps	10.2	10.3	10.5	10.7	10.6	10.8	11.0	11.2	11.2	11.3	11.6	11.8	11.6	11.8	12.1	12.4	12.1	12.3	12.6	12.9	12.6	12.8	13.1	13.4
	Hi PR	226	244	257	268	254	273	289	301	289	311	328	343	329	354	374	390	370	399	421	439	409	440	465	485
	Lo PR	112	119	130	139	119	126	138	147	123	131	143	153	130	138	150	160	136	144	158	168	140	149	163	174
	MBh	23.6	24.1	25.8	27.6	23.1	23.6	25.2	26.9	22.5	23.0	24.6	26.3	22.0	22.5	24.0	25.7	20.9	21.3	22.8	24.4	19.3	19.8	21.1	22.6
	S/T	0.90	0.84	0.68	0.51	0.93	0.87	0.71	0.53	0.95	0.89	0.73	0.54	0.98	0.92	0.75	0.56	1.00	0.96	0.78	0.58	1.00	0.96	0.79	0.59
	ΔT	23	22	19	15	23	22	19	15	23	22	19	15	23	22	19	16	23	22	19	15	21	21	18	14
kW	1.66	1.70	1.75	1.80	1.78	1.82	1.87	1.93	1.89	1.93	1.99	2.05	1.98	2.02	2.09	2.15	2.06	2.10	2.17	2.24	2.13	2.17	2.24	2.32	
Amps	10.1	10.2	10.4	10.7	10.6	10.7	10.9	11.2	11.1	11.3	11.5	11.8	11.6	11.8	12.0	12.3	12.0	12.2	12.5	12.8	12.5	12.7	13.0	13.3	
Hi PR	224	241	255	266	252	271	286	298	286	308	325	339	326	351	370	386	367	395	417	435	405	436	460	480	
Lo PR	111	118	129	138	117	125	136	145	122	130	142	151	128	136	149	159	134	143	156	166	139	148	161	172	
MBh	21.8	22.3	23.8	25.5	21.3	21.8	23.3	24.9	20.8	21.3	22.7	24.3	20.3	20.7	22.2	23.7	19.3	19.7	21.0	22.5	17.9	18.2	19.5	20.8	
S/T	0.86	0.81	0.66	0.49	0.90	0.84	0.68	0.51	0.92	0.86	0.70	0.52	0.95	0.89	0.72	0.54	0.98	0.92	0.75	0.56	0.99	0.93	0.76	0.57	
ΔT	23	22	19	16	24	23	20	16	24	23	20	16	24	23	20	16	23	22	20	16	22	21	18	15	
kW	1.63	1.66	1.71	1.76	1.74	1.78	1.83	1.89	1.84	1.88	1.94	2.00	1.93	1.97	2.04	2.10	2.01	2.05	2.12	2.19	2.08	2.12	2.19	2.26	
Amps	9.9	10.1	10.3	10.5	10.4	10.5	10.7	11.0	10.9	11.1	11.3	11.6	11.4	11.5	11.8	12.1	11.8	12.0	12.3	12.6	12.3	12.5	12.7	13.1	
Hi PR	217	234	247	258	244	263	277	289	278	299	315	329	316	340	359	375	356	383	404	422	393	423	447	466	
Lo PR	108	115	125	133	114	121	132	141	118	126	138	146	124	132	144	154	130	139	151	161	135	143	157	167	

85	MBh	24.8	25.2	26.4	28.2	24.2	24.7	25.8	27.6	23.6	24.1	25.2	26.9	23.0	23.5	24.6	26.2	21.9	22.3	23.4	24.9	20.3	20.7	21.6	23.1
	S/T	0.98	0.95	0.86	0.70	1.00	0.98	0.89	0.72	1.00	1.00	0.91	0.74	1.00	1.00	0.94	0.76	1.00	1.00	0.98	0.79	1.00	1.00	0.98	0.80
	ΔT	23	23	22	19	23	23	22	19	23	23	22	19	22	23	22	19	21	21	22	19	19	20	20	18
	kW	1.69	1.72	1.77	1.83	1.81	1.85	1.90	1.96	1.92	1.96	2.02	2.08	2.01	2.05	2.12	2.19	2.09	2.14	2.21	2.28	2.16	2.21	2.28	2.35
	Amps	10.2	10.3	10.5	10.8	10.7	10.8	11.1	11.3	11.2	11.4	11.6	11.9	11.7	11.9	12.1	12.4	12.2	12.4	12.6	13.0	12.7	12.9	13.1	13.5
	Hi PR	229	246	260	271	257	276	292	304	292	314	332	346	332	358	378	394	374	402	425	443	413	445	470	490
	Lo PR	113	121	132	140	120	127	139	148	125	132	145	154	131	139	152	162	137	146	159	170	142	151	165	175
	MBh	24.0	24.5	25.7	27.4	23.5	23.9	25.1	26.8	22.9	23.4	24.5	26.1	22.4	22.8	23.9	25.5	21.2	21.7	22.7	24.2	19.7	20.1	21.0	22.4
	S/T	0.94	0.91	0.82	0.66	0.97	0.94	0.85	0.69	1.00	0.96	0.87	0.71	1.00	0.99	0.90	0.73	1.00	1.00	0.93	0.76	1.00	1.00	0.94	0.76
	ΔT	24	24	23	20	25	24	23	20	25	24	23	20	24	25	23	20	23	23	23	20	21	22	21	18
kW	1.67	1.71	1.76	1.81	1.80	1.83	1.89	1.95	1.90	1.94	2.00	2.06	2.00	2.04	2.10	2.17	2.08	2.12	2.19	2.26	2.15	2.19	2.26	2.33	
Amps	10.2	10.3	10.5	10.7	10.6	10.8	11.0	11.2	11.2	11.3	11.6	11.8	11.6	11.8	12.1	12.4	12.1	12.3	12.6	12.9	12.6	12.8	13.1	13.4	
Hi PR	226	244	257	268	254	273	289	301	289	311	328	343	329	354	374	390	370	399	421	439	409	440	465	485	
Lo PR	112	119	130	139	119	126	138	147	123	131	143	153	130	138	150	160	136	144	158	168	140	149	163	174	
MBh	22.2	22.6	23.7	25.3	21.7	22.1	23.1	24.7	21.2	21.6	22.6	24.1	20.6	21.0	22.0	23.5	19.6	20.0	20.9	22.3	18.2	18.5	19.4	20.7	
S/T	0.91	0.87	0.79	0.64	0.94	0.91	0.82	0.66	0.96	0.93	0.84	0.68	0.99	0.96	0.87	0.70	1.00	0.99	0.90	0.73	1.00	1.00	0.91	0.73	
ΔT	ΔT	24	23	20	25	25	23	20	25	25	23	20	25	25	24	20	24	24	23	20	22	23	22	19	
kW	1.64	1.67	1.72	1.77	1.75	1.79	1.84	1.90	1.86	1.90	1.95	2.02	1.95	1.99	2.05	2.12	2.03	2.07	2.13	2.20	2.09	2.14	2.21	2.28	
Amps	10.0	10.1	10.3	10.5	10.5	10.6	10.8	11.0	11.0	11.1	11.4	11.6	11.4	11.6	11.9	12.1	11.9	12.1	12.3	12.6	12.3	12.5	12.8	13.1	
Hi PR	220	236	250	260	246	265	280	292	280	302	319	332	319	344	363	378	359	387	408	426	397	427	451	470	
Lo PR	109	116	127	135	115	122	134	142	120	127	139	148	126	134	146	155	132	140	153	163	136	145	158	168	

IDB: Entering Indoor Dry Bulb Temperature
 High and low pressures are measured at the liquid and suction service valves.
 Shaded area reflects AHRI conditions
 kW = Total system power
 Amps = outdoor unit amps (comp.+fan)

IDB		OUTDOOR AMBIENT TEMPERATURE												ENTERING INDOOR WET BULB TEMPERATURE											
		65°F				75°F				85°F				95°F				105°F				115°F			
		59	63	67	71	59	63	67	71	59	63	67	71	59	63	67	71	59	63	67	71	59	63	67	71
70	MBh	28.2	29.3	32.0	-	27.6	28.6	31.3	-	26.9	27.9	30.6	-	26.3	27.2	29.8	-	24.9	25.8	28.3	-	23.1	23.9	26.2	-
	S/T	0.79	0.66	0.46	-	0.82	0.68	0.47	-	0.84	0.70	0.48	-	0.86	0.72	0.50	-	0.90	0.75	0.52	-	0.90	0.75	0.52	-
	ΔT	17	15	11	-	17	15	11	-	18	15	11	-	18	15	12	-	17	15	11	-	16	14	11	-
	kW	1.99	2.03	2.09	-	2.13	2.18	2.24	-	2.26	2.30	2.37	-	2.37	2.42	2.49	-	2.46	2.51	2.59	-	2.54	2.59	2.67	-
	Amps	2.3	2.5	2.7	-	2.9	3.0	3.3	-	3.5	3.7	4.0	-	4.1	4.3	4.6	-	4.6	4.8	5.1	-	5.1	5.4	5.7	-
	Hi PR	221	237	251	-	247	266	281	-	281	303	320	-	321	345	364	-	361	388	410	-	398	429	453	-
	Lo PR	112	119	130	-	118	126	137	-	123	131	143	-	129	137	150	-	135	144	157	-	140	149	162	-
	MBh	27.4	28.4	31.1	-	26.8	27.7	30.4	-	26.1	27.1	29.7	-	25.5	26.4	28.9	-	24.2	25.1	27.5	-	22.4	23.2	25.5	-
	S/T	0.75	0.63	0.43	-	0.78	0.65	0.45	-	0.80	0.67	0.46	-	0.82	0.69	0.48	-	0.85	0.71	0.49	-	0.86	0.72	0.50	-
	ΔT	18	16	12	-	18	16	12	-	18	16	12	-	18	16	12	-	18	16	12	-	17	15	11	-
kW	1.98	2.02	2.08	-	2.12	2.16	2.22	-	2.24	2.29	2.36	-	2.35	2.40	2.47	-	2.44	2.49	2.57	-	2.52	2.57	2.65	-	
Amps	2.3	2.4	2.6	-	2.8	3.0	3.2	-	3.4	3.6	3.9	-	4.0	4.2	4.5	-	4.5	4.7	5.1	-	5.1	5.3	5.6	-	
Hi PR	218	235	248	-	245	264	278	-	279	300	317	-	317	342	361	-	357	384	406	-	394	425	448	-	
Lo PR	111	118	129	-	117	124	136	-	122	129	141	-	128	136	148	-	134	142	155	-	138	147	161	-	
MBh	25.3	26.2	28.7	-	24.7	25.6	28.1	-	24.1	25.0	27.4	-	23.5	24.4	26.7	-	22.3	23.2	25.4	-	20.7	21.5	23.5	-	
S/T	0.72	0.60	0.42	-	0.75	0.63	0.43	-	0.77	0.64	0.44	-	0.79	0.66	0.46	-	0.82	0.69	0.48	-	0.83	0.69	0.48	-	
ΔT	18	16	12	-	19	16	12	-	19	16	12	-	19	16	12	-	18	16	12	-	17	15	11	-	
kW	1.94	1.97	2.03	-	2.07	2.11	2.17	-	2.19	2.23	2.30	-	2.30	2.34	2.41	-	2.38	2.43	2.51	-	2.46	2.51	2.59	-	
Amps	2.1	2.2	2.4	-	2.6	2.8	3.0	-	3.2	3.4	3.7	-	3.7	3.9	4.2	-	4.3	4.5	4.8	-	4.8	5.0	5.3	-	
Hi PR	212	228	241	-	238	256	270	-	270	291	307	-	308	331	350	-	346	373	394	-	383	412	435	-	
Lo PR	107	114	125	-	114	121	132	-	118	126	137	-	124	132	144	-	130	138	151	-	134	143	156	-	

75	MBh	28.7	29.5	32.0	34.3	28.0	28.9	31.2	33.5	27.4	28.2	30.5	32.7	26.7	27.5	29.8	31.9	25.4	26.1	28.3	30.3	23.5	24.2	26.2	28.1
	S/T	0.89	0.80	0.61	0.39	0.93	0.83	0.63	0.40	0.95	0.85	0.64	0.41	0.98	0.88	0.66	0.43	1.00	0.91	0.69	0.44	1.00	0.92	0.69	0.45
	ΔT	20	18	15	10	20	19	15	11	20	19	15	11	20	19	15	11	20	19	15	10	18	17	14	10
	kW	2.01	2.05	2.11	2.17	2.15	2.19	2.26	2.33	2.28	2.32	2.39	2.47	2.39	2.44	2.51	2.59	2.48	2.53	2.61	2.69	2.56	2.61	2.70	2.78
	Amps	2.4	2.5	2.8	3.0	2.9	3.1	3.4	3.7	3.6	3.8	4.0	4.4	4.1	4.3	4.6	5.0	4.7	4.9	5.2	5.6	5.2	5.5	5.8	6.2
	Hi PR	223	240	253	264	250	269	284	296	284	306	323	337	324	348	368	384	364	392	414	432	402	433	457	477
	Lo PR	113	120	131	140	119	127	139	148	124	132	144	153	130	139	151	161	137	145	159	169	141	150	164	175
	MBh	27.9	28.7	31.1	33.3	27.2	28.0	30.3	32.6	26.6	27.4	29.6	31.8	25.9	26.7	28.9	31.0	24.6	25.4	27.4	29.5	22.8	23.5	25.4	27.3
	S/T	0.85	0.76	0.58	0.37	0.88	0.79	0.60	0.38	0.91	0.81	0.61	0.39	0.94	0.84	0.63	0.41	0.97	0.87	0.66	0.42	0.98	0.88	0.66	0.43
	ΔT	21	19	16	11	21	19	16	11	21	19	16	11	21	20	16	11	21	19	16	11	20	18	15	10
kW	1.99	2.03	2.09	2.15	2.14	2.18	2.24	2.31	2.26	2.30	2.37	2.45	2.37	2.42	2.49	2.57	2.46	2.51	2.59	2.67	2.54	2.59	2.67	2.76	
Amps	2.3	2.5	2.7	3.0	2.9	3.0	3.3	3.6	3.5	3.7	4.0	4.3	4.1	4.3	4.6	4.9	4.6	4.8	5.1	5.5	5.1	5.4	5.7	6.1	
Hi PR	221	237	251	261	248	266	281	293	281	303	320	334	321	345	364	380	361	388	410	427	399	429	453	472	
Lo PR	112	119	130	138	118	126	137	146	123	131	143	152	129	137	150	160	135	144	157	167	140	149	162	173	
MBh	25.7	26.5	28.7	30.8	25.1	25.9	28.0	30.0	24.5	25.2	27.3	29.3	23.9	24.6	26.7	28.6	22.7	23.4	25.3	27.2	21.1	21.7	23.5	25.2	
S/T	0.82	0.74	0.56	0.36	0.85	0.76	0.58	0.37	0.87	0.78	0.59	0.38	0.90	0.81	0.61	0.39	0.94	0.84	0.63	0.41	0.94	0.84	0.64	0.41	
ΔT	21	19	16	11	21	20	16	11	21	20	16	11	22	20	16	11	21	20	16	11	20	18	15	10	
kW	1.95	1.99	2.05	2.11	2.09	2.13	2.19	2.26	2.21	2.25	2.32	2.39	2.31	2.36	2.43	2.51	2.40	2.45	2.53	2.61	2.48	2.53	2.61	2.69	
Amps	2.1	2.3	2.5	2.8	2.7	2.8	3.1	3.4	3.3	3.5	3.7	4.0	3.8	4.0	4.3	4.6	4.4	4.6	4.9	5.2	4.9	5.1	5.4	5.8	
Hi PR	214	230	243	254	240	258	273	285	273	294	310	324	311	335	353	369	350	376	398	415	387	416	439	458	
Lo PR	109	115	126	134	115	122	133	142	119	127	138	147	125	133	145	155	131	140	152	162	136	144	158	168	

IDB: Entering Indoor Dry Bulb Temperature
 High and low pressures are measured at the liquid and suction service valves.
 Shaded area reflects ACCA (TVA) conditions
 kW = Total system power
 Amps = outdoor unit amps (comp.+fan)

EXPANDED COOLING DATA — SSZ140301B* / CA*F3642*6A*+TXV / MBR1600** -1 (CONT.)

		OUTDOOR AMBIENT TEMPERATURE																							
		65°F			75°F			85°F			95°F				105°F				115°F						
IDB	AIRFLOW	59	63	67	71	59	63	67	71	59	63	67	71	59	63	67	71	59	63	67	71	59	63	67	71
1181	MBh	29.2	29.8	31.9	34.1	28.5	29.2	31.1	33.3	27.9	28.5	30.4	32.5	27.2	27.8	29.7	31.7	25.8	26.4	28.2	30.1	23.9	24.4	26.1	27.9
	S/T	1.00	0.92	0.75	0.56	1.00	0.95	0.78	0.58	1.00	1.00	0.80	0.59	1.00	1.00	0.82	0.61	1.00	1.00	0.85	0.64	1.00	1.00	0.86	0.64
	ΔT	23	21	19	15	22	22	19	15	21	22	19	15	21	22	19	15	20	21	19	15	19	19	17	14
	kW	2.02	2.06	2.12	2.19	2.17	2.21	2.28	2.35	2.29	2.34	2.41	2.49	2.40	2.45	2.53	2.61	2.50	2.55	2.63	2.71	2.58	2.64	2.72	2.80
	Amps	2.4	2.6	2.8	3.1	3.0	3.2	3.4	3.7	3.7	3.9	4.1	4.5	4.2	4.4	4.7	5.1	4.8	5.0	5.3	5.7	5.3	5.6	5.9	6.3
80	Hi PR	225	242	256	267	253	272	287	299	287	309	326	340	327	352	372	388	368	396	418	436	407	438	462	482
	Lo PR	114	121	133	141	121	128	140	149	125	133	146	155	132	140	153	163	138	147	160	171	143	152	166	177
	MBh	28.4	29.0	31.0	33.1	27.7	28.3	30.2	32.3	27.0	27.6	29.5	31.6	26.4	27.0	28.8	30.8	25.1	25.6	27.4	29.2	23.2	23.7	25.3	27.1
	S/T	0.94	0.88	0.71	0.53	0.97	0.91	0.74	0.55	0.99	0.93	0.76	0.57	1.00	0.96	0.78	0.59	1.00	1.00	0.81	0.61	1.00	1.00	0.82	0.61
	ΔT	23	22	19	15	24	23	20	16	24	23	20	16	23	23	20	16	22	22	19	16	20	21	18	15
919	kW	2.01	2.05	2.11	2.17	2.15	2.19	2.26	2.33	2.28	2.32	2.39	2.47	2.39	2.44	2.51	2.59	2.48	2.53	2.61	2.69	2.56	2.61	2.70	2.78
	Amps	2.4	2.5	2.8	3.0	2.9	3.1	3.4	3.7	3.6	3.8	4.0	4.4	4.1	4.3	4.6	5.0	4.7	4.9	5.2	5.6	5.2	5.5	5.8	6.2
	Hi PR	223	240	253	264	250	269	284	296	284	306	323	337	324	348	368	384	364	392	414	432	403	433	457	477
	Lo PR	113	120	131	140	119	127	139	148	124	132	144	154	130	139	151	161	137	145	159	169	141	150	164	175
	MBh	26.2	26.7	28.6	30.5	25.6	26.1	27.9	29.8	25.0	25.5	27.2	29.1	24.3	24.9	26.6	28.4	23.1	23.6	25.3	27.0	21.4	21.9	23.4	25.0
85	S/T	0.90	0.85	0.69	0.51	0.93	0.88	0.71	0.53	0.96	0.90	0.73	0.55	0.99	0.93	0.75	0.56	1.03	0.96	0.78	0.59	1.04	0.97	0.79	0.59
	ΔT	24	23	20	16	24	23	20	16	24	23	20	16	24	23	20	16	24	23	20	16	22	21	18	15
	kW	2.04	2.08	2.14	2.20	2.18	2.23	2.29	2.36	2.31	2.36	2.43	2.50	2.42	2.47	2.55	2.63	2.52	2.57	2.65	2.74	2.60	2.66	2.74	2.83
	Amps	2.5	2.7	2.9	3.2	3.1	3.3	3.5	3.8	3.7	3.9	4.2	4.5	4.3	4.5	4.8	5.2	4.9	5.1	5.4	5.8	5.4	5.7	6.0	6.4
	Hi PR	227	245	258	269	255	274	290	302	290	312	330	344	330	356	375	392	372	400	422	440	411	442	467	487
1181	Lo PR	115	123	134	143	122	130	141	151	127	135	147	157	133	141	154	164	139	148	162	172	144	153	167	178
	MBh	28.9	29.4	30.8	32.9	28.2	28.7	30.1	32.1	27.5	28.0	29.4	31.3	26.8	27.4	28.7	30.6	25.5	26.0	27.2	29.0	23.6	24.1	25.2	26.9
	S/T	0.98	0.95	0.85	0.69	1.00	0.98	0.88	0.72	1.00	1.00	0.91	0.74	1.00	1.00	0.94	0.76	1.00	1.00	0.97	0.79	1.00	1.00	0.98	0.80
	ΔT	25	24	23	20	25	25	23	20	24	25	23	20	24	24	23	20	22	23	23	20	21	21	22	19
	kW	2.02	2.06	2.12	2.19	2.17	2.21	2.28	2.35	2.29	2.34	2.41	2.49	2.40	2.45	2.53	2.61	2.50	2.55	2.63	2.71	2.58	2.64	2.72	2.80
1050	Amps	2.4	2.6	2.8	3.1	3.0	3.2	3.4	3.7	3.7	3.9	4.1	4.5	4.2	4.4	4.7	5.1	4.8	5.0	5.3	5.7	5.3	5.6	5.9	6.3
	Hi PR	225	242	256	267	253	272	287	299	287	309	326	340	327	352	372	388	368	396	418	436	407	438	462	482
	Lo PR	114	121	133	141	121	128	140	149	125	133	146	155	132	140	153	163	138	147	160	171	143	152	166	177
	MBh	26.6	27.1	28.4	30.3	26.0	26.5	27.8	29.6	25.4	25.9	27.1	28.9	24.8	25.3	26.4	28.2	23.5	24.0	25.1	26.8	21.8	22.2	23.3	24.8
	S/T	0.95	0.91	0.82	0.67	0.98	0.95	0.85	0.69	1.00	0.97	0.87	0.71	1.00	1.00	0.90	0.73	1.00	1.00	0.94	0.76	1.00	1.00	0.94	0.77
919	ΔT	25	25	23	20	25	25	24	21	25	25	24	21	25	25	24	21	24	24	24	20	22	22	22	19
	kW	1.98	2.02	2.08	2.14	2.12	2.16	2.22	2.29	2.24	2.29	2.35	2.43	2.35	2.40	2.47	2.55	2.44	2.49	2.57	2.65	2.52	2.57	2.65	2.74
	Amps	2.3	2.4	2.6	2.9	2.8	3.0	3.2	3.5	3.4	3.6	3.9	4.2	4.0	4.2	4.5	4.8	4.5	4.7	5.0	5.4	5.1	5.3	5.6	6.0
	Hi PR	218	235	248	259	245	264	278	290	279	300	317	330	317	341	361	376	357	384	406	423	394	424	448	467
	Lo PR	111	118	129	137	117	124	136	145	122	129	141	150	128	136	148	158	134	142	155	166	138	147	161	171

kW = Total system power
Amps = outdoor unit amps (comp.+fan)

Shaded area reflects AHRI conditions

IDB: Entering Indoor Dry Bulb Temperature
High and low pressures are measured at the liquid and suction service valves.

IDB	AIRFLOW	OUTDOOR AMBIENT TEMPERATURE												ENTERING INDOOR WET BULB TEMPERATURE												kW = Total system power Amps = outdoor unit amps (comp.+fan)		
		65°F				75°F				85°F				95°F				105°F				115°F						
		59	63	67	71	59	63	67	71	59	63	67	71	59	63	67	71	59	63	67	71	59	63	67	71			
70	1050	MBh	30.4	31.5	34.5	-	29.7	30.7	33.7	-	29.0	30.0	32.9	-	28.2	29.3	32.1	-	26.8	27.8	30.5	-	24.9	25.8	28.2	-	-	
		S/T	0.71	0.59	0.41	-	0.73	0.61	0.42	-	0.75	0.63	0.43	-	0.77	0.65	0.45	-	0.80	0.67	0.46	-	0.81	0.68	0.47	-		
	1175	ΔT	19	16	12	-	19	16	12	-	19	16	12	-	19	17	13	-	19	16	12	-	18	15	12	-	-	
		kW	2.68	2.68	2.68	-	2.68	2.68	2.68	-	2.69	2.69	2.69	-	2.69	2.69	2.69	-	2.69	2.69	2.69	-	2.69	2.69	2.69	-		
	1350	Amps	10.9	10.9	10.9	-	10.9	10.9	10.9	-	10.9	11.0	11.0	-	11.0	11.0	11.0	-	11.0	11.0	11.1	-	11.1	11.1	11.1	-	-	
		Hi PR	211	228	240	-	237	255	270	-	270	290	307	-	307	331	349	-	346	372	393	-	382	411	434	-		
	75	1050	Lo PR	104	110	120	-	110	117	127	-	114	121	132	-	120	127	139	-	125	133	146	-	130	138	151	-	-
			MBh	32.0	33.1	36.3	-	31.2	32.4	35.5	-	30.5	31.6	34.6	-	29.7	30.8	33.8	-	28.2	29.3	32.1	-	26.2	27.1	29.7	-	
1175		S/T	0.74	0.62	0.43	-	0.76	0.64	0.44	-	0.78	0.65	0.45	-	0.81	0.67	0.47	-	0.84	0.70	0.49	-	0.85	0.71	0.49	-		
		ΔT	18	16	12	-	19	16	12	-	19	16	12	-	19	16	12	-	19	16	12	-	17	15	11	-		
1350		kW	2.68	2.68	2.68	-	2.68	2.68	2.69	-	2.69	2.69	2.69	-	2.69	2.69	2.69	-	2.69	2.69	2.69	-	2.69	2.69	2.69	-	-	
		Amps	10.9	10.9	10.9	-	10.9	10.9	10.9	-	11.0	11.0	11.0	-	11.0	11.0	11.0	-	11.0	11.0	11.1	-	11.1	11.1	11.1	-		
1050		Hi PR	214	230	243	-	242	261	275	-	275	296	313	-	314	338	356	-	353	380	401	-	390	420	443	-	-	
		Lo PR	106	113	123	-	112	119	130	-	116	124	135	-	122	130	142	-	128	136	149	-	132	141	154	-		
1175	MBh	32.9	34.1	37.4	-	32.2	33.3	36.5	-	31.4	32.5	35.7	-	30.6	31.7	34.8	-	29.1	30.2	33.0	-	27.0	27.9	30.6	-	-		
	S/T	0.77	0.65	0.45	-	0.80	0.67	0.46	-	0.82	0.69	0.47	-	0.85	0.71	0.49	-	0.88	0.73	0.51	-	0.89	0.74	0.51	-			
1350	ΔT	17	15	11	-	18	15	12	-	18	15	12	-	18	15	12	-	17	15	11	-	16	14	11	-	-		
	kW	2.68	2.68	2.68	-	2.68	2.68	2.69	-	2.69	2.69	2.69	-	2.69	2.69	2.69	-	2.69	2.69	2.69	-	2.69	2.69	2.69	-			
1050	Amps	10.9	10.9	10.9	-	10.9	10.9	10.9	-	11.0	11.0	11.0	-	11.0	11.0	11.0	-	11.0	11.0	11.1	-	11.1	11.1	11.1	-	-		
	Hi PR	218	235	248	-	245	263	278	-	278	299	316	-	317	341	360	-	356	384	405	-	394	424	447	-			
1175	Lo PR	107	114	124	-	113	120	131	-	117	125	136	-	123	131	143	-	129	137	150	-	134	142	155	-	-		
	MBh	30.9	31.8	34.4	36.9	30.2	31.1	33.6	36.1	29.4	30.3	32.8	35.2	28.7	29.6	32.0	34.4	27.3	28.1	30.4	32.6	25.3	26.0	28.2	30.2			
1050	S/T	0.80	0.72	0.54	0.35	0.83	0.74	0.56	0.36	0.85	0.76	0.58	0.37	0.88	0.79	0.60	0.38	0.91	0.82	0.62	0.40	0.92	0.82	0.62	0.40			
	ΔT	22	20	16	11	22	20	17	11	22	20	17	11	22	20	17	11	22	20	16	11	20	19	15	11			
1175	kW	2.68	2.68	2.68	2.68	2.68	2.68	2.69	2.69	2.69	2.69	2.69	2.69	2.69	2.69	2.69	2.69	2.69	2.69	2.69	2.69	2.69	2.69	2.69	2.69			
	Amps	10.9	10.9	10.9	10.9	10.9	10.9	10.9	10.9	10.9	11.0	11.0	11.0	11.0	11.0	11.0	11.0	11.0	11.0	11.1	11.1	11.1	11.1	11.1	11.1			
1350	Hi PR	218	235	248	258	245	263	278	290	278	299	316	330	317	341	360	376	356	384	405	422	394	424	448	467			
	Lo PR	107	114	124	132	113	120	131	140	117	125	136	145	123	131	143	153	129	138	150	160	134	142	155	165			
1050	MBh	33.5	34.5	37.3	40.0	32.7	33.7	36.4	39.1	31.9	32.9	35.6	38.2	31.1	32.1	34.7	37.3	29.6	30.5	33.0	35.4	27.4	28.2	30.5	32.8			
	S/T	0.88	0.79	0.59	0.38	0.91	0.81	0.62	0.40	0.93	0.83	0.63	0.41	0.96	0.86	0.65	0.42	1.00	0.89	0.68	0.44	1.00	0.90	0.68	0.44			
1175	ΔT	20	18	15	10	20	19	15	11	20	19	15	11	20	19	15	11	20	19	15	10	19	17	14	10			
	kW	2.68	2.68	2.68	2.68	2.68	2.68	2.69	2.69	2.69	2.69	2.69	2.69	2.69	2.69	2.69	2.69	2.69	2.69	2.69	2.69	2.69	2.69	2.69	2.69			
1350	Amps	10.9	10.9	10.9	10.9	10.9	10.9	10.9	11.0	11.0	11.0	11.0	11.0	11.0	11.0	11.1	11.1	11.0	11.0	11.1	11.1	11.1	11.1	11.1	11.1			
	Hi PR	220	237	250	261	247	266	281	293	281	302	319	333	320	344	364	379	360	387	409	427	398	428	452	471			
1050	Lo PR	108	115	125	134	114	121	133	141	119	126	138	147	125	133	145	154	131	139	152	161	135	144	157	167			

IDB: Entering Indoor Dry Bulb Temperature

High and low pressures are measured at the liquid and suction service valves.

Shaded area reflects ACCA (TVA) conditions

kW = Total system power
Amps = outdoor unit amps (comp.+fan)

		OUTDOOR AMBIENT TEMPERATURE																								
		65°F				75°F				85°F				95°F				105°F				115°F				
		59	63	67	71	59	63	67	71	59	63	67	71	59	63	67	71	59	63	67	71	59	63	67	71	
80	1050	MBh	31.4	32.1	34.3	36.7	30.7	31.4	33.5	35.8	30.0	30.6	32.7	35.0	29.2	29.9	31.9	34.1	27.8	28.4	30.3	32.4	25.7	26.3	28.1	30.0
		S/T	0.88	0.83	0.67	0.50	0.91	0.86	0.70	0.52	0.93	0.88	0.71	0.53	0.97	0.91	0.74	0.55	1.00	0.94	0.76	0.57	1.01	0.95	0.77	0.58
		ΔT	24	23	20	16	25	23	20	16	25	24	20	16	25	24	21	16	24	23	20	16	23	22	19	15
		kW	2.68	2.68	2.68	2.68	2.68	2.68	2.69	2.69	2.69	2.69	2.69	2.69	2.69	2.69	2.69	2.69	2.69	2.69	2.69	2.69	2.69	2.69	2.69	2.69
		Amps	10.9	10.9	10.9	10.9	10.9	10.9	10.9	11.0	10.9	11.0	11.0	11.0	11.0	11.0	11.0	11.1	11.0	11.0	11.0	11.1	11.1	11.1	11.1	11.1
	1175	Hi PR	216	232	245	256	242	261	275	287	275	296	313	326	314	338	356	372	353	380	401	418	390	420	443	462
		Lo PR	106	113	123	131	112	119	130	138	116	124	135	144	122	130	142	151	128	136	149	158	132	141	154	164
		MBh	33.1	33.8	36.1	38.6	32.3	33.0	35.3	37.7	31.5	32.2	34.4	36.8	30.8	31.4	33.6	35.9	29.2	29.9	31.9	34.1	27.1	27.7	29.6	31.6
		S/T	0.92	0.86	0.70	0.52	0.95	0.89	0.73	0.54	0.98	0.92	0.74	0.56	1.00	0.94	0.77	0.57	1.00	0.98	0.80	0.60	1.00	0.99	0.80	0.60
		ΔT	24	23	20	16	24	23	20	16	24	23	20	16	24	23	20	16	23	23	20	16	21	21	19	15
1350	kW	2.68	2.68	2.68	2.68	2.68	2.68	2.69	2.69	2.69	2.69	2.69	2.69	2.69	2.69	2.69	2.69	2.69	2.69	2.69	2.69	2.69	2.69	2.69	2.69	
	Amps	10.9	10.9	10.9	10.9	10.9	10.9	10.9	11.0	11.0	11.0	11.0	11.0	11.0	11.0	11.0	11.1	11.0	11.0	11.0	11.1	11.1	11.1	11.1	11.2	
	Hi PR	220	237	250	261	247	266	281	293	281	302	319	333	320	344	364	379	360	387	409	427	398	428	452	472	
	Lo PR	108	115	125	134	114	121	133	141	119	126	138	147	125	133	145	154	131	139	152	162	135	144	157	167	
	MBh	34.1	34.8	37.2	39.8	33.3	34.0	36.3	38.8	32.5	33.2	35.5	37.9	31.7	32.4	34.6	37.0	30.1	30.8	32.9	35.1	27.9	28.5	30.5	32.6	

85	1050	MBh	32.0	32.6	34.1	36.4	31.2	31.8	33.3	35.6	30.5	31.1	32.6	34.7	29.7	30.3	31.8	33.9	28.3	28.8	30.2	32.2	26.2	26.7	27.9	29.8
		S/T	0.92	0.89	0.80	0.65	0.96	0.92	0.83	0.68	0.98	0.95	0.85	0.69	1.00	0.98	0.88	0.71	1.00	1.00	0.91	0.74	1.00	1.00	0.92	0.75
		ΔT	26	25	24	21	26	26	24	21	26	26	24	21	26	26	24	21	25	25	24	21	23	23	23	20
		kW	2.68	2.68	2.68	2.68	2.68	2.68	2.69	2.69	2.69	2.69	2.69	2.69	2.69	2.69	2.69	2.69	2.69	2.69	2.69	2.69	2.69	2.69	2.69	2.69
		Amps	10.9	10.9	10.9	10.9	10.9	10.9	10.9	11.0	11.0	11.0	11.0	11.0	11.0	11.0	11.0	11.1	11.0	11.0	11.0	11.1	11.1	11.1	11.1	11.1
	1175	Hi PR	218	235	248	258	245	263	278	290	278	299	316	330	317	341	360	375	356	384	405	422	394	424	447	467
		Lo PR	107	114	124	132	113	120	131	140	117	125	136	145	123	131	143	153	129	137	150	160	134	142	155	165
		MBh	33.7	34.3	35.9	38.3	32.9	33.5	35.1	37.5	32.1	32.7	34.3	36.6	31.3	31.9	33.4	35.7	29.7	30.3	31.8	33.9	27.6	28.1	29.4	31.4
		S/T	0.96	0.93	0.84	0.68	1.00	0.96	0.87	0.70	1.00	0.99	0.89	0.72	1.00	1.00	0.92	0.75	1.00	1.00	0.95	0.77	1.00	1.00	0.96	0.78
		ΔT	25	25	24	20	26	25	24	21	25	25	24	21	25	25	24	21	23	24	24	21	22	22	22	19
1350	kW	2.68	2.68	2.68	2.68	2.68	2.69	2.69	2.69	2.69	2.69	2.69	2.69	2.69	2.69	2.69	2.69	2.69	2.69	2.69	2.69	2.69	2.69	2.69	2.69	
	Amps	10.9	10.9	10.9	10.9	10.9	10.9	10.9	11.0	11.0	11.0	11.0	11.0	11.0	11.0	11.0	11.1	11.0	11.0	11.0	11.1	11.1	11.1	11.1	11.2	
	Hi PR	222	239	253	264	250	269	284	296	284	305	323	336	323	348	367	383	364	391	413	431	402	432	457	476	
	Lo PR	109	116	127	135	115	123	134	143	120	127	139	148	126	134	146	156	132	140	153	163	136	145	158	169	
	MBh	34.7	35.3	37.0	39.5	33.9	34.5	36.2	38.6	33.1	33.7	35.3	37.7	32.3	32.9	34.4	36.7	30.6	31.2	32.7	34.9	28.4	28.9	30.3	32.3	

IDB: Entering Indoor Dry Bulb Temperature
 High and low pressures are measured at the liquid and suction service valves.
 Shaded area reflects AHRI conditions
 kW = Total system power
 Amps = outdoor unit amps (comp.+fan)

IDB	AIRFLOW	OUTDOOR AMBIENT TEMPERATURE																								
		65°F				75°F				85°F				95°F				105°F				115°F				
		59	63	67	71	59	63	67	71	59	63	67	71	59	63	67	71	59	63	67	71	59	63	67	71	
70	1575	MBh	39.2	40.6	44.5	-	38.3	39.7	43.5	-	37.4	38.7	42.4	-	36.5	37.8	41.4	-	34.6	35.9	39.3	-	32.1	33.3	36.4	-
		S/T	0.77	0.65	0.45	-	0.80	0.67	0.46	-	0.82	0.69	0.48	-	0.85	0.71	0.49	-	0.88	0.74	0.51	-	0.89	0.74	0.51	-
		ΔT	18	15	12	-	18	16	12	-	18	16	12	-	18	16	12	-	18	15	12	-	17	14	11	-
		kW	2.65	2.71	2.78	-	2.84	2.90	2.98	-	3.01	3.07	3.16	-	3.15	3.22	3.31	-	3.28	3.34	3.45	-	3.38	3.45	3.56	-
		Amps	9.7	9.9	10.2	-	10.4	10.7	11.0	-	11.3	11.6	12.0	-	12.1	12.4	12.8	-	12.8	13.1	13.6	-	13.6	13.9	14.4	-
	Hi PR	218	234	247	-	244	263	277	-	278	299	315	-	316	340	359	-	356	383	404	-	393	423	447	-	
	Lo PR	107	114	125	-	113	121	132	-	118	125	137	-	124	132	144	-	130	138	151	-	134	143	156	-	
	MBh	38.1	39.4	43.2	-	37.2	38.5	42.2	-	36.3	37.6	41.2	-	35.4	36.7	40.2	-	33.6	34.9	38.2	-	31.2	32.3	35.4	-	
	S/T	0.74	0.62	0.43	-	0.77	0.64	0.44	-	0.79	0.66	0.45	-	0.81	0.68	0.47	-	0.84	0.70	0.49	-	0.85	0.71	0.49	-	
	ΔT	18	16	12	-	19	16	12	-	19	16	12	-	19	16	12	-	19	16	12	-	17	15	11	-	
1225	kW	2.63	2.69	2.76	-	2.82	2.88	2.96	-	2.98	3.04	3.14	-	3.13	3.19	3.29	-	3.25	3.32	3.42	-	3.36	3.43	3.53	-	
	Amps	9.6	9.8	10.1	-	10.4	10.6	10.9	-	11.2	11.5	11.8	-	12.0	12.2	12.6	-	12.7	13.0	13.4	-	13.4	13.8	14.2	-	
	Hi PR	215	232	245	-	242	260	275	-	275	296	312	-	313	337	356	-	352	379	400	-	389	419	442	-	
	Lo PR	106	113	123	-	112	120	130	-	117	124	136	-	123	130	142	-	129	137	149	-	133	141	154	-	
	MBh	35.1	36.4	39.9	-	34.3	35.6	39.0	-	33.5	34.7	38.0	-	32.7	33.9	37.1	-	31.0	32.2	35.2	-	28.8	29.8	32.7	-	
S/T	0.71	0.59	0.41	-	0.74	0.62	0.43	-	0.76	0.63	0.44	-	0.78	0.65	0.45	-	0.81	0.68	0.47	-	0.82	0.68	0.47	-		
ΔT	19	16	12	-	19	16	12	-	19	16	13	-	19	17	13	-	19	16	12	-	18	15	12	-		

75	1575	MBh	39.9	41.0	44.4	47.7	38.9	40.1	43.4	46.6	38.0	39.1	42.4	45.5	37.1	38.2	41.3	44.4	35.2	36.3	39.3	42.1	32.6	33.6	36.4	39.0	
		S/T	0.88	0.79	0.60	0.38	0.91	0.82	0.62	0.40	0.94	0.84	0.63	0.41	0.97	0.86	0.65	0.42	1.00	0.90	0.68	0.44	1.00	0.90	0.68	0.44	
		ΔT	20	19	15	11	21	19	16	11	21	19	16	11	21	19	16	11	21	21	19	16	11	19	18	15	10
		kW	2.67	2.73	2.80	2.89	2.86	2.92	3.01	3.10	3.03	3.09	3.18	3.28	3.18	3.18	3.24	3.34	3.45	3.30	3.37	3.47	3.58	3.41	3.48	3.59	3.70
		Amps	9.8	10.0	10.3	10.7	10.5	10.8	11.1	11.5	11.4	11.7	12.1	12.5	12.2	12.2	12.5	12.9	13.3	12.9	13.3	13.7	14.2	13.7	14.0	14.5	15.0
	Hi PR	220	236	250	260	247	265	280	292	280	302	319	332	319	344	363	379	359	359	387	408	426	397	427	451	471	
	Lo PR	108	115	126	134	115	122	133	142	119	127	138	147	125	133	145	155	131	131	140	152	162	136	144	158	168	
	MBh	38.7	39.8	43.1	46.3	37.8	38.9	42.1	45.2	36.9	38.0	41.1	44.1	36.0	37.1	40.1	43.1	34.2	35.2	38.1	40.9	31.7	32.6	35.3	37.9		
	S/T	0.84	0.75	0.57	0.37	0.87	0.78	0.59	0.38	0.89	0.80	0.60	0.39	0.92	0.82	0.62	0.40	0.96	0.86	0.65	0.42	0.96	0.86	0.65	0.42		
	ΔT	21	20	16	11	22	20	16	11	22	20	16	11	22	20	16	11	22	21	20	16	11	20	18	15	10	
1225	kW	2.65	2.71	2.78	2.87	2.84	2.90	2.98	3.07	3.01	3.07	3.16	3.26	3.15	3.22	3.32	3.42	3.28	3.34	3.45	3.56	3.38	3.45	3.56	3.68		
	Amps	9.7	9.9	10.2	10.6	10.4	10.7	11.0	11.4	11.3	11.6	12.0	12.4	12.1	12.4	12.8	13.2	12.8	13.1	13.6	14.1	13.6	13.9	14.4	14.9		
	Hi PR	218	234	247	258	244	263	277	289	278	299	316	329	316	340	359	375	356	356	383	404	422	393	423	447	466	
	Lo PR	107	114	125	133	113	121	132	140	118	125	137	146	124	132	144	153	130	130	138	151	161	134	143	156	166	
	MBh	35.7	36.8	39.8	42.7	34.9	35.9	38.9	41.7	34.1	35.1	38.0	40.7	33.2	34.2	37.0	39.7	31.6	32.5	35.2	37.8	29.2	30.1	32.6	35.0		
S/T	0.81	0.72	0.55	0.35	0.84	0.75	0.57	0.37	0.86	0.77	0.58	0.37	0.89	0.79	0.60	0.39	0.92	0.82	0.62	0.40	0.93	0.83	0.63	0.40			
ΔT	22	20	16	11	22	20	17	11	22	20	17	11	22	20	17	12	22	22	20	16	11	20	19	15	11		

IDB: Entering Indoor Dry Bulb Temperature
 High and low pressures are measured at the liquid and suction service valves.
 Shaded area reflects ACCA (TVA) conditions
 kW = Total system power
 Amps = outdoor unit amps (comp.+fan)

IDB	AIRFLOW	OUTDOOR AMBIENT TEMPERATURE																							
		65°F				75°F				85°F				95°F				105°F				115°F			
		59	63	67	71	59	63	67	71	59	63	67	71	59	63	67	71	59	63	67	71	59	63	67	71
	MBh	46.7	47.7	50.9	54.4	45.6	46.6	49.7	53.2	44.5	45.5	48.6	51.9	43.4	44.3	47.4	50.6	41.2	42.1	45.0	48.1	38.2	39.0	41.7	44.6
	S/T	0.95	0.89	0.73	0.54	1.00	0.92	0.75	0.56	1.00	0.95	0.77	0.58	1.00	1.00	0.80	0.60	1.00	1.00	0.83	0.62	1.00	1.00	0.83	0.62
	ΔT	2.0	2.2	1.9	1.6	2.4	2.3	2.0	1.6	2.3	2.3	2.0	1.6	2.3	2.3	2.0	1.6	2.2	2.2	2.0	1.6	2.0	2.1	1.8	1.5
1744	kW	3.03	3.08	3.18	3.27	3.24	3.31	3.41	3.51	3.43	3.51	3.61	3.73	3.60	3.68	3.79	3.91	3.75	3.83	3.95	4.07	3.87	3.95	4.08	4.21
	Amps	6.1	6.4	6.7	7.1	7.0	7.3	7.6	8.1	8.0	8.3	8.7	9.2	8.8	9.2	9.6	10.2	9.7	10.1	10.6	11.2	10.6	11.0	11.5	12.1
	Hi PR	221	238	252	262	248	267	282	294	282	304	321	335	322	346	366	381	362	390	411	429	400	430	454	474
	Lo PR	108	115	125	134	114	121	133	141	119	126	138	147	125	133	145	154	131	139	152	162	135	144	157	167
	MBh	45.3	46.3	49.5	52.9	44.2	45.2	48.3	51.6	43.2	44.1	47.2	50.4	42.1	43.1	46.0	49.2	40.0	40.9	43.7	46.7	37.1	37.9	40.5	43.3
	S/T	0.91	0.85	0.69	0.52	0.94	0.88	0.72	0.54	0.96	0.90	0.74	0.55	0.99	0.93	0.76	0.57	1.00	0.97	0.79	0.59	1.00	0.98	0.79	0.59
	ΔT	2.4	2.3	2.0	1.6	2.5	2.4	2.1	1.6	2.5	2.4	2.1	1.6	2.5	2.4	2.1	1.7	2.4	2.3	2.0	1.6	2.2	2.2	1.9	1.5
80	kW	3.00	3.06	3.15	3.25	3.22	3.28	3.38	3.49	3.41	3.48	3.58	3.70	3.58	3.65	3.76	3.88	3.72	3.80	3.92	4.04	3.84	3.92	4.05	4.18
	Amps	6.0	6.3	6.6	7.0	6.9	7.1	7.5	8.0	7.9	8.2	8.6	9.1	8.7	9.1	9.5	10.1	9.6	9.9	10.4	11.0	10.4	10.8	11.3	11.9
	Hi PR	219	236	249	260	246	265	279	291	280	301	318	332	319	343	362	378	358	386	407	425	396	426	450	469
	Lo PR	107	114	124	132	113	120	131	140	117	125	136	145	123	131	143	153	129	138	150	160	134	142	155	165
	MBh	41.8	42.7	45.6	48.8	40.8	41.7	44.6	47.7	39.9	40.7	43.5	46.5	38.9	39.7	42.5	45.4	36.9	37.8	40.3	43.1	34.2	35.0	37.4	39.9
	S/T	0.87	0.82	0.67	0.50	0.91	0.85	0.69	0.52	0.93	0.87	0.71	0.53	0.96	0.90	0.73	0.55	1.00	0.93	0.76	0.57	1.00	0.94	0.77	0.57
	ΔT	2.5	2.4	2.1	1.7	2.5	2.4	2.1	1.7	2.5	2.4	2.1	1.7	2.5	2.4	2.1	1.7	2.5	2.4	2.1	1.7	2.3	2.2	1.9	1.6
1356	kW	2.94	2.99	3.08	3.17	3.14	3.21	3.30	3.40	3.33	3.40	3.50	3.61	3.49	3.56	3.67	3.79	3.63	3.71	3.82	3.94	3.75	3.83	3.95	4.08
	Amps	5.7	6.0	6.3	6.7	6.6	6.8	7.2	7.6	7.5	7.8	8.2	8.7	8.4	8.7	9.1	9.6	9.2	9.5	10.0	10.6	10.0	10.4	10.9	11.5
	Hi PR	213	229	242	252	239	257	271	283	271	292	308	322	309	333	351	366	348	374	395	412	384	413	436	455
	Lo PR	104	110	121	128	110	117	127	136	114	121	132	141	120	127	139	148	125	133	146	155	130	138	151	160

	MBh	47.5	48.4	50.7	54.1	46.4	47.3	49.5	52.8	45.3	46.1	48.3	51.6	44.2	45.0	47.1	50.3	42.0	42.8	44.8	47.8	38.9	39.6	41.5	44.3
	S/T	1.00	0.96	0.87	0.70	1.00	1.00	0.90	0.73	1.00	1.00	0.92	0.75	1.00	1.00	0.95	0.77	1.00	1.00	0.99	0.80	1.00	1.00	1.00	0.81
	ΔT	2.5	2.5	2.3	2.0	2.4	2.5	2.3	2.0	2.4	2.4	2.4	2.0	2.3	2.4	2.4	2.0	2.2	2.3	2.3	2.0	2.0	2.1	2.2	1.9
1744	kW	3.05	3.11	3.20	3.30	3.27	3.33	3.43	3.54	3.46	3.53	3.64	3.76	3.63	3.71	3.82	3.95	3.78	3.86	3.98	4.11	3.90	3.99	4.11	4.25
	Amps	6.2	6.5	6.8	7.2	7.1	7.4	7.8	8.2	8.1	8.4	8.8	9.4	9.0	9.3	9.8	10.3	9.9	10.2	10.7	11.3	10.7	11.1	11.6	12.3
	Hi PR	224	241	254	265	251	270	285	297	285	307	324	338	325	350	369	385	366	393	415	433	404	435	459	479
	Lo PR	109	116	127	135	115	123	134	143	120	127	139	148	126	134	146	156	132	140	153	163	136	145	158	169
	MBh	46.1	47.0	49.2	52.5	45.0	45.9	48.1	51.3	43.9	44.8	46.9	50.1	42.9	43.7	45.8	48.8	40.7	41.5	43.5	46.4	37.7	38.5	40.3	43.0
	S/T	0.95	0.92	0.83	0.67	0.99	0.95	0.86	0.70	1.00	0.97	0.88	0.71	1.00	1.00	0.91	0.74	1.00	1.00	0.94	0.76	1.00	1.00	0.95	0.77
	ΔT	2.6	2.6	2.4	2.1	2.6	2.6	2.4	2.1	2.6	2.6	2.4	2.1	2.5	2.6	2.5	2.1	2.4	2.5	2.4	2.1	2.2	2.3	2.3	2.0
1550	kW	3.03	3.08	3.18	3.27	3.24	3.31	3.41	3.51	3.43	3.51	3.61	3.73	3.60	3.68	3.79	3.91	3.75	3.83	3.95	4.07	3.87	3.95	4.08	4.21
	Amps	6.1	6.4	6.7	7.1	7.0	7.3	7.6	8.1	8.0	8.3	8.7	9.2	8.8	9.2	9.6	10.2	9.7	10.1	10.6	11.2	10.6	11.0	11.5	12.1
	Hi PR	221	238	252	262	248	267	282	294	282	304	321	335	322	346	366	381	362	390	411	429	400	430	454	474
	Lo PR	108	115	125	134	114	121	133	141	119	126	138	147	125	133	145	154	131	139	152	162	135	144	157	167
	MBh	42.5	43.4	45.4	48.5	41.5	42.4	44.4	47.3	40.6	41.3	43.3	46.2	39.6	40.3	42.2	45.1	37.6	38.3	40.1	42.8	34.8	35.5	37.2	39.7
	S/T	0.92	0.88	0.80	0.65	0.95	0.92	0.83	0.67	0.97	0.94	0.85	0.69	1.00	0.97	0.88	0.71	1.00	1.00	0.91	0.74	1.00	1.00	0.92	0.74
	ΔT	2.6	2.6	2.5	2.1	2.7	2.6	2.5	2.2	2.7	2.6	2.5	2.2	2.7	2.7	2.5	2.2	2.5	2.6	2.5	2.1	2.4	2.4	2.3	2.0
1356	kW	2.96	3.02	3.10	3.20	3.17	3.23	3.33	3.43	3.35	3.42	3.53	3.64	3.52	3.59	3.70	3.82	3.66	3.74	3.85	3.97	3.78	3.86	3.98	4.11
	Amps	5.8	6.1	6.4	6.8	6.7	6.9	7.3	7.8	7.6	7.9	8.3	8.8	8.5	8.8	9.2	9.8	9.3	9.7	10.1	10.7	10.2	10.5	11.0	11.6
	Hi PR	215	231	244	254	241	259	274	286	274	295	311	325	312	336	355	370	351	378	399	416	388	417	441	460
	Lo PR	105	111	122	130	111	118	129	137	115	122	134	142	121	129	140	150	127	135	147	157	131	139	152	162

IDB: Entering Indoor Dry Bulb Temperature
 High and low pressures are measured at the liquid and suction service valves.
 Shaded area reflects AHRI conditions
 kW = Total system power
 Amps = outdoor unit amps (comp.+fan)

IDB		OUTDOOR AMBIENT TEMPERATURE												ENTERING INDOOR WET BULB TEMPERATURE												
		65°F				75°F				85°F				95°F				105°F				115°F				
		59	63	67	71	59	63	67	71	59	63	67	71	59	63	67	71	59	63	67	71	59	63	67	71	
2081	MBh	55.4	57.4	62.9	-	54.1	56.1	61.4	-	52.8	54.7	59.9	-	51.5	53.4	58.5	-	48.9	50.7	55.6	-	45.3	47.0	51.5	-	
	S/T	0.74	0.62	0.43	-	0.77	0.64	0.45	-	0.79	0.66	0.46	-	0.81	0.68	0.47	-	0.85	0.71	0.49	-	0.85	0.71	0.49	-	
	ΔT	18	16	12	-	18	16	12	-	18	16	12	-	19	16	12	-	18	16	12	-	17	15	11	-	
	kW	3.63	3.70	3.82	-	3.91	3.99	4.12	-	4.16	4.25	4.39	-	4.38	4.48	4.63	-	4.57	4.67	4.83	-	4.73	4.83	5.00	-	
	Amps	7.6	7.9	8.4	-	8.7	9.1	9.6	-	10.0	10.4	10.9	-	11.1	11.5	12.1	-	12.2	12.7	13.3	-	13.3	13.8	14.5	-	
	Hi PR	219	236	249	-	246	264	279	-	279	301	318	-	318	343	362	-	358	385	407	-	396	426	450	-	
	Lo PR	103	110	120	-	109	116	126	-	113	120	131	-	119	126	138	-	125	132	145	-	129	137	150	-	
	70	MBh	53.8	55.7	61.0	-	52.5	54.4	59.6	-	51.3	53.1	58.2	-	50.0	51.8	56.8	-	47.5	49.2	53.9	-	44.0	45.6	50.0	-
	S/T	0.71	0.59	0.41	-	0.73	0.61	0.42	-	0.75	0.63	0.44	-	0.78	0.65	0.45	-	0.81	0.67	0.47	-	0.81	0.68	0.47	-	
	ΔT	19	16	12	-	19	17	13	-	19	17	13	-	19	17	13	-	19	16	13	-	18	15	12	-	
kW	3.60	3.67	3.79	-	3.88	3.96	4.09	-	4.12	4.22	4.35	-	4.34	4.44	4.59	-	4.53	4.63	4.78	-	4.69	4.79	4.96	-		
Amps	7.4	7.8	8.2	-	8.6	8.9	9.4	-	9.8	10.2	10.8	-	11.0	11.4	12.0	-	12.1	12.5	13.1	-	13.2	13.6	14.3	-		
Hi PR	217	233	246	-	243	262	276	-	277	298	314	-	315	339	358	-	355	382	403	-	392	422	445	-		
Lo PR	102	108	118	-	108	115	125	-	112	119	130	-	118	125	137	-	123	131	143	-	128	136	148	-		
1619	MBh	49.6	51.4	56.3	-	48.5	50.2	55.0	-	47.3	49.0	53.7	-	46.2	47.8	52.4	-	43.8	45.4	49.8	-	40.6	42.1	46.1	-	
S/T	0.68	0.57	0.40	-	0.71	0.59	0.41	-	0.73	0.61	0.42	-	0.75	0.63	0.43	-	0.78	0.65	0.45	-	0.78	0.65	0.45	-		
ΔT	19	17	13	-	19	17	13	-	19	17	13	-	20	17	13	-	19	17	13	-	18	16	12	-		
kW	3.51	3.58	3.70	-	3.78	3.86	3.99	-	4.02	4.11	4.24	-	4.23	4.33	4.47	-	4.41	4.51	4.66	-	4.57	4.67	4.83	-		
Amps	7.1	7.4	7.8	-	8.2	8.5	9.0	-	9.4	9.8	10.3	-	10.5	10.9	11.5	-	11.6	12.0	12.6	-	12.6	13.1	13.7	-		
Hi PR	210	226	239	-	236	254	268	-	268	289	305	-	306	329	347	-	344	370	391	-	380	409	432	-		
Lo PR	99	105	115	-	105	111	121	-	109	116	126	-	114	121	133	-	120	127	139	-	124	132	144	-		

2081	MBh	56.3	58.0	62.7	67.3	55.0	56.6	61.3	65.8	53.7	55.3	59.8	64.2	52.4	53.9	58.4	62.6	49.8	51.2	55.5	59.5	46.1	47.5	51.4	55.1	
	S/T	0.84	0.75	0.57	0.37	0.87	0.78	0.59	0.38	0.90	0.80	0.61	0.39	0.93	0.83	0.63	0.40	0.96	0.86	0.65	0.42	0.97	0.87	0.66	0.42	
	ΔT	21	19	16	11	21	20	16	11	21	20	16	11	21	20	16	11	21	19	16	11	20	18	15	10	
	kW	3.66	3.73	3.85	3.98	3.94	4.03	4.16	4.30	4.19	4.29	4.43	4.58	4.42	4.52	4.67	4.82	4.61	4.71	4.87	5.03	4.77	4.88	5.04	5.22	
	Amps	7.7	8.0	8.5	9.1	8.8	9.2	9.7	10.3	10.1	10.5	11.1	11.8	11.3	11.7	12.3	13.0	12.4	12.9	13.5	14.3	13.5	14.0	14.7	15.5	
	Hi PR	221	238	251	262	248	267	282	294	282	304	321	335	322	346	365	381	362	389	411	429	400	430	454	474	
	Lo PR	104	111	121	129	110	117	128	136	114	122	133	141	120	128	139	148	126	134	146	156	130	138	151	161	
	75	MBh	54.7	56.3	60.9	65.4	53.4	55.0	59.5	63.9	52.1	53.7	58.1	62.3	50.9	52.4	56.7	60.8	48.3	49.7	53.8	57.8	44.7	46.1	49.9	53.5
	S/T	0.80	0.72	0.54	0.35	0.83	0.75	0.56	0.36	0.86	0.77	0.58	0.37	0.88	0.79	0.60	0.38	0.92	0.82	0.62	0.40	0.92	0.83	0.63	0.40	
	ΔT	22	20	16	11	22	20	17	12	22	20	17	12	22	21	17	12	22	20	17	11	21	19	16	11	
kW	3.63	3.70	3.82	3.95	3.91	3.99	4.12	4.26	4.16	4.25	4.39	4.54	4.38	4.48	4.63	4.78	4.57	4.67	4.83	4.99	4.73	4.84	5.00	5.17		
Amps	7.6	7.9	8.4	8.9	8.7	9.1	9.6	10.2	10.0	10.4	10.9	11.6	11.1	11.5	12.1	12.8	12.2	12.7	13.3	14.1	13.3	13.8	14.5	15.3		
Hi PR	219	236	249	260	246	265	279	291	280	301	318	331	318	343	362	377	358	385	407	425	396	426	450	469		
Lo PR	103	110	120	127	109	116	126	135	113	120	131	140	119	126	138	147	125	132	145	154	129	137	150	159		
1619	MBh	50.5	51.9	56.2	60.3	49.3	50.7	54.9	58.9	48.1	49.5	53.6	57.5	46.9	48.3	52.3	56.1	44.6	45.9	49.7	53.3	41.3	42.5	46.0	49.4	
S/T	0.78	0.69	0.53	0.34	0.80	0.72	0.54	0.35	0.82	0.74	0.56	0.36	0.85	0.76	0.58	0.37	0.88	0.79	0.60	0.38	0.89	0.80	0.60	0.39		
ΔT	22	20	17	12	23	21	17	12	23	21	17	12	23	21	17	12	22	21	17	12	21	19	16	11		
kW	3.54	3.61	3.73	3.85	3.81	3.90	4.02	4.15	4.06	4.14	4.28	4.42	4.27	4.36	4.51	4.66	4.45	4.55	4.70	4.86	4.61	4.71	4.87	5.04		
Amps	7.2	7.5	8.0	8.5	8.3	8.6	9.1	9.7	9.5	9.9	10.5	11.1	10.6	11.0	11.6	12.3	11.7	12.2	12.8	13.5	12.8	13.3	13.9	14.7		
Hi PR	212	229	241	252	238	257	271	283	271	292	308	321	309	332	351	366	347	374	395	412	384	413	436	455		
Lo PR	100	106	116	124	106	112	123	131	110	117	127	136	115	123	134	143	121	129	140	149	125	133	145	155		

IDB: Entering Indoor Dry Bulb Temperature
 High and low pressures are measured at the liquid and suction service valves.
 Shaded area reflects ACCA (TVA) conditions
 kW = Total system power
 Amps = outdoor unit amps (comp.+fan)

IDB	AIRFLOW	OUTDOOR AMBIENT TEMPERATURE																							
		65°F				75°F				85°F				95°F				105°F				115°F			
		59	63	67	71	59	63	67	71	59	63	67	71	59	63	67	71	59	63	67	71	59	63	67	71
80	MBh	57.3	58.6	62.6	66.9	56.0	57.2	61.1	65.3	54.6	55.8	59.6	63.8	53.3	54.5	58.2	62.2	50.6	51.7	55.3	59.1	46.9	47.9	51.2	54.7
	S/T	0.93	0.87	0.71	0.53	0.96	0.90	0.73	0.55	1.00	0.92	0.75	0.56	1.00	0.95	0.78	0.58	1.00	1.00	0.80	0.60	1.00	1.00	0.81	0.61
	ΔT	23	22	20	16	24	23	20	16	24	23	20	16	24	23	20	16	24	23	20	16	21	21	18	15
	kW	3.69	3.76	3.89	4.01	3.97	4.06	4.19	4.33	4.23	4.32	4.47	4.62	4.45	4.55	4.71	4.87	4.64	4.75	4.91	5.08	4.81	4.92	5.09	5.26
	Amps	7.8	8.2	8.6	9.2	9.0	9.3	9.9	10.5	10.3	10.7	11.3	11.9	11.4	11.9	12.5	13.2	12.6	13.0	13.7	14.5	13.7	14.2	14.9	15.7
	Hi PR	223	240	254	265	251	270	285	297	285	307	324	338	325	350	369	385	365	393	415	433	404	434	459	479
	Lo PR	105	112	122	130	111	118	129	137	115	123	134	143	121	129	141	150	127	135	148	157	131	140	153	163
	MBh	55.6	56.9	60.7	64.9	54.3	55.5	59.3	63.4	53.0	54.2	57.9	61.9	51.8	52.9	56.5	60.4	49.2	50.2	53.7	57.4	45.5	46.5	49.7	53.2
	S/T	0.88	0.83	0.67	0.50	0.91	0.86	0.70	0.52	0.94	0.88	0.72	0.54	0.97	0.91	0.74	0.55	1.00	0.94	0.77	0.57	1.00	0.95	0.77	0.58
	ΔT	24	23	20	16	25	24	21	16	25	24	21	16	25	24	21	17	24	24	20	16	23	22	19	15
kW	3.66	3.73	3.85	3.98	3.94	4.03	4.16	4.30	4.19	4.29	4.43	4.58	4.42	4.52	4.67	4.82	4.61	4.71	4.87	5.03	4.77	4.88	5.04	5.22	
Amps	7.7	8.0	8.5	9.1	8.8	9.2	9.7	10.3	10.1	10.5	11.1	11.8	11.3	11.7	12.3	13.0	12.4	12.9	13.5	14.3	13.5	14.0	14.7	15.5	
Hi PR	221	238	251	262	248	267	282	294	282	304	321	335	322	346	365	381	362	389	411	429	400	430	454	474	
Lo PR	104	111	121	129	110	117	128	136	114	122	133	141	120	128	139	148	126	134	146	156	130	138	151	161	
MBh	51.4	52.5	56.1	59.9	50.2	51.3	54.8	58.5	49.0	50.0	53.5	57.1	47.8	48.8	52.1	55.7	45.4	46.4	49.5	53.0	42.0	43.0	45.9	49.1	
S/T	0.85	0.80	0.65	0.49	0.88	0.83	0.67	0.50	0.90	0.85	0.69	0.52	0.93	0.88	0.71	0.53	0.97	0.91	0.74	0.55	0.98	0.92	0.75	0.56	
ΔT	25	24	21	17	25	24	21	17	25	24	21	17	25	24	21	17	25	24	21	17	23	22	19	16	
kW	3.57	3.64	3.76	3.88	3.84	3.93	4.06	4.19	4.09	4.18	4.32	4.46	4.31	4.40	4.55	4.70	4.49	4.59	4.74	4.90	4.65	4.75	4.91	5.08	
Amps	7.3	7.6	8.1	8.6	8.4	8.8	9.3	9.9	9.7	10.1	10.6	11.3	10.8	11.2	11.8	12.5	11.9	12.3	13.0	13.7	13.0	13.4	14.1	14.9	
Hi PR	215	231	244	254	241	259	274	285	274	295	311	325	312	336	354	370	351	378	399	416	388	417	441	460	
Lo PR	101	107	117	125	107	113	124	132	111	118	129	137	116	124	135	144	122	130	142	151	126	134	147	156	

85	MBh	58.3	59.4	62.2	66.4	56.9	58.1	60.8	64.9	55.6	56.7	59.4	63.3	54.2	55.3	57.9	61.8	51.5	52.5	55.0	58.7	47.7	48.7	51.0	54.4
	S/T	0.97	0.94	0.85	0.69	1.00	0.97	0.88	0.71	1.00	0.95	0.86	0.69	1.00	0.98	0.88	0.72	1.00	1.00	0.92	0.74	1.00	1.00	0.97	0.79
	ΔT	25	25	23	20	25	25	24	20	25	25	24	20	24	24	24	21	23	23	23	20	21	21	22	19
	kW	3.72	3.80	3.92	4.05	4.01	4.09	4.23	4.37	4.26	4.36	4.50	4.66	4.49	4.59	4.75	4.91	4.68	4.79	4.95	5.12	4.85	4.96	5.13	5.31
	Amps	8.0	8.3	8.8	9.3	9.1	9.5	10.0	10.6	10.4	10.9	11.4	12.1	11.6	12.0	12.7	13.4	12.8	13.2	13.9	14.7	13.9	14.4	15.1	15.9
	Hi PR	226	243	256	268	253	273	288	300	288	310	327	341	328	353	373	389	369	397	419	437	408	439	463	483
	Lo PR	106	113	123	131	112	119	130	139	117	124	135	144	122	130	142	151	128	137	149	159	133	141	154	164
	MBh	56.6	57.7	60.4	64.5	55.3	56.4	59.0	63.0	54.0	55.0	57.6	61.5	52.7	53.7	56.2	60.0	50.0	51.0	53.4	57.0	46.3	47.2	49.5	52.8
	S/T	0.93	0.89	0.81	0.65	0.96	0.93	0.84	0.68	0.98	0.95	0.86	0.69	1.00	0.98	0.88	0.72	1.00	1.00	0.92	0.74	1.00	1.00	0.93	0.75
	ΔT	26	26	24	21	26	26	25	21	26	26	25	21	26	26	25	21	25	25	24	21	23	23	23	20
kW	3.69	3.76	3.89	4.01	3.97	4.06	4.19	4.33	4.23	4.32	4.47	4.62	4.45	4.55	4.71	4.87	4.64	4.75	4.91	5.08	4.81	4.92	5.09	5.26	
Amps	7.8	8.2	8.6	9.2	9.0	9.3	9.9	10.5	10.3	10.7	11.3	11.9	11.4	11.9	12.5	13.2	12.6	13.0	13.7	14.5	13.7	14.2	14.9	15.7	
Hi PR	223	240	254	265	251	270	285	297	285	307	324	338	325	350	369	385	365	393	415	433	404	434	459	479	
Lo PR	105	112	122	130	111	118	129	137	115	123	134	143	121	129	141	150	127	135	148	157	131	140	153	163	
MBh	52.2	53.3	55.8	59.5	51.0	52.0	54.5	58.1	49.8	50.8	53.2	56.7	48.6	49.5	51.9	55.4	46.2	47.1	49.3	52.6	42.8	43.6	45.7	48.7	
S/T	0.89	0.86	0.78	0.63	0.92	0.89	0.81	0.65	0.95	0.92	0.83	0.67	0.98	0.94	0.85	0.69	1.00	0.98	0.88	0.72	1.00	0.99	0.89	0.72	
ΔT	26	26	25	21	27	26	25	22	27	26	25	22	27	27	25	22	26	26	25	21	24	24	23	20	
kW	3.60	3.67	3.79	3.91	3.88	3.96	4.09	4.22	4.12	4.21	4.35	4.50	4.34	4.44	4.59	4.74	4.53	4.63	4.78	4.95	4.69	4.79	4.95	5.12	
Amps	7.4	7.8	8.2	8.8	8.6	8.9	9.4	10.0	9.8	10.2	10.8	11.4	10.9	11.4	12.0	12.6	12.1	12.5	13.1	13.9	13.1	13.6	14.3	15.1	
Hi PR	217	233	246	257	243	262	276	288	277	298	314	328	315	339	358	373	354	381	403	420	392	421	445	464	
Lo PR	102	108	118	126	108	115	125	133	112	119	130	138	118	125	137	145	123	131	143	152	127	136	148	158	

IDB: Entering Indoor Dry Bulb Temperature
 High and low pressures are measured at the liquid and suction service valves.
 Shaded area reflects AHRI conditions
 kW = Total system power
 Amps = outdoor unit amps (comp.+fan)

SSZ140181B* / CA*F3131*6A* +TXV / MBR800**-1

	OUTDOOR AMBIENT TEMPERATURE																	
	65	60	55	50	47	45	40	35	30	25	20	17	15	10	5	0	-5	-10
MBh	22.6	21.4	20.2	18.8	18.0	17.4	16.2	14.9	12.8	11.8	10.9	10.3	9.9	8.9	7.9	6.9	5.9	4.8
ΔT	34.9	33.1	31.1	29.1	27.8	26.9	25.0	23.1	19.7	18.2	16.8	15.8	15.3	13.7	12.1	10.6	9.0	7.4
kW	1.56	1.53	1.50	1.47	1.45	1.44	1.41	1.38	1.39	1.36	1.32	1.31	1.29	1.26	1.23	1.20	1.17	1.14
Amps	7.0	6.5	6.1	5.7	5.5	5.4	5.1	4.9	4.7	4.5	4.2	4.1	4.1	3.9	3.6	3.4	3.2	2.9
COP	4.23	4.09	3.93	3.75	3.62	3.54	3.36	3.16	2.70	2.55	2.40	2.30	2.24	2.06	1.87	1.67	1.47	1.23
EER	14.5	14.0	13.4	12.8	12.4	12.1	11.5	10.8	9.2	8.7	8.2	7.9	7.6	7.0	6.4	5.7	5.0	4.2
Hi PR	385	369	355	339	331	325	312	300	287	274	263	257	252	243	234	224	216	208
Lo PR	149	138	129	118	112	108	99	88	80	71	62	58	56	47	41	34	30	24

SSZ140241B* / CA*F3636*6A*+TXV / MBR800**-1

	OUTDOOR AMBIENT TEMPERATURE																	
	65	60	55	50	47	45	40	35	30	25	20	17	15	10	5	0	-5	-10
MBh	30.2	28.6	26.9	25.1	24.0	23.3	21.6	19.9	17.9	16.6	15.2	14.4	13.9	12.4	11.0	9.6	8.2	6.7
ΔT	32.9	31.1	29.3	27.4	26.1	25.3	23.5	21.7	19.5	18.0	16.6	15.7	15.1	13.5	12.0	10.5	8.9	7.3
kW	2.08	2.04	2.00	1.96	1.94	1.92	1.89	1.85	1.87	1.82	1.78	1.76	1.74	1.70	1.66	1.62	1.58	1.54
Amps	8.1	7.9	7.7	7.5	7.4	7.3	7.2	7.1	7.0	6.9	6.8	6.7	6.7	6.6	6.5	6.3	6.2	6.1
COP	4.24	4.09	3.93	3.74	3.62	3.54	3.35	3.16	2.81	2.65	2.50	2.39	2.33	2.14	1.94	1.73	1.52	1.28
EER	14.5	14.0	13.4	12.8	12.4	12.1	11.4	10.8	9.6	9.1	8.5	8.2	7.9	7.3	6.6	5.9	5.2	4.4
Hi PR	373	358	344	329	321	315	303	290	278	266	255	249	245	235	226	217	209	202
Lo PR	143	133	124	114	108	104	95	85	77	68	60	56	54	46	39	33	29	23

SSZ140301B* / CA*F3642*6A*+TXV / MBR1600**-1

	OUTDOOR AMBIENT TEMPERATURE																	
	65	60	55	50	47	45	40	35	30	25	20	17	15	10	5	0	-5	-10
MBh	36.5	34.5	32.5	30.4	28.0	28.1	26.1	24.1	22.6	20.9	19.2	18.2	17.5	15.7	13.9	12.1	10.3	8.5
ΔT	32.1	30.4	28.6	26.8	25.6	24.8	23.0	21.2	19.9	18.4	17.0	16.0	15.4	13.8	12.3	10.7	9.1	7.5
kW	2.40	2.36	2.32	2.27	2.25	2.23	2.19	2.14	2.20	2.15	2.11	2.08	2.06	2.01	1.97	1.92	1.87	1.83
Amps	11.8	10.6	9.6	8.7	8.2	8.0	7.2	6.6	6.1	5.6	5.1	4.9	4.8	4.3	3.6	3.1	2.5	1.8
COP	4.44	4.28	4.10	3.91	3.78	3.69	3.50	3.29	3.01	2.84	2.67	2.55	2.48	2.28	2.07	1.85	1.62	1.36
EER	15.2	14.6	14.0	13.4	12.9	12.6	11.9	11.2	10.3	9.7	9.1	8.7	8.5	7.8	7.1	6.3	5.5	4.6
Hi PR	360	346	332	318	310	304	292	281	269	257	247	241	236	227	219	210	202	195
Lo PR	137	127	119	110	104	100	92	82	74	66	58	54	52	44	38	32	28	22

SSZ140361B*/AR*F374316B*

	OUTDOOR AMBIENT TEMPERATURE																	
	65	60	55	50	47	45	40	35	30	25	20	17	15	10	5	0	-5	-10
MBh	41.5	39.3	37.0	34.6	33.0	32.0	29.7	27.4	24.9	23.0	21.2	20.0	19.3	17.3	15.3	13.4	11.4	9.3
T/R	30.7	29.1	27.4	25.6	24.4	23.7	22.0	20.3	18.5	17.0	15.7	14.8	14.3	12.8	11.3	9.9	8.4	6.9
kW	2.96	2.90	2.85	2.79	2.76	2.74	2.69	2.64	2.93	2.86	2.80	2.76	2.74	2.68	2.61	2.55	2.49	2.43
Amps	11.9	11.1	10.4	9.8	9.5	9.3	8.9	8.4	8.1	7.8	7.5	7.3	7.2	6.9	6.5	6.1	5.7	5.2
COP	4.11	3.96	3.80	3.62	3.49	3.41	3.23	3.04	2.49	2.35	2.21	2.12	2.06	1.89	1.72	1.53	1.34	1.13
EER	14.0	13.5	13.0	12.4	11.9	11.7	11.0	10.4	8.5	8.0	7.6	7.2	7.0	6.5	5.9	5.2	4.6	3.8
HI PR	346	332	319	305	298	292	281	270	258	247	237	231	227	218	210	201	194	187
LO PR	141	131	123	113	107	102	94	84	76	68	59	55	53	45	39	33	29	22

Calculations are based on nominal CFM and 70°F indoor dry bulb.
 High pressure is measured at the suction service valve (the larger valve).
 Low pressure is measured at the gauge port connection.

Amps = Outdoor unit amps (comp.+fan)
 kW = Total system power

SSZ140381A* / ASPT42C14A*

	OUTDOOR AMBIENT TEMPERATURE																	
	65	60	55	50	47	45	40	35	30	25	20	17	15	10	5	0	-5	-10
MBh	42.7	40.5	38.1	35.6	34.0	32.9	30.6	28.2	25.7	23.7	21.8	20.6	19.8	17.8	15.8	13.8	11.7	9.6
T/R	33.7	31.9	30.0	28.1	26.8	26.0	24.1	22.2	20.2	18.7	17.2	16.2	15.6	14.0	12.4	10.8	9.3	7.6
KW	2.46	2.40	2.35	2.29	2.25	2.23	2.17	2.11	2.10	2.04	1.98	1.94	1.92	1.86	1.80	1.74	1.68	1.62
AMPS	13.4	12.3	11.5	10.7	10.3	10.1	9.5	8.9	8.5	8.1	7.7	7.4	7.3	6.9	6.4	5.9	5.4	4.8
COP	4.57	4.42	4.26	4.07	3.94	3.86	3.66	3.46	3.17	3.00	2.84	2.72	2.65	2.44	2.23	2.00	1.76	1.48
HI PR	400	383	368	352	344	337	324	311	298	285	273	267	262	252	243	233	224	216
LO PR	149	138	129	119	112	108	99	88	80	71	63	58	56	47	41	35	30	24

SSZ140421A* / CA*F4860*6A*+TXV / MBR2000**-1

	OUTDOOR AMBIENT TEMPERATURE																	
	65	60	55	50	47	45	40	35	30	25	20	17	15	10	5	0	-5	-10
MBh	51.5	48.8	45.9	42.9	40.0	39.7	36.9	34.0	34.3	31.6	29.1	27.5	26.5	23.8	21.1	18.4	15.7	12.8
ΔT	34.1	32.3	30.4	28.4	27.1	26.3	24.4	22.5	22.7	20.9	19.3	18.2	17.5	15.7	13.9	12.1	10.4	8.5
kW	3.40	3.33	3.27	3.21	3.17	3.14	3.08	3.02	3.07	3.00	2.94	2.90	2.87	2.81	2.74	2.68	2.61	2.54
Amps	15.2	14.1	13.2	12.4	12.0	11.8	11.1	10.6	10.1	9.7	9.2	9.0	8.9	8.5	7.9	7.5	6.9	6.3
COP	4.44	4.28	4.11	3.92	3.79	3.70	3.50	3.30	3.26	3.08	2.90	2.78	2.70	2.48	2.25	2.01	1.76	1.48
EER	15.2	14.6	14.0	13.4	12.9	12.6	12.0	11.3	11.2	10.5	9.9	9.5	9.2	8.5	7.7	6.9	6.0	5.1
Hi PR	370	354	341	326	318	312	300	288	276	263	253	247	242	233	224	215	207	200
Lo PR	142	132	123	113	107	103	95	84	76	68	60	56	53	45	39	33	29	23

SSZ140481A* / CA*F4860*6A*+TXV / MBR2000**-1

	OUTDOOR AMBIENT TEMPERATURE																	
	65	60	55	50	47	45	40	35	30	25	20	17	15	10	5	0	-5	-10
MBh	57.8	54.7	51.5	48.2	47.0	44.6	41.4	38.2	36.6	33.8	31.1	29.4	28.3	25.4	22.5	19.6	16.8	13.7
ΔT	34.5	32.7	30.8	28.8	27.5	26.6	24.7	22.8	21.9	20.2	18.6	17.6	16.9	15.2	13.4	11.7	10.0	8.2
kW	3.98	3.90	3.83	3.75	3.71	3.68	3.60	3.53	3.65	3.57	3.49	3.44	3.41	3.32	3.24	3.16	3.08	3.00
Amps	19.4	17.6	16.1	14.8	14.1	13.7	12.7	11.7	11.0	10.3	9.5	9.2	9.0	8.3	7.4	6.6	5.7	4.6
COP	4.25	4.10	3.94	3.76	3.63	3.55	3.36	3.17	2.94	2.77	2.61	2.50	2.43	2.24	2.03	1.82	1.59	1.34
EER	14.5	14.0	13.5	12.8	12.4	12.1	11.5	10.8	10.0	9.5	8.9	8.5	8.3	7.6	6.9	6.2	5.4	4.6
Hi PR	408	391	376	359	351	344	331	318	304	291	279	272	267	257	247	237	229	221
Lo PR	136	126	118	109	103	99	91	81	73	65	57	53	51	43	37	32	28	22

SSZ140601A* / CA*F4860*6A*+TXV / MBE2000**-1

	OUTDOOR AMBIENT TEMPERATURE																	
	65	60	55	50	47	45	40	35	30	25	20	17	15	10	5	0	-5	-10
MBh	57.8	57.8	57.8	57.8	57.0	55.2	51.3	47.3	47.9	44.2	40.7	38.4	37.0	33.2	29.4	25.7	21.9	17.9
ΔT	35.9	33.9	32.0	29.9	28.5	27.6	25.7	23.7	24.0	22.1	20.4	19.2	18.5	16.6	14.7	12.8	11.0	9.0
kW	4.83	4.74	4.64	4.54	4.48	4.44	4.35	4.25	4.42	4.32	4.21	4.15	4.11	4.00	3.90	3.80	3.69	3.59
Amps	24.7	22.3	20.4	18.8	17.9	17.4	16.0	14.8	13.9	12.9	12.0	11.5	11.3	10.4	9.2	8.2	7.1	5.7
COP	4.34	4.19	4.03	3.85	3.72	3.64	3.45	3.26	3.17	2.99	2.83	2.71	2.63	2.43	2.21	1.98	1.74	1.46
EER	14.8	14.3	13.8	13.1	12.7	12.4	11.8	11.1	10.8	10.2	9.7	9.3	9.0	8.3	7.5	6.8	5.9	5.0
Hi PR	404	387	372	356	347	341	327	314	301	288	276	269	265	255	245	235	226	218
Lo PR	136	126	119	109	103	99	91	81	73	65	57	53	51	43	37	32	28	22

Calculations are based on nominal CFM and 70°F indoor dry bulb.
 High pressure is measured at the suction service valve (the larger valve).
 Low pressure is measured at the gauge port connection.

Amps = Outdoor unit amps (comp.+fan)
 kW = Total system power



ENERGY STAR-CERTIFIED COMBINATIONS

OUTDOOR UNIT	INDOOR UNITS		COOLING RATINGS [^]				TVA RATINGS ³		HEATING RATINGS [^]			CFM	AHRI #
	COILS/AIR HANDLERS	FURNACES	TOTAL	SENS.	SEER ¹	EER ²	TOTAL	SENS.	Hi ⁴	HSPF ⁵	Low ⁶		
SSZ14 0181B*	ASPT24B14A*		18,000	13,500	14.50	12.00	16,700	13,000	17,000	8.20	9300	605	5722665
	AVPTC24B14A*		18,000	13,500	14.50	12.00	16,700	13,000	17,000	8.20	9300	600	5924408
	AWUF31XX16A*		18,000	13,500	14.50	12.50	16,700	13,000	17,600	8.20	9000	600	3853246
SSZ14 0241B*	ASPT30C14A*		23,600	17,800	15.00	12.50	21,800	17,500	22,000	8.50	13000	845	5722672
	AVPTC30C14A*		23,600	17,800	15.00	12.50	21,800	17,500	22,000	8.50	13000	860	5924427
	AWUF31XX16A*		24,000	18,100	14.50	12.50	22,200	17,800	23,000	8.50	13400	840	3853248
	CA*F3636*6D*+MBVC1200**~1A*+TXV		24,000	18,100	15.00	12.50	22,200	17,800	24,000	8.50	14500	800	4392842
SSZ14 0301B*	ASPT36C14A*		28,000	20,200	15.00	12.50	26,000	21,800	27,000	8.50	15600	905	5722673
	AWUF31XX16A*+TXV		28,800	20,800	14.50	12.30	26,600	22,400	28,000	8.50	18000	1020	3853251
SSZ14 0361B*	ASPT42D14A*		34,200	26,200	15.00	12.50	31,600	26,600	32,000	8.50	19000	1145	5722692
	AVPTC42D14A*		34,200	26,200	15.00	12.50	31,600	26,600	32,000	8.50	19000	1225	5924429
SSZ14 0421A*	AVPTC48D14A*		41,500	30,600	15.00	12.50	38,500	31,600	40,000	9.00	23000	1400	5924411
SSZ14 0481A*	AVPTC48D14A*		46,500	34,200	15.00	12.50	43,000	34,800	45,500	9.00	26000	1480	5924413

¹ BTU/h

² Seasonal Energy Efficiency Ratio; Certified per AHRI 210/240 @ 80°F/ 67°F/ 95°F

³ Energy Efficiency Ratio @ 80°F/ 67°F/ 95°F

NOTES

- Always check the S&R plate for electrical data on the unit being installed.
- When matching the outdoor unit to the indoor unit, use the piston supplied with the outdoor unit or that specified on the piston kit chart supplied with the indoor unit.
- EEP - Order from Service Dept. Part No. B13707-38 or new Solid State Board B13707-35S. Part No. B13707-38 is not interchangeable with B13707-35S. The Goodman Gas Furnace contains the EEP cooling time delay

ENERGY STAR NOTE:

ENERGY STAR® and the ENERGY STAR mark are registered trademarks owned by the U.S. Environmental Protection Agency. ENERGY STAR products are third-party certified by an EPA-recognized Certification Body. Products that earn the ENERGY STAR prevent greenhouse gas emissions by meeting strict energy efficiency guidelines set by the U.S. Environmental Protection Agency.

Proper sizing and installation of equipment is critical to achieving optimal performance. Split system air conditioners and heat pumps must be matched with appropriate coil components to meet ENERGY STAR criteria. Ask your contractor for details or visit www.energystar.gov.

The www.energystar.gov website provides up-to-date system combinations certified to meet ENERGY STAR requirements.

OUTDOOR UNIT	INDOOR UNITS		COOLING CAPACITY (BTU/h)				TVA RATINGS ³		HEATING CAPACITY			CFM	AHRI #
	COILS/AIR HANDLERS	FURNACES	TOTAL	SENS.	SEER ¹	EER ²	TOTAL	SENS.	HI	HSPF ⁴	LOW		
SSZ14 0181B*	ACNF18XX16D*+TXV		17,000	12,700	13.50	11.50	15,800	12,300	17,000	7.70	10000	580	5561903
	ARPT18B14A*		18,000	13,500	14.00	12.00	16,700	13,000	17,900	7.70	10000	580	5358285
	ARPT24B14A*		18,000	13,500	14.00	12.00	16,700	13,000	17,900	7.70	10000	560	5458806
	ARPT30B14A*		18,000	13,500	14.00	12.00	16,700	13,000	17,000	7.80	10000	585	5458807
	ARUF18B14A*+TXV		17,000	12,700	13.00	11.00	15,800	12,300	17,000	7.70	10000	605	5458802
	ARUF24B14C*+TXV		17,000	12,700	13.50	11.00	15,800	12,300	17,000	7.70	10000	600	7084849
	ARUF30B14A*		18,000	13,500	13.30	11.00	16,700	13,000	17,000	7.70	10000	585	5458805
	ARUF30B14A*+TXV		18,000	13,500	14.00	12.00	16,700	13,000	17,000	7.80	10000	585	5458804
	ASPT30C14A*		18,000	13,500	15.00	12.50	16,700	13,000	17,000	8.00	9500	580	5722668
	ASUF29B14A*		18,000	13,500	14.00	11.50	16,700	13,000	17,000	8.00	8800	605	5722667
	ASUF29B14A*+TXV		18,000	13,500	14.50	12.00	16,700	13,000	17,000	8.20	9300	605	5722666
	AWUF31XX16A*+TXV		18,000	13,500	15.00	12.70	16,700	13,000	17,600	8.20	9000	600	3853245
	CA*F3131*6D*+EEP+TXV		18,400	13,800	14.00	12.00	17,100	13,300	18,000	8.00	10400	600	6497960
	CA*F3131*6D*+MBR0800**-1+TXV		18,000	13,500	14.00	12.00	16,700	13,000	18,000	8.10	10200	600	4985375
	CA*F3131*6D*+MBVC1200**-1A*+TXV		18,000	13,500	15.00	12.50	16,700	13,000	17,900	8.10	10000	550	6497961
	CA*F3131*6D*+TXV	A*VC950453BxB*	18,000	13,500	15.00	12.50	16,700	13,000	18,000	8.10	10100	650	6497962
	CA*F3131*6D*+TXV	A*VM960603BxB*	18,000	13,500	15.00	12.50	16,700	13,000	18,000	8.10	10100	650	6497963
	CA*F3131*6D*+TXV	G*VC950453BxB*	18,000	13,500	15.00	12.50	16,700	13,000	18,000	8.10	10100	650	6497964
	CA*F3131*6D*+TXV	G*VM960603BxB*	18,000	13,500	15.00	12.50	16,700	13,000	18,000	8.10	10100	650	6497965
	CAPT3131*4A*	A*VC950453BxB*	18,000	13,500	15.00	12.50	16,700	13,000	17,800	8.10	10100	590	6497966
	CAPT3131*4A*	A*VM960603BxB*	18,000	13,500	15.00	12.50	16,700	13,000	17,700	8.10	10100	570	6497967
	CAPT3131*4A*	G*VC950453BxB*	18,000	13,500	15.00	12.50	16,700	13,000	17,800	8.10	10100	590	6497968
	CAPT3131*4A*	G*VM960603BxB*	18,000	13,500	15.00	12.50	16,700	13,000	17,700	8.10	10100	570	6497969
	CAPT3131*4A*+EEP		18,400	13,800	13.50	12.00	17,100	13,300	18,000	7.70	10400	580	6497970
	CAPT3131*4A*+MBR0800**-1		18,000	13,500	14.00	12.00	16,700	13,000	18,000	8.00	10800	580	5527440
	CAPT3131*4A*+MBVC1200**-1A*		18,000	13,500	15.00	12.50	16,700	13,000	17,600	8.10	10000	585	6497971
	CHPF2430B6C*+EEP+TXV		19,000	14,200	14.00	12.00	17,600	13,800	18,000	8.50	10400	600	6497972
	CHPF2430B6C*+MBR0800**-1+TXV		18,000	13,500	14.00	12.00	16,700	13,000	18,000	8.10	10200	600	3300350
	CHPF2430B6C*+MBVC1200**-1A*+TXV		18,400	13,800	14.00	12.00	17,100	13,300	18,000	8.50	10800	600	6497973
	CHPF2430B6C*+TXV	G*E80603B*B*	18,000	13,500	15.00	12.50	16,700	13,000	16,800	8.10	10200	670	5038647
CHPF2430B6C*+TXV	A*VM960603BxB*	18,000	13,500	15.00	12.50	16,700	13,000	18,000	8.10	10200	600	5937510	
CHPF2430B6C*+TXV	G*VC950453BxB*	18,000	13,500	15.00	12.50	16,700	13,000	18,000	8.10	10200	600	5937511	
CHPF2430B6C*+TXV	G*VM960603BxB*	18,000	13,500	15.00	12.50	16,700	13,000	18,000	8.10	10200	600	5937512	
CHPF2430B6C*+TXV	A*VC950453BxB*	18,000	13,500	15.00	12.50	16,700	13,000	18,000	8.10	10200	600	6497974	
CHPF2430B6C*+TXV	A*EH800603B*A*	18,000	13,500	15.00	12.50	16,700	13,000	16,800	8.10	10200	670	6844590	
CHPF3636B6C*+MBVC1200**-1A*+TXV		19,000	14,200	15.00	13.00	17,600	13,800	18,000	8.50	10400	650	6497975	
CSCF3036N6D*+TXV	G*VC950453BxB*	18,000	13,500	15.00	12.50	16,700	13,000	18,000	8.10	10200	650	5937513	
CSCF3036N6D*+TXV	A*VC950453BxB*	18,000	13,500	15.00	12.50	16,700	13,000	18,000	8.10	10200	650	6497976	

¹ Seasonal Energy Efficiency Ratio; Certified per ARI 210/240 @ 80°F/ 67°F/ 95°F

³ TVA Rating: BTU/h @ 75°F/ 63°F - 95°F

² Energy Efficiency Ratio @ 80°F/ 67°F/ 95°F

⁴ HSPF = Heating Seasonal Performance Factor

NOTES

- ° Always check the S&R plate for electrical data on the unit being installed.
- ° When matching outdoor unit to indoor unit, use the piston supplied with the outdoor unit or that specified on the piston kit chart supplied with the indoor unit.
- ° EEP - Order from Service Dept. Part No. B13707-38 or new Solid State Board B13707-35S. Part No. B13707-38 is not interchangeable with B13707-35S. The Goodman Gas Furnace contains the EEP cooling time delay

OUTDOOR UNIT	INDOOR UNITS		COOLING CAPACITY (BTU/H)				TVA RATINGS ³		HEATING CAPACITY			CFM	AHRI #
	COILS/AIR HANDLERS	FURNACES	TOTAL	SENS.	SEER ¹	EER ²	TOTAL	SENS.	HI	HSPF ⁴	LOW		
SSZ14 0241B*	ACNF24XX16D*+TXV		23,000	17,300	13.50	11.50	21,200	17,000	24,600	7.70	14000	835	5561901
	ARPT24B14A*		24,000	18,100	13.50	11.50	22,200	17,800	24,000	8.00	14000	820	5358286
	ARPT30B14A*		24,000	18,100	14.00	12.00	22,200	17,800	23,600	8.00	14200	850	5458810
	ARUF24B14C*+TXV		23,200	17,500	13.50	11.50	21,400	17,200	23,600	7.80	14100	800	7084841
	ARUF30B14A*+TXV		24,000	18,100	14.00	12.00	22,200	17,800	23,600	8.00	14200	850	5458809
	ASPT24B14A*		22,600	17,000	14.00	11.50	21,000	16,700	22,000	8.00	13000	810	5722669
	ASUF29B14A*		22,600	17,000	13.50	11.00	21,000	16,700	22,000	8.00	13600	810	5722671
	ASUF29B14A*+TXV		22,600	17,000	14.00	11.50	21,000	16,700	22,000	8.00	13000	810	5722670
	ASUF39C14A*		23,600	17,800	14.50	12.00	21,800	17,500	22,000	8.20	12700	885	5722763
	ASUF39C14A*+TXV		23,600	17,800	15.00	12.50	21,800	17,500	22,000	8.50	12700	885	5722764
	AVPTC24B14A*		22,600	17,000	14.00	11.50	21,000	16,700	22,000	8.00	13000	800	5924409
	AWUF31XX16A*+TXV		24,000	18,100	15.00	12.70	22,200	17,800	23,000	8.50	13400	840	3853247
	AWUF32XX16A*		24,000	18,100	14.50	12.50	22,200	17,800	23,000	8.50	13400	840	3853250
	AWUF32XX16A*+TXV		24,000	18,100	15.00	12.70	22,200	17,800	23,000	8.50	13400	840	3853249
	CA*F3636*6D*+EEP+TXV		24,000	18,100	14.00	12.00	22,200	17,800	24,000	8.00	14000	800	4392840
	CA*F3636*6D*+MBR0800**~1+TXV		24,000	18,100	14.00	12.00	22,200	17,800	24,000	8.20	14500	850	4392841
	CA*F3636*6D*+MBVC1600**~1A*+TXV		24,000	18,100	15.00	13.00	22,200	17,800	22,000	8.50	12000	850	4392843
	CA*F3636*6D*+TXV	G*E80603B*B*	23,600	17,800	15.00	12.50	21,800	17,500	23,000	8.30	14500	860	5038718
	CA*F3636*6D*+TXV	A*VC950704CXB*	23,600	17,800	15.00	12.50	21,800	17,500	23,000	8.30	14500	800	5937514
	CA*F3636*6D*+TXV	A*VC950714CXB*	23,600	17,800	15.00	12.50	21,800	17,500	23,000	8.20	14500	800	5937515
	CA*F3636*6D*+TXV	A*VM960603BXB*	23,600	17,800	14.50	12.20	21,800	17,500	23,600	8.30	14500	800	5937516
	CA*F3636*6D*+TXV	A*VM960604CXB*	23,600	17,800	15.00	12.50	21,800	17,500	23,000	8.20	14500	800	5937517
	CA*F3636*6D*+TXV	G*VC950453BXB*	23,600	17,800	14.50	12.20	21,800	17,500	23,600	8.30	14500	800	5937518
	CA*F3636*6D*+TXV	G*VC950704CXB*	23,600	17,800	15.00	12.50	21,800	17,500	23,000	8.30	14500	800	5937519
	CA*F3636*6D*+TXV	G*VC950714CXB*	23,600	17,800	15.00	12.50	21,800	17,500	23,000	8.20	14500	800	5937520
	CA*F3636*6D*+TXV	G*VM960603BXB*	23,600	17,800	14.50	12.20	21,800	17,500	23,600	8.30	14500	800	5937521
	CA*F3636*6D*+TXV	G*VM960604CXB*	23,600	17,800	15.00	12.50	21,800	17,500	23,000	8.20	14500	800	5937522
	CA*F3636*6D*+TXV	A*VC950453BXB*	23,600	17,800	14.50	12.20	21,800	17,500	23,600	8.30	14500	800	6497977
	CA*F3636*6D*+TXV	A*EH800603B*A*	23,600	17,800	15.00	12.50	21,800	17,500	23,000	8.30	14500	860	6844657
	CAPT3131*4A*+EEP		23,000	17,300	13.50	11.50	21,200	17,000	21,600	7.70	14200	800	5611344
	CAPT3131*4A*+MBVC1200**~1A*		23,600	17,800	14.50	12.00	21,800	17,500	21,000	8.00	13600	850	5611352
	CHPF3636B6C*+EEP+TXV		24,000	18,100	14.00	12.00	22,200	17,800	24,000	8.20	12000	800	3300354
CHPF3636B6C*+MBR0800**~1+TXV		24,000	18,100	14.00	12.00	22,200	17,800	24,000	8.20	14500	850	3300356	
CHPF3636B6C*+MBVC1200**~1A*+TXV		24,000	18,100	15.00	12.50	22,200	17,800	24,000	8.50	14500	850	3610008	
CHPF3636B6C*+TXV	G*E80603B*B*	24,000	18,100	15.00	12.50	22,200	17,800	24,000	8.30	14500	860	5038643	
CHPF3636B6C*+TXV	A*VM960603BXB*	24,000	18,100	14.50	12.20	22,200	17,800	24,000	8.30	14500	800	5937523	
CHPF3636B6C*+TXV	G*VC950453BXB*	24,000	18,100	14.50	12.20	22,200	17,800	24,000	8.30	14500	800	5937524	
CHPF3636B6C*+TXV	G*VM960603BXB*	24,000	18,100	14.50	12.20	22,200	17,800	24,000	8.30	14500	800	5937525	
CHPF3636B6C*+TXV	A*VC950453BXB*	24,000	18,100	14.50	12.20	22,200	17,800	24,000	8.30	14500	800	6497978	
CHPF3636B6C*+TXV	A*EH800603B*A*	24,000	18,100	15.00	12.50	22,200	17,800	24,000	8.30	14500	860	6844585	
CHPF3642C6C*+MBVC1600**~1A*+TXV		24,000	18,100	15.00	12.50	22,200	17,800	22,000	8.50	12000	850	3610014	
CHPF3743C6B*+TXV	A*VC950704CXB*	23,600	17,800	14.50	12.20	21,800	17,500	23,600	8.30	14500	800	5937526	
CHPF3743C6B*+TXV	G*VC950704CXB*	23,600	17,800	14.50	12.20	21,800	17,500	23,600	8.30	14500	800	5937527	
CSCF3036N6D*+TXV	A*VC950453BXB*	24,000	18,100	14.50	12.20	22,200	17,800	23,400	8.30	14500	800	6497979	

¹ Seasonal Energy Efficiency Ratio; Certified per ARI 210/240 @ 80°F/ 67°F/ 95°F

³ TVA Rating: BTU/h @ 75°F/ 63°F - 95°F

² Energy Efficiency Ratio @ 80°F/ 67°F/ 95°F

⁴ HSPF = Heating Seasonal Performance Factor

NOTES

- ° Always check the S&R plate for electrical data on the unit being installed.
- ° When matching outdoor unit to indoor unit, use the piston supplied with the outdoor unit or that specified on the piston kit chart supplied with the indoor unit.
- ° EEP - Order from Service Dept. Part No. B13707-38 or new Solid State Board B13707-35S. Part No. B13707-38 is not interchangeable with B13707-35S. The Goodman Gas Furnace contains the EEP cooling time delay

OUTDOOR UNIT	INDOOR UNITS		COOLING CAPACITY (BTU/H)				TVA RATINGS ³		HEATING CAPACITY			CFM	AHRI #
	COILS/AIR HANDLERS	FURNACES	TOTAL	SENS.	SEER ¹	EER ²	TOTAL	SENS.	HI	HSPF ⁴	LOW		
SSZ14 0301B*	ACNF30XX16D*+TXV		27,200	19,700	13.50	11.50	25,200	21,200	27,200	7.70	16000	860	5561902
	ARPT30B14A*		28,000	20,200	14.00	11.50	26,000	21,800	27,400	8.00	16200	840	5358287
	ARPT36C14A*		28,000	20,200	14.00	11.50	26,000	21,800	27,400	8.00	16200	810	5590002
	ARUF30B14A*		27,800	20,000	13.00	11.50	25,800	21,600	27,400	7.80	16200	835	5464285
	ARUF30B14A*+TXV		28,000	20,200	14.00	12.00	26,000	21,800	27,400	8.00	16300	835	5464286
	ASUF39C14A*		28,000	20,200	14.50	12.00	26,000	21,800	27,000	8.20	15600	905	5722674
	ASUF39C14A*+TXV		28,000	20,200	15.00	12.50	26,000	21,800	27,000	8.50	15600	905	5722675
	AVPTC36C14A*		28,000	20,200	15.00	12.50	26,000	21,800	27,000	8.50	15600	930	5924410
	AWUF31XX16A*		28,800	20,800	14.00	12.00	26,600	22,400	28,000	8.50	18000	1020	3853216
	AWUF32XX16A*		28,800	20,800	14.00	12.00	26,600	22,400	28,000	8.50	18000	1020	3853217
	AWUF32XX16A*+TXV		28,800	20,800	14.50	12.30	26,600	22,400	28,000	8.50	18000	1020	3853252
	CA*F3636*6D*+EEP+TXV		28,800	20,800	14.00	12.00	26,600	22,400	28,000	8.30	18000	1000	4392853
	CA*F3636*6D*+MBVC1200**-.1A*+TXV		28,800	20,800	15.00	13.00	26,600	22,400	28,000	8.50	18000	950	4392854
	CA*F3636*6D*+TXV	A*VC950704CXB*	28,800	20,800	15.00	12.50	26,600	22,400	28,000	8.50	18000	950	5937528
	CA*F3636*6D*+TXV	A*VC950714CXB*	28,800	20,800	15.00	12.50	26,600	22,400	28,000	8.50	18000	950	5937529
	CA*F3636*6D*+TXV	A*VM960603BXB*	28,800	20,800	15.00	12.00	26,600	22,400	28,000	8.50	18000	950	5937530
	CA*F3636*6D*+TXV	A*VM960604CXB*	28,800	20,800	15.00	12.50	26,600	22,400	28,000	8.50	18000	950	5937531
	CA*F3636*6D*+TXV	G*VC950453BXB*	28,800	20,800	15.00	12.00	26,600	22,400	28,000	8.50	18000	950	5937532
	CA*F3636*6D*+TXV	G*VC950704CXB*	28,800	20,800	15.00	12.00	26,600	22,400	28,000	8.50	18000	950	5937533
	CA*F3636*6D*+TXV	G*VC950714CXB*	28,800	20,800	15.00	12.00	26,600	22,400	28,000	8.50	18000	950	5937534
	CA*F3636*6D*+TXV	G*VM960603BXB*	28,800	20,800	15.00	12.00	26,600	22,400	28,000	8.50	18000	950	5937535
	CA*F3636*6D*+TXV	G*VM960604CXB*	28,800	20,800	15.00	12.00	26,600	22,400	28,000	8.50	18000	950	5937536
	CA*F3636*6D*+TXV	A*VC80603B*B*	28,800	20,800	15.00	12.50	26,600	22,400	28,600	8.50	16600	1000	6497980
	CA*F3636*6D*+TXV	A*VC80604B*B*	28,800	20,800	15.00	12.50	26,600	22,400	28,600	8.50	16600	1000	6497981
	CA*F3636*6D*+TXV	A*VC950453BXB*	28,800	20,800	15.00	12.50	26,600	22,400	28,800	9.00	18000	950	6497982
	CA*F3636*6D*+TXV	G*VC80604B*B*	28,800	20,800	15.00	12.50	26,600	22,400	28,600	8.50	16600	1000	6497983
	CA*F3642*6D*+MBR1600**-.1+TXV		28,800	20,800	14.00	12.00	26,600	22,400	29,000	8.50	18000	1050	6497984
	CA*F3743*6D*+EEP+TXV		28,400	20,600	14.00	12.00	26,400	22,200	28,200	8.50	18000	1000	4415219
	CA*F3743*6D*+MBVC1600**-.1A*+TXV		28,800	20,800	15.00	12.50	26,600	22,400	27,400	8.50	18000	1000	4415240
	CA*F3743*6D*+TXV	G*E80805C*B*	28,800	20,800	14.50	12.20	26,600	22,400	27,800	8.50	16600	1060	5038616
	CA*F3743*6D*+TXV	G*E81005C*B*	28,800	20,800	14.50	12.20	26,600	22,400	27,800	8.50	16600	1080	5038617
	CA*F3743*6D*+TXV	A*VC950704CXB*	28,800	20,800	14.50	12.00	26,600	22,400	27,600	8.50	16200	1000	5937537
	CA*F3743*6D*+TXV	A*VC950714CXB*	28,800	20,800	14.50	12.00	26,600	22,400	27,800	8.20	18000	1000	5937538
	CA*F3743*6D*+TXV	A*VM960604CXB*	28,800	20,800	14.50	12.00	26,600	22,400	27,800	8.20	18000	1000	5937539
	CA*F3743*6D*+TXV	G*VC950704CXB*	28,800	20,800	14.50	12.00	26,600	22,400	27,600	8.50	16200	1000	5937540
	CA*F3743*6D*+TXV	G*VC950714CXB*	28,800	20,800	14.50	12.00	26,600	22,400	27,800	8.20	18000	1000	5937541
	CA*F3743*6D*+TXV	G*VM960604CXB*	28,800	20,800	14.50	12.00	26,600	22,400	27,800	8.20	18000	1000	5937542
	CA*F3743*6D*+TXV	A*VC80805C*B*	28,800	20,800	14.50	12.20	26,600	22,400	28,000	8.50	16600	990	6497985
	CA*F3743*6D*+TXV	ADVC80805C*B*	28,800	20,800	14.50	12.20	26,600	22,400	27,400	8.50	16600	990	6497986
	CA*F3743*6D*+TXV	G*VC80805C*B*	28,800	20,800	14.50	12.20	26,600	22,400	28,000	8.50	16600	990	6497987
	CA*F3743*6D*+TXV	A*EH800805C*A*	28,800	20,800	14.50	12.20	26,600	22,400	27,800	8.50	16600	1060	6844566
	CA*F3743*6D*+TXV	A*EH801005C*A*	28,800	20,800	14.50	12.20	26,600	22,400	27,800	8.50	16600	1080	6844567
	CAPT3743*4A*	G*E80805C*B*	28,800	20,800	14.50	12.00	26,600	22,400	26,800	8.20	16600	850	5520810
	CAPT3743*4A*	G*E81005C*B*	28,800	20,800	14.50	12.00	26,600	22,400	26,800	8.20	16600	1080	5520811
	CAPT3743*4A*	A*VC950704CXB*	28,800	20,800	14.50	12.00	26,600	22,400	26,600	8.50	16200	875	5937543
	CAPT3743*4A*	A*VC950714CXB*	28,800	20,800	14.50	12.00	26,600	22,400	26,600	8.20	18000	875	5937544
	CAPT3743*4A*	A*VM960604CXB*	28,800	20,800	14.50	12.00	26,600	22,400	26,600	8.20	18000	855	5937545
	CAPT3743*4A*	G*VC950704CXB*	28,800	20,800	14.50	12.00	26,600	22,400	26,600	8.50	16200	875	5937546
	CAPT3743*4A*	G*VC950714CXB*	28,800	20,800	14.50	12.00	26,600	22,400	26,600	8.20	18000	875	5937547
	CAPT3743*4A*	G*VM960604CXB*	28,800	20,800	14.50	12.00	26,600	22,400	26,600	8.20	18000	855	5937548
CAPT3743*4A*	A*EH800805C*A*	28,800	20,800	14.50	12.00	26,600	22,400	26,800	8.20	16600	850	6844665	

See Notes on Page 24.

OUTDOOR UNIT	INDOOR UNITS		COOLING CAPACITY (BTU/H)				TVA RATINGS ³		HEATING CAPACITY			CFM	AHRI #
	COILS/AIR HANDLERS	FURNACES	TOTAL	SENS.	SEER ¹	EER ²	TOTAL	SENS.	HI	HSPF ⁴	LOW		
SSZ14 0301B* (cont.)	CAPT3743*4A*	A*EH801005C*A*	28,800	20,800	14.50	12.00	26,600	22,400	26,800	8.20	16600	1080	6844667
	CAPT3743*4A*+EEP		28,400	20,600	14.00	12.00	26,400	22,200	27,200	8.00	18000	850	5520827
	CAPT3743*4A*+MBVC1600**-1A*		28,800	20,800	15.00	12.50	26,600	22,400	26,800	8.20	18000	890	5527442
	CHPF3636B6C*+MBVC1200**-1A*+TXV		30,000	21,600	15.00	13.00	27,800	23,400	28,000	8.50	18000	1050	6497988
	CHPF3642C6C*+EEP+TXV		28,800	20,800	14.00	12.00	26,600	22,400	28,000	8.50	18000	1000	3300360
	CHPF3642C6C*+MBR1600**-1+TXV		28,800	20,800	14.00	12.00	26,600	22,400	29,000	8.50	18000	1000	3300362
	CHPF3642C6C*+MBVC1200**-1A*+TXV		30,000	21,600	15.00	13.00	27,800	23,400	28,000	8.50	18000	1050	6506558
	CHPF3642C6C*+MBVC1600**-1A*+TXV		28,800	20,800	15.00	12.50	26,600	22,400	29,000	8.50	18000	1000	3610015
	CHPF3642C6C*+TXV	G*E80805C*B*	28,800	20,800	14.50	12.20	26,600	22,400	28,400	8.50	16600	1060	5038648
	CHPF3642C6C*+TXV	G*E81005C*B*	28,800	20,800	14.50	12.20	26,600	22,400	28,200	8.50	16600	1080	5038670
	CHPF3642C6C*+TXV	A*VC950704CXB*	28,800	20,800	14.50	12.20	26,600	22,400	29,000	8.50	18000	950	5937549
	CHPF3642C6C*+TXV	A*VM960604CXB*	28,800	20,800	14.50	12.20	26,600	22,400	29,000	8.20	18000	950	5937550
	CHPF3642C6C*+TXV	G*VC950704CXB*	28,800	20,800	14.50	12.20	26,600	22,400	29,000	8.50	18000	950	5937551
	CHPF3642C6C*+TXV	G*VM960604CXB*	28,800	20,800	14.50	12.20	26,600	22,400	29,000	8.20	18000	950	5937552
	CHPF3642C6C*+TXV	A*VC80805C*B*	28,800	20,800	14.50	12.20	26,600	22,400	28,600	8.50	16600	990	6497989
	CHPF3642C6C*+TXV	G*VC80805C*B*	28,800	20,800	14.50	12.20	26,600	22,400	28,600	8.50	16600	990	6497990
	CHPF3642C6C*+TXV	A*EH800805C*A*	28,800	20,800	14.50	12.20	26,600	22,400	28,400	8.50	16600	1060	6844591
	CHPF3642C6C*+TXV	A*EH801005C*A*	28,800	20,800	14.50	12.20	26,600	22,400	28,200	8.50	16600	1080	6844612
	CHPF3743C6B*+MBVC1600**-1A*+TXV		28,800	20,800	15.00	12.50	26,600	22,400	29,000	8.50	18000	1000	3610024
	CHPF3743C6B*+TXV	A*VC950704CXB*	28,800	20,800	14.50	12.20	26,600	22,400	29,000	8.50	18000	950	5937553
CHPF3743C6B*+TXV	A*VM960604CXB*	28,800	20,800	14.50	12.20	26,600	22,400	29,000	8.20	18000	950	5937554	
CHPF3743C6B*+TXV	G*VC950704CXB*	28,800	20,800	14.50	12.20	26,600	22,400	29,000	8.50	18000	950	5937555	
CHPF3743C6B*+TXV	G*VM960604CXB*	28,800	20,800	14.50	12.20	26,600	22,400	29,000	8.20	18000	950	5937556	
CSCF3642N6D*+TXV	G*VC950704CXB*	28,800	20,800	14.50	12.00	26,600	22,400	28,800	8.50	17800	900	5937557	
CSCF3642N6D*+TXV	A*VC950704CXB*	28,800	20,800	14.50	12.00	26,600	22,400	28,800	8.50	17800	900	6497991	
SSZ14 0361B*	ARPT36C14A*		33,000	25,200	13.50	11.00	30,600	25,600	33,200	8.10	20000	1235	5358290
	ARPT36D14A*		33,400	25,600	14.00	11.50	31,000	26,000	30,000	8.30	20000	1120	5358288
	ARUF48D14A*		34,000	26,000	13.00	11.50	31,400	26,400	33,000	8.20	20000	1125	5492062
	ASPT36C14A*		32,000	24,400	14.00	12.00	29,600	24,800	32,000	8.20	19300	1095	5722678
	ASPT42C14A*		33,000	25,200	14.00	12.00	30,600	25,600	33,000	8.00	19000	1125	7040834
	ASUF39C14A*		33,600	25,600	14.00	12.00	31,200	26,200	32,000	8.20	19000	1200	5722676
	ASUF39C14A*+TXV		33,600	25,600	14.00	12.00	31,200	26,200	32,000	8.20	19000	1200	5722677
	AVPTC36C14A*		32,000	24,400	14.00	12.00	29,600	24,800	32,000	8.00	19300	1100	5924428
	AVPTC48C14A*		33,000	25,200	14.00	12.00	30,600	25,600	33,000	8.00	19000	1110	7040853
	AWUF37XX16B*+TXV		32,000	24,400	13.50	11.50	29,600	24,800	32,000	8.50	18000	1150	5010811
	CA*F3743*6D*	A*VC950905CXB*	34,000	26,000	14.50	12.50	31,400	26,400	32,200	8.50	18000	1270	6497992
	CA*F3743*6D*+TXV	A*VC80805C*B*	34,000	26,000	15.00	12.00	31,400	26,400	33,000	8.50	18000	1200	5953881
	CA*F4961*6D*	G*E81005C*B*	34,600	26,400	14.50	12.20	32,000	27,000	33,400	8.50	20000	1230	5038656
	CA*F4961*6D*	G*E80805C*B*	34,600	26,400	14.50	12.20	32,000	27,000	33,400	8.50	20000	1290	5038719
	CA*F4961*6D*	A*VC950704CXB*	34,600	26,400	14.50	12.20	32,000	27,000	33,400	8.50	20000	1250	5937558
	CA*F4961*6D*	A*VC950714CXB*	34,600	26,400	14.50	12.20	32,000	27,000	33,400	8.50	20000	1275	5937559
	CA*F4961*6D*	A*VC950905CXB*	35,000	26,800	15.00	12.50	32,400	27,200	33,400	8.70	20000	1300	5937560
	CA*F4961*6D*	A*VC950905DXB*	35,000	26,800	15.00	12.50	32,400	27,200	33,400	8.90	20000	1300	5937561
	CA*F4961*6D*	A*VC950915DXB*	35,000	26,800	15.00	12.50	32,400	27,200	33,400	8.70	20000	1300	5937562
	CA*F4961*6D*	A*VC951155DXB*	35,000	26,800	15.00	12.50	32,400	27,200	33,400	8.80	20000	1250	5937563
	CA*F4961*6D*	A*VM960604CXB*	34,600	26,400	14.50	12.20	32,000	27,000	33,400	8.50	20000	1275	5937564
	CA*F4961*6D*	G*VC950704CXB*	34,600	26,400	14.50	12.20	32,000	27,000	33,400	8.50	20000	1250	5937565
	CA*F4961*6D*	G*VC950714CXB*	34,600	26,400	14.50	12.20	32,000	27,000	33,400	8.50	20000	1250	5937566
CA*F4961*6D*	G*VC950905CXB*	35,000	26,800	15.00	12.50	32,400	27,200	33,400	8.70	20000	1300	5937567	
CA*F4961*6D*	G*VC950905DXB*	35,000	26,800	15.00	12.50	32,400	27,200	33,400	8.90	20000	1300	5937568	
CA*F4961*6D*	G*VC950915DXB*	35,000	26,800	15.00	12.50	32,400	27,200	33,400	8.70	20000	1300	5937569	

See Notes on Page 35.

OUTDOOR UNIT	INDOOR UNITS		COOLING CAPACITY (BTU/H)				TVA RATINGS ³		HEATING CAPACITY			CFM	AHRI #
	COILS/AIR HANDLERS	FURNACES	TOTAL	SENS.	SEER ¹	EER ²	TOTAL	SENS.	HI	HSPF ⁴	LOW		
SSZ14 0361B* (cont.)	CA*F4961*6D*	G*VC951155DXB*	35,000	26,800	15.00	12.50	32,400	27,200	33,400	8.80	20000	1250	5937570
	CA*F4961*6D*	G*VM960604CXB*	34,600	26,400	14.50	12.20	32,000	27,000	33,400	8.50	20000	1250	5937571
	CA*F4961*6D*	G*VM960805CXB*	35,000	26,800	15.00	12.50	32,400	27,200	33,400	8.70	20000	1300	5937572
	CA*F4961*6D*	G*VM960805DXB*	35,000	26,800	15.00	12.50	32,400	27,200	33,400	8.70	20000	1300	5937573
	CA*F4961*6D*	G*VM961005DXB*	35,000	26,800	15.00	12.50	32,400	27,200	33,400	8.80	20000	1250	5937574
	CA*F4961*6D*	G*VM961155DXB*	35,000	26,800	15.00	12.50	32,400	27,200	33,400	8.80	20000	1250	5937575
	CA*F4961*6D*	A*EH801005C*A*	34,600	26,400	14.50	12.20	32,000	27,000	33,400	8.50	20000	1230	6844601
	CA*F4961*6D*	A*EH800805C*A*	34,600	26,400	14.50	12.20	32,000	27,000	33,400	8.50	20000	1290	6844659
	CA*F4961*6D*+EEP		34,800	26,600	14.00	12.00	32,200	27,000	33,400	8.50	20000	1250	4431858
	CA*F4961*6D*+EEP+TXV		35,000	26,800	14.00	12.00	32,400	27,200	33,400	8.50	20000	1250	4431859
	CA*F4961*6D*+MBR1600**-1		34,600	26,400	14.00	12.00	32,000	27,000	33,400	8.50	20000	1275	4431967
	CA*F4961*6D*+MBR1600**-1+TXV		34,600	26,400	14.00	12.00	32,000	27,000	33,400	8.50	20000	1275	4431968
	CA*F4961*6D*+MBVC1600**-1A*		35,000	26,800	14.50	12.20	32,400	27,200	33,000	9.00	20000	1250	4431969
	CA*F4961*6D*+MBVC1600**-1A*+TXV		35,000	26,800	14.50	12.20	32,400	27,200	33,000	9.00	20000	1250	4431970
	CA*F4961*6D*+MBVC2000**-1A*		35,000	26,800	15.00	13.00	32,400	27,200	33,000	9.00	20000	1250	4431971
	CA*F4961*6D*+MBVC2000**-1A*+TXV		35,000	26,800	15.00	13.00	32,400	27,200	33,000	9.00	20000	1250	4431972
	CA*F4961*6D*+TXV	G*E81005C*B*	34,600	26,400	14.50	12.20	32,000	27,000	33,400	8.50	20000	1230	5038657
	CA*F4961*6D*+TXV	G*E80805C*B*	34,600	26,400	14.50	12.20	32,000	27,000	33,400	8.50	20000	1290	5038688
	CA*F4961*6D*+TXV	A*VC950704CXB*	34,600	26,400	14.50	12.20	32,000	27,000	33,400	8.50	20000	1250	5937576
	CA*F4961*6D*+TXV	A*VC950714CXB*	34,600	26,400	14.50	12.20	32,000	27,000	33,400	8.50	20000	1275	5937577
	CA*F4961*6D*+TXV	A*VC950905CXB*	35,000	26,800	15.00	12.50	32,400	27,200	33,400	8.70	20000	1300	5937578
	CA*F4961*6D*+TXV	A*VC950905DXB*	35,000	26,800	15.00	12.50	32,400	27,200	33,400	8.90	20000	1300	5937579
	CA*F4961*6D*+TXV	A*VC950915DXB*	35,000	26,800	15.00	12.50	32,400	27,200	33,400	8.80	20000	1300	5937580
	CA*F4961*6D*+TXV	A*VC951155DXB*	35,000	26,800	15.00	12.50	32,400	27,200	33,400	8.80	20000	1250	5937581
	CA*F4961*6D*+TXV	A*VM960604CXB*	34,600	26,400	14.50	12.20	32,000	27,000	33,400	8.50	20000	1275	5937582
	CA*F4961*6D*+TXV	G*VC950704CXB*	34,600	26,400	14.50	12.20	32,000	27,000	33,400	8.50	20000	1250	5937583
	CA*F4961*6D*+TXV	G*VC950714CXB*	34,600	26,400	14.50	12.20	32,000	27,000	33,400	8.50	20000	1250	5937584
	CA*F4961*6D*+TXV	G*VC950905CXB*	35,000	26,800	15.00	12.50	32,400	27,200	33,400	8.70	20000	1300	5937585
	CA*F4961*6D*+TXV	G*VC950905DXB*	35,000	26,800	15.00	12.50	32,400	27,200	33,400	8.90	20000	1300	5937586
	CA*F4961*6D*+TXV	G*VC950915DXB*	35,000	26,800	15.00	12.50	32,400	27,200	33,400	8.80	20000	1300	5937587
	CA*F4961*6D*+TXV	G*VC951155DXB*	35,000	26,800	15.00	12.50	32,400	27,200	33,400	8.80	20000	1250	5937588
	CA*F4961*6D*+TXV	G*VM960604CXB*	34,600	26,400	14.50	12.20	32,000	27,000	33,400	8.50	20000	1250	5937589
	CA*F4961*6D*+TXV	G*VM960805CXB*	35,000	26,800	15.00	12.50	32,400	27,200	33,400	8.70	20000	1300	5937590
	CA*F4961*6D*+TXV	G*VM960805DXB*	35,000	26,800	15.00	12.50	32,400	27,200	33,400	8.80	20000	1300	5937591
	CA*F4961*6D*+TXV	G*VM961005DXB*	35,000	26,800	15.00	12.50	32,400	27,200	33,400	8.80	20000	1250	5937592
	CA*F4961*6D*+TXV	G*VM961155DXB*	35,000	26,800	15.00	12.50	32,400	27,200	33,400	8.80	20000	1250	5937593
	CA*F4961*6D*+TXV	A*EH801005C*A*	34,600	26,400	14.50	12.20	32,000	27,000	33,400	8.50	20000	1230	6844602
	CA*F4961*6D*+TXV	A*EH800805C*A*	34,600	26,400	14.50	12.20	32,000	27,000	33,400	8.50	20000	1290	6844628
	CHPF3743C6B*+MBVC1600**-1A*		33,400	25,600	14.50	12.00	31,000	26,000	33,000	8.50	18000	1250	5614954
	CHPF4860D6D*	A*VC950704CXB*	34,600	26,400	15.00	12.50	32,000	27,000	33,400	8.80	20000	1250	5937594
	CHPF4860D6D*	A*VC951155DXB*	34,600	26,400	15.00	12.50	32,000	27,000	33,400	8.80	20000	1250	5937595
	CHPF4860D6D*	A*VM960604CXB*	34,600	26,400	15.00	12.50	32,000	27,000	33,400	8.50	20000	1250	5937596
	CHPF4860D6D*	A*VM961005DXB*	34,600	26,400	15.00	12.50	32,000	27,000	33,400	8.80	20000	1250	5937597
	CHPF4860D6D*	A*VM961155DXB*	34,600	26,400	15.00	12.50	32,000	27,000	33,400	8.80	20000	1250	5937598
	CHPF4860D6D*	G*VC950704CXB*	34,600	26,400	15.00	12.50	32,000	27,000	33,400	8.80	20000	1250	5937599
	CHPF4860D6D*	G*VC951155DXB*	34,600	26,400	15.00	12.50	32,000	27,000	33,400	8.80	20000	1250	5937600
	CHPF4860D6D*	G*VM960604CXB*	34,600	26,400	15.00	12.50	32,000	27,000	33,400	8.50	20000	1250	5937601
	CHPF4860D6D*	G*VM961005DXB*	34,600	26,400	15.00	12.50	32,000	27,000	33,400	8.80	20000	1250	5937602
CHPF4860D6D*	G*VM961155DXB*	34,600	26,400	15.00	12.50	32,000	27,000	33,400	8.80	20000	1250	5937603	
CHPF4860D6D*+EEP		34,800	26,600	14.00	12.00	32,200	27,000	33,000	8.60	20000	1250	4260497	
CHPF4860D6D*+EEP+TXV		35,000	26,800	14.00	12.00	32,400	27,200	33,000	8.60	20000	1250	4260498	

See Notes on Page 35.

OUTDOOR UNIT	INDOOR UNITS		COOLING CAPACITY (BTU/H)				TVA RATINGS ³		HEATING CAPACITY			CFM	AHRI #	
	COILS/AIR HANDLERS	FURNACES	TOTAL	SENS.	SEER ¹	EER ²	TOTAL	SENS.	HI	HSPF ⁴	LOW			
SSZ14 0361B* (cont.)	CHPF4860D6D*+MBVC2000**-1A*		34,600	26,400	15.00	13.00	32,000	27,000	33,000	9.00	20000	1200	4260501	
	CHPF4860D6D*+MBVC2000**-1A*+TXV		34,600	26,400	15.00	13.00	32,000	27,000	33,000	9.00	20000	1200	4260502	
	CHPF4860D6D*+TXV	A*VC950905DXB*	34,600	26,400	15.00	12.50	32,000	27,000	33,400	8.80	20000	1275	5937604	
	CHPF4860D6D*+TXV	A*VC951155DXB*	34,600	26,400	15.00	12.50	32,000	27,000	33,400	8.80	20000	1250	5937605	
	CHPF4860D6D*+TXV	A*VM961005DXB*	34,600	26,400	15.00	12.50	32,000	27,000	33,400	8.80	20000	1250	5937606	
	CHPF4860D6D*+TXV	A*VM961155DXB*	34,600	26,400	15.00	12.50	32,000	27,000	33,400	8.80	20000	1250	5937607	
	CHPF4860D6D*+TXV	G*VC950905DXB*	34,600	26,400	15.00	12.50	32,000	27,000	33,400	8.80	20000	1275	5937608	
	CHPF4860D6D*+TXV	G*VC951155DXB*	34,600	26,400	15.00	12.50	32,000	27,000	33,400	8.80	20000	1250	5937609	
	CHPF4860D6D*+TXV	G*VM961005DXB*	34,600	26,400	15.00	12.50	32,000	27,000	33,400	8.80	20000	1250	5937610	
	CHPF4860D6D*+TXV	G*VM961155DXB*	34,600	26,400	15.00	12.50	32,000	27,000	33,400	8.80	20000	1250	5937611	
	CSCF4860N6D*	A*VC951155DXB*	34,600	26,400	15.00	12.50	32,000	27,000	33,200	8.80	20000	1225	5937612	
	CSCF4860N6D*	G*VC951155DXB*	34,600	26,400	15.00	12.50	32,000	27,000	33,200	8.80	20000	1225	5937613	
	CSCF4860N6D*+MBVC1600**-1A*+TXV		34,600	26,400	15.00	12.50	32,000	27,000	33,200	8.80	20000	1200	4767707	
	CSCF4860N6D*+MBVC2000**-1A*+TXV		34,600	26,400	15.00	12.50	32,000	27,000	33,200	8.80	20000	1175	4767708	
	CSCF4860N6D*+TXV	A*VC951155DXB*	34,600	26,400	15.00	12.50	32,000	27,000	33,200	8.80	20000	1225	5937614	
	CSCF4860N6D*+TXV	G*VC951155DXB*	34,600	26,400	15.00	12.50	32,000	27,000	33,200	8.80	20000	1225	5937615	
	DV48PTCC14A*		33,000	25,200	14.00	12.00	30,600	25,600	33,000	8.00	19000	1110	7040854	
	SSZ14 0381A*	ASPT36C14A*		33,000	25,400	15.00	12.50	30,600	25,000	33,000	8.20	20400	1100	7063914
		ASPT42C14A*		33,600	25,800	15.00	12.50	31,200	25,600	34,000	9.00	20600	1175	7063912
		ASPT42D14A*		33,000	25,400	15.00	12.50	30,600	25,000	33,000	8.50	20400	1145	7063915
ASUF39C14A*+TXV			33,000	25,400	15.00	12.50	30,600	25,000	33,000	8.20	20400	1100	7063916	
AVPTC42D14A*			33,000	25,400	15.00	12.50	30,600	25,000	33,000	8.50	20400	1225	7063917	
AVPTC48C14A*			33,600	25,800	15.00	12.50	31,200	25,600	34,000	9.00	20600	1150	7063913	
AVPTC48D14A*			34,600	26,600	16.00	13.00	32,000	26,200	34,000	9.00	21000	1150	7063918	
AWUF37XX16B*+TXV			32,000	24,600	14.00	11.50	29,600	24,200	32,000	8.50	18000	1150	7063920	
CA*F3743*6D*+TXV		A*EH800805C*A*	34,600	26,600	15.00	12.50	32,000	26,200	34,000	9.00	21000	1200	7063928	
CA*F3743*6D*+TXV		A*VC80603B*B*	34,000	26,200	15.00	12.00	31,400	25,800	34,000	8.50	21000	1090	7063930	
CA*F3743*6D*+TXV		A*VC80604B*B*	34,000	26,200	15.00	12.50	31,400	25,800	34,000	8.50	21000	1220	7063932	
CA*F3743*6D*+TXV		A*VC80805C*B*	34,600	26,600	15.00	12.50	32,000	26,200	34,000	9.00	21000	1200	7063934	
CA*F3743*6D*+TXV		A*VC950905CXB*	33,000	25,400	15.00	12.50	30,600	25,000	32,000	9.00	21000	1120	7063938	
CA*F3743*6D*+TXV		A*VC950905DXB*	34,600	26,600	15.00	12.50	32,000	26,200	34,400	9.00	21000	1100	7063939	
CA*F3743*6D*+TXV		A*VC950915DXB*	34,600	26,600	15.00	12.50	32,000	26,200	34,400	9.00	21000	1100	7063940	
CA*F3743*6D*+TXV		ADV80805C*B*	34,600	26,600	15.00	12.50	32,000	26,200	34,000	9.00	21000	1200	7063944	
CA*F3743*6D*+TXV		G*E80805C*B*	34,600	26,600	15.00	12.50	32,000	26,200	34,000	9.00	21000	1200	7063946	
CA*F3743*6D*+TXV		G*VC80604B*B*	34,000	26,200	15.00	12.50	31,400	25,800	34,000	8.50	21000	1220	7063948	
CA*F3743*6D*+TXV		G*VC80805C*B*	34,600	26,600	15.00	12.50	32,000	26,200	34,000	9.00	21000	1200	7063950	
CA*F3743*6D*+TXV		G*VC950905DXB*	34,600	26,600	15.00	12.50	32,000	26,200	34,400	9.00	21000	1100	7063955	
CA*F3743*6D*+TXV		G*VC950915DXB*	34,600	26,600	15.00	12.50	32,000	26,200	34,400	9.00	21000	1100	7063960	
CA*F3743*6D*+TXV		G*VC951155DXB*	34,600	26,600	15.00	12.50	32,000	26,200	34,400	9.00	21000	1100	7063963	
CA*F3743*6D*+TXV		G*VM960805DXB*	34,600	26,600	15.00	12.50	32,000	26,200	34,400	9.00	21000	1100	7063968	
CA*F3743*6D*+TXV		G*VM961005DXB*	34,600	26,600	15.00	12.50	32,000	26,200	34,400	9.00	21000	1100	7063972	
CA*F3743*6D*+TXV		G*VM961155DXB*	34,600	26,600	15.00	12.50	32,000	26,200	34,400	9.00	21000	1100	7063975	
CA*F4961*6D*+EEP+TXV			34,600	26,600	14.50	12.20	32,000	26,200	34,400	8.20	21000	1100	7063921	
CA*F4961*6D*+MBVC2000**-1A*+TXV			34,600	26,600	16.00	13.00	32,000	26,200	34,400	9.00	21000	1150	7063922	
CA*F4961*6D*+TXV		A*VC950704CXB*	35,000	27,000	15.50	12.50	32,400	26,600	34,000	9.00	23000	1200	7063936	
CA*F4961*6D*+TXV		A*VC950714CXB*	35,000	27,000	15.50	12.50	32,400	26,600	34,000	9.00	23000	1200	7063937	
CA*F4961*6D*+TXV		A*VC950915DXB*	34,600	26,600	16.00	13.00	32,000	26,200	34,400	9.00	21000	1100	7063941	
CA*F4961*6D*+TXV	A*VM960604CXB*	35,000	27,000	15.00	12.50	32,400	26,600	34,000	9.00	23000	1200	7063943		
CA*F4961*6D*+TXV	G*VC950704CXB*	35,000	27,000	15.50	12.50	32,400	26,600	34,000	9.00	23000	1200	7063952		
CA*F4961*6D*+TXV	G*VC950714CXB*	35,000	27,000	15.50	12.50	32,400	26,600	34,000	9.00	23000	1200	7063954		
CA*F4961*6D*+TXV	G*VC950905DXB*	34,600	26,600	16.00	13.00	32,000	26,200	34,400	9.00	21000	1100	7063956		

See Notes on Page 35.

OUTDOOR UNIT	INDOOR UNITS		COOLING CAPACITY (BTU/H)				TVA RATINGS ³		HEATING CAPACITY			CFM	AHRI #	
	COILS/AIR HANDLERS	FURNACES	TOTAL	SENS.	SEER ¹	EER ²	TOTAL	SENS.	HI	HSPF ⁴	LOW			
SSZ14 0381A* (cont.)	CA*F4961*6D*+TXV	G*VC950915DXB*	34,600	26,600	16.00	13.00	32,000	26,200	34,400	9.00	21000	1100	7063961	
	CA*F4961*6D*+TXV	G*VM960604CXB*	35,000	27,000	15.00	12.50	32,400	26,600	34,000	9.00	23000	1200	7063967	
	CA*F4961*6D*+TXV	G*VM960805DXB*	34,600	26,600	16.00	13.00	32,000	26,200	34,400	9.00	21000	1100	7063969	
	CAPT3743*4A*	A*EH800805C*A*	33,400	25,800	15.00	12.50	31,000	25,400	33,200	9.00	21000	995	7063929	
	CAPT3743*4A*	A*VC80603B*B*	33,400	25,800	15.00	12.00	31,000	25,400	33,200	8.50	21000	1000	7063931	
	CAPT3743*4A*	A*VC80604B*B*	33,400	25,800	15.00	12.50	31,000	25,400	33,200	8.50	21000	1000	7063933	
	CAPT3743*4A*	A*VC80805C*B*	33,400	25,800	15.00	12.50	31,000	25,400	33,200	9.00	21000	1000	7063935	
	CAPT3743*4A*	A*VC950915DXB*	33,400	25,800	15.00	12.50	31,000	25,400	33,200	9.00	21000	1000	7063942	
	CAPT3743*4A*	ADV80805C*B*	33,400	25,800	15.00	12.50	31,000	25,400	33,000	9.00	21000	990	7063945	
	CAPT3743*4A*	G*E80805C*B*	33,400	25,800	15.00	12.50	31,000	25,400	33,200	9.00	21000	995	7063947	
	CAPT3743*4A*	G*VC80604B*B*	33,400	25,800	15.00	12.50	31,000	25,400	33,200	8.50	21000	1000	7063949	
	CAPT3743*4A*	G*VC80805C*B*	33,400	25,800	15.00	12.50	31,000	25,400	33,200	9.00	21000	1000	7063951	
	CAPT3743*4A*	G*VC950905DXB*	33,400	25,800	15.00	12.50	31,000	25,400	33,200	9.00	21000	1005	7063957	
	CAPT3743*4A*	G*VC950915DXB*	33,400	25,800	15.00	12.50	31,000	25,400	33,200	9.00	21000	1000	7063962	
	CAPT3743*4A*	G*VC951155DXB*	33,400	25,800	15.00	12.50	31,000	25,400	33,600	9.00	21000	1020	7063964	
	CAPT3743*4A*	G*VM960805DXB*	33,400	25,800	15.00	12.50	31,000	25,400	33,600	9.00	21000	1000	7063970	
	CAPT3743*4A*	G*VM961005DXB*	33,400	25,800	15.00	12.50	31,000	25,400	33,600	9.00	21000	1020	7063973	
	CAPT3743*4A*	G*VM961155DXB*	33,400	25,800	15.00	12.50	31,000	25,400	33,600	9.00	21000	1020	7063976	
	CAPT3743*4A*+EEP			32,400	25,000	14.00	11.50	30,000	24,600	32,000	8.00	20000	1000	7063923
	CAPT3743*4A*+MBVC1600**-1A*			32,400	25,000	15.00	12.50	30,000	24,600	32,000	8.50	20000	1000	7063924
	CHPF3743D6B*+MBVC2000**-1A*+TXV			34,600	26,600	15.00	12.50	32,000	26,200	34,400	8.50	21000	1200	7063925
	CHPF4860D6D*+EEP+TXV			34,600	26,600	14.50	12.20	32,000	26,200	34,400	8.20	21000	1100	7063926
	CHPF4860D6D*+MBVC2000**-1A*+TXV			34,600	26,600	16.00	13.00	32,000	26,200	34,400	9.00	21000	1150	7063927
	CHPF4860D6D*+TXV	G*VC950905DXB*		34,600	26,600	16.00	13.00	32,000	26,200	34,400	9.00	21000	1100	7063958
	CHPF4860D6D*+TXV	G*VC951155DXB*		34,600	26,600	16.00	13.00	32,000	26,200	34,400	9.00	21000	1100	7063965
	CHPF4860D6D*+TXV	G*VM960805DXB*		34,600	26,600	16.00	13.00	32,000	26,200	34,400	9.00	21000	1100	7063971
	CHPF4860D6D*+TXV	G*VM961005DXB*		34,600	26,600	16.00	13.00	32,000	26,200	34,400	9.00	21000	1100	7063974
	CHPF4860D6D*+TXV	G*VM961155DXB*		34,600	26,600	16.00	13.00	32,000	26,200	34,400	9.00	21000	1100	7063977
	CSCF4860N6D*+TXV	G*VC950704CXB*		35,000	27,000	15.50	12.50	32,400	26,600	34,600	9.00	21000	1225	7063953
	CSCF4860N6D*+TXV	G*VC950905DXB*		34,600	26,600	16.00	13.00	32,000	26,200	34,400	9.00	21000	1150	7063959
CSCF4860N6D*+TXV	G*VC951155DXB*		34,600	26,600	16.00	13.00	32,000	26,200	34,400	9.00	21000	1150	7063966	
DV48PTCC14A*			33,600	25,800	15.00	12.50	31,200	25,600	34,000	9.00	20600	1150	7063919	
SSZ14 0421A*	ARPT42D14A*		40,000	29,400	14.00	11.50	37,200	30,400	40,000	8.50	24200	1330	5358291	
	ARPT48D14A*		40,500	29,800	14.00	12.00	37,600	30,800	40,000	8.50	24200	1280	5458813	
	ARUF48D14A*		40,000	29,400	13.00	11.00	37,200	30,400	40,000	8.00	24200	1350	5497285	
	ARUF48D14A*+TXV		40,000	29,400	14.00	11.50	37,200	30,400	40,000	8.20	24200	1280	5492063	
	ASPT48C14A*		39,000	28,600	14.00	12.00	36,200	29,600	40,000	9.00	23000	1400	7079304	
	ASPT48D14A*		41,500	30,600	15.00	12.50	38,500	31,600	40,000	9.00	23000	1410	5796520	
	ASPT60D14A*		41,500	30,600	15.00	12.50	38,500	31,600	40,000	9.00	23000	1410	5722679	
	ASUF49C14A*		38,000	28,000	13.50	11.00	35,200	29,000	39,500	8.00	24000	1350	5620395	
	AVPTC48C14A*		39,000	28,600	14.00	12.00	36,200	29,600	40,000	9.00	23000	1400	7079305	
	AVPTC60D14A*		41,500	30,600	15.00	12.50	38,500	31,600	40,000	9.00	23000	1420	5924412	
	CA*F4860*6D*+TXV	A*VC950704CXB*		40,000	29,400	14.50	12.20	37,200	30,400	41,000	8.75	25000	1200	5937616
	CA*F4860*6D*+TXV	A*VC950714CXB*		40,000	29,400	14.50	12.20	37,200	30,400	41,000	8.75	25000	1200	5937617
	CA*F4860*6D*+TXV	G*VC950704CXB*		40,000	29,400	14.50	12.20	37,200	30,400	41,000	8.75	25000	1200	5937618
	CA*F4860*6D*+TXV	G*VC950714CXB*		40,000	29,400	14.50	12.20	37,200	30,400	41,000	8.75	25000	1200	5937619
	CA*F4961*6D*	A*VC81005C*B*		40,000	29,400	14.50	12.50	37,200	30,400	40,500	8.50	25000	1370	5514821
	CA*F4961*6D*	G*VC81005C*B*		40,000	29,400	14.50	12.50	37,200	30,400	40,500	8.50	25000	1370	5514822
	CA*F4961*6D*	A*VC950905DXB*		40,000	29,400	15.00	12.50	37,200	30,400	41,000	9.00	25000	1200	5937620
	CA*F4961*6D*	A*VC950915DXB*		40,000	29,400	15.00	12.50	37,200	30,400	41,000	9.00	25000	1200	5937621
	CA*F4961*6D*	A*VC951155DXB*		40,000	29,400	15.00	12.50	37,200	30,400	41,000	9.00	25000	1200	5937622
	CA*F4961*6D*	A*VM961005DXB*		40,000	29,400	15.00	12.50	37,200	30,400	41,000	9.00	25000	1200	5937623
CA*F4961*6D*	A*VM961155DXB*		40,000	29,400	15.00	12.50	37,200	30,400	41,000	9.00	25000	1200	5937624	

See Notes on Page 35.

OUTDOOR UNIT	INDOOR UNITS		COOLING CAPACITY (BTU/H)				TVA RATINGS ³		HEATING CAPACITY			CFM	AHRI #
	COILS/AIR HANDLERS	FURNACES	TOTAL	SENS.	SEER ¹	EER ²	TOTAL	SENS.	HI	HSPF ⁴	LOW		
SSZ14 0421A* (cont.)	CA*F4961*6D*	G*VC950905DXB*	40,000	29,400	15.00	12.50	37,200	30,400	41,000	9.00	25000	1200	5937625
	CA*F4961*6D*	G*VC950915DXB*	40,000	29,400	15.00	12.50	37,200	30,400	41,000	9.00	25000	1200	5937626
	CA*F4961*6D*	G*VC951155DXB*	40,000	29,400	15.00	12.50	37,200	30,400	41,000	9.00	25000	1200	5937627
	CA*F4961*6D*	G*VM961005DXB*	40,000	29,400	15.00	12.50	37,200	30,400	41,000	9.00	25000	1200	5937628
	CA*F4961*6D*	G*VM961155DXB*	40,000	29,400	15.00	12.50	37,200	30,400	41,000	9.00	25000	1200	5937629
	CA*F4961*6D*+EEP		41,000	30,200	14.00	12.00	38,000	31,200	41,000	9.00	27400	1250	4431860
	CA*F4961*6D*+EEP+TXV		41,000	30,200	14.00	12.00	38,000	31,200	41,000	9.00	27400	1250	4431861
	CA*F4961*6D*+MBR2000**-1		40,000	29,400	14.00	12.00	37,200	30,400	41,000	9.00	25000	1350	4431988
	CA*F4961*6D*+MBR2000**-1+TXV		40,000	29,400	14.00	12.00	37,200	30,400	41,000	9.00	25000	1350	4431989
	CA*F4961*6D*+MBVC2000**-1A*		40,000	29,400	15.00	12.50	37,200	30,400	41,000	9.00	25000	1350	4431990
	CA*F4961*6D*+MBVC2000**-1A*+TXV		40,000	29,400	15.00	12.50	37,200	30,400	41,000	9.00	25000	1350	4431991
	CA*F4961*6D*+TXV	A*VC81005C*B*	40,000	29,400	15.00	12.50	37,200	30,400	40,500	8.50	25000	1370	5514823
	CA*F4961*6D*+TXV	G*VC81005C*B*	40,000	29,400	15.00	12.50	37,200	30,400	40,500	8.50	25000	1370	5514824
	CA*F4961*6D*+TXV	A*VC950905CXB*	40,000	29,400	15.00	12.50	37,200	30,400	41,000	9.00	25000	1325	5937630
	CA*F4961*6D*+TXV	A*VC950905DXB*	40,000	29,400	15.00	12.50	37,200	30,400	41,000	9.00	25000	1200	5937631
	CA*F4961*6D*+TXV	A*VC950915DXB*	40,000	29,400	15.00	12.50	37,200	30,400	41,000	9.00	25000	1200	5937632
	CA*F4961*6D*+TXV	A*VC951155DXB*	40,000	29,400	15.00	12.50	37,200	30,400	41,000	9.00	25000	1200	5937633
	CA*F4961*6D*+TXV	A*VM961005DXB*	40,000	29,400	15.00	12.50	37,200	30,400	41,000	9.00	25000	1200	5937634
	CA*F4961*6D*+TXV	A*VM961155DXB*	40,000	29,400	15.00	12.50	37,200	30,400	41,000	9.00	25000	1200	5937635
	CA*F4961*6D*+TXV	G*VC950905CXB*	40,000	29,400	15.00	12.50	37,200	30,400	41,000	9.00	25000	1325	5937636
	CA*F4961*6D*+TXV	G*VC950905DXB*	40,000	29,400	15.00	12.50	37,200	30,400	41,000	9.00	25000	1200	5937637
	CA*F4961*6D*+TXV	G*VC950915DXB*	40,000	29,400	15.00	12.50	37,200	30,400	41,000	9.00	25000	1200	5937638
	CA*F4961*6D*+TXV	G*VC951155DXB*	40,000	29,400	15.00	12.50	37,200	30,400	41,000	9.00	25000	1200	5937639
	CA*F4961*6D*+TXV	G*VM961005DXB*	40,000	29,400	15.00	12.50	37,200	30,400	41,000	9.00	25000	1200	5937640
	CA*F4961*6D*+TXV	G*VM961155DXB*	40,000	29,400	15.00	12.50	37,200	30,400	41,000	9.00	25000	1200	5937641
	CA*F4961*6D*+TXV	A*VC80805C*B*	39,000	28,600	14.50	11.80	36,200	29,600	40,500	9.00	25000	1190	6497993
	CA*F4961*6D*+TXV	ADVC80805C*B*	38,500	28,200	14.50	11.50	35,800	29,200	40,500	9.00	25000	1190	6497994
	CA*F4961*6D*+TXV	G*VC80805C*B*	39,000	28,600	14.50	11.80	36,200	29,600	40,500	9.00	25000	1190	6497995
	CAPT4961*4A*	A*VC950915DXB*	40,000	29,400	15.00	12.50	37,200	30,400	40,500	9.00	25000	1295	5937642
	CAPT4961*4A*	A*VC951155DXB*	40,000	29,400	15.00	13.00	37,200	30,400	40,500	9.00	25000	1405	5937643
	CAPT4961*4A*	A*VM961005DXB*	40,000	29,400	15.00	12.50	37,200	30,400	40,500	9.00	25000	1405	5937644
	CAPT4961*4A*	A*VM961155DXB*	40,000	29,400	15.00	12.50	37,200	30,400	40,500	9.00	25000	1405	5937645
	CAPT4961*4A*	G*VC950905DXB*	40,000	29,400	15.00	12.50	37,200	30,400	40,500	9.00	25000	1315	5937646
	CAPT4961*4A*	G*VC950915DXB*	40,000	29,400	15.00	12.50	37,200	30,400	40,500	9.00	25000	1295	5937647
	CAPT4961*4A*	G*VC951155DXB*	40,000	29,400	15.00	13.00	37,200	30,400	40,500	9.00	25000	1405	5937648
	CAPT4961*4A*	G*VM961005DXB*	40,000	29,400	15.00	12.50	37,200	30,400	40,500	9.00	25000	1405	5937649
	CAPT4961*4A*	G*VM961155DXB*	40,000	29,400	15.00	12.50	37,200	30,400	40,500	9.00	25000	1405	5937650
	CAPT4961*4A*	A*VC80805C*B*	39,000	28,600	14.50	11.80	36,200	29,600	40,500	9.00	25000	1390	6497996
	CAPT4961*4A*	A*VC950905DXB*	40,000	29,400	15.00	12.50	37,200	30,400	40,500	9.00	25000	1315	6497997
	CAPT4961*4A*	ADVC80805C*B*	38,500	28,200	14.50	11.50	35,800	29,200	40,500	9.00	25000	1375	6497998
	CAPT4961*4A*	G*VC80805C*B*	39,000	28,600	14.50	11.80	36,200	29,600	40,500	9.00	25000	1390	6497999
	CAPT4961*4A*+EEP		41,000	30,200	14.00	12.00	38,000	31,200	41,000	8.50	27400	1350	5520862
	CAPT4961*4A*+MBR2000**-1		40,000	29,400	14.00	12.00	37,200	30,400	41,000	9.00	25000	1380	5520892
	CAPT4961*4A*+MBVC2000**-1A*		40,000	29,400	15.00	13.00	37,200	30,400	40,000	9.00	25000	1315	5527444
	CHPF4860D6D*	A*VC950905DXB*	40,000	29,400	15.00	12.50	37,200	30,400	41,000	9.00	25000	1200	5937651
	CHPF4860D6D*	A*VC951155DXB*	40,000	29,400	15.00	12.50	37,200	30,400	41,000	9.00	25000	1200	5937652
	CHPF4860D6D*	A*VM961005DXB*	40,000	29,400	15.00	12.50	37,200	30,400	41,000	9.00	25000	1200	5937653
	CHPF4860D6D*	A*VM961155DXB*	40,000	29,400	15.00	12.50	37,200	30,400	41,000	9.00	25000	1200	5937654
CHPF4860D6D*	G*VC950905DXB*	40,000	29,400	15.00	12.50	37,200	30,400	41,000	9.00	25000	1200	5937655	
CHPF4860D6D*	G*VC951155DXB*	40,000	29,400	15.00	12.50	37,200	30,400	41,000	9.00	25000	1200	5937656	
CHPF4860D6D*	G*VM961005DXB*	40,000	29,400	15.00	12.50	37,200	30,400	41,000	9.00	25000	1200	5937657	

See Notes on Page 35.

OUTDOOR UNIT	INDOOR UNITS		COOLING CAPACITY (BTU/H)				TVA RATINGS ³		HEATING CAPACITY			CFM	AHRI #
	COILS/AIR HANDLERS	FURNACES	TOTAL	SENS.	SEER ¹	EER ²	TOTAL	SENS.	HI	HSPF ⁴	LOW		
SSZ14 0421A* (cont.)	CHPF4860D6D*	G*VM961155DXB*	40,000	29,400	15.00	12.50	37,200	30,400	41,000	9.00	25000	1200	5937658
	CHPF4860D6D*+EEP		41,000	30,200	14.00	12.00	38,000	31,200	41,000	9.00	27400	1250	3300384
	CHPF4860D6D*+EEP+TXV		40,000	29,400	14.00	12.00	37,200	30,400	41,000	9.00	27400	1300	3300385
	CHPF4860D6D*+MBR2000**-1+TXV		40,000	29,400	14.00	12.00	37,200	30,400	41,000	9.00	27400	1250	6498000
	CHPF4860D6D*+MBVC2000**-1A*		40,000	29,400	15.00	12.00	37,200	30,400	41,000	9.00	25000	1350	3610039
	CHPF4860D6D*+MBVC2000**-1A*+TXV		40,000	29,400	15.00	12.50	37,200	30,400	41,000	9.00	25000	1350	3610056
	CHPF4860D6D*+TXV	A*VC950905DXB*	40,000	29,400	15.00	12.50	37,200	30,400	41,000	9.00	25000	1200	5937659
	CHPF4860D6D*+TXV	A*VC951155DXB*	40,000	29,400	15.00	12.50	37,200	30,400	41,000	9.00	25000	1250	5937660
	CHPF4860D6D*+TXV	A*VM961005DXB*	40,000	29,400	15.00	12.50	37,200	30,400	41,000	9.00	25000	1250	5937661
	CHPF4860D6D*+TXV	A*VM961155DXB*	40,000	29,400	15.00	12.50	37,200	30,400	41,000	9.00	25000	1250	5937662
	CHPF4860D6D*+TXV	G*VC950905DXB*	40,000	29,400	15.00	12.50	37,200	30,400	41,000	9.00	25000	1200	5937663
	CHPF4860D6D*+TXV	G*VC951155DXB*	40,000	29,400	15.00	12.50	37,200	30,400	41,000	9.00	25000	1200	5937664
	CHPF4860D6D*+TXV	G*VM961005DXB*	40,000	29,400	15.00	12.50	37,200	30,400	41,000	9.00	25000	1200	5937665
	CHPF4860D6D*+TXV	G*VM961155DXB*	40,000	29,400	15.00	12.50	37,200	30,400	41,000	9.00	25000	1200	5937666
	CSCF4860N6D*+TXV	A*VC950905DXB*	40,000	29,400	15.00	12.50	37,200	30,400	40,000	9.00	25000	1450	6498001
	CSCF4860N6D*+TXV	A*VC951155DXB*	40,000	29,400	15.00	12.50	37,200	30,400	40,000	9.00	25000	1425	6498002
	DV48PTCC14A*		39,000	28,600	14.00	12.00	36,200	29,600	40,000	9.00	23000	1400	7079307
SSZ14 0481A*	ARPT48D14A*		45,000	33,200	14.00	11.50	41,500	33,800	45,500	8.40	27000	1460	5358292
	ARPT60D14A*		45,000	33,200	14.00	11.50	41,500	33,800	45,500	8.40	27000	1460	5458811
	ARUF48D14A*+TXV		44,500	32,800	13.50	11.50	41,000	33,400	45,000	8.00	27000	1480	5497286
	ASPT48C14A*		44,000	32,400	14.00	12.00	40,500	33,000	45,000	8.50	26000	1475	7040855
	ASPT48D14A*		46,500	34,200	15.00	12.50	43,000	34,800	45,500	9.00	26000	1400	5796521
	ASPT60D14A*		46,500	34,200	15.00	12.50	43,000	34,800	45,500	9.00	26000	1400	5722682
	ASUF59D14A*		46,500	34,200	14.50	12.00	43,000	34,800	45,500	8.20	26000	1600	5722680
	ASUF59D14A*+TXV		46,500	34,200	15.00	12.50	43,000	34,800	45,500	8.50	26000	1600	5722681
	AVPTC48C14A*		44,000	32,400	14.00	12.00	40,500	33,000	45,000	8.50	26000	1445	7040856
	CA*F4961*6D*	G*VC91155DXA*	46,000	33,800	14.50	12.00	42,500	34,600	47,000	8.50	30000	1500	4579617
	CA*F4961*6D*	A*VC950905CXB*	46,000	33,800	14.50	12.00	42,500	34,600	47,000	8.50	30000	1500	5937667
	CA*F4961*6D*	A*VC950905DXB*	46,000	33,800	14.50	12.00	42,500	34,600	47,000	8.50	30000	1500	5937668
	CA*F4961*6D*	A*VC950915DXB*	46,000	33,800	14.50	12.00	42,500	34,600	47,000	8.50	30000	1500	5937669
	CA*F4961*6D*	A*VC951155DXB*	46,000	33,800	14.50	12.00	42,500	34,600	47,000	8.50	30000	1500	5937670
	CA*F4961*6D*	A*VM960805CXB*	46,000	33,800	14.50	12.00	42,500	34,600	47,000	8.50	30000	1500	5937671
	CA*F4961*6D*	A*VM960805DXB*	46,000	33,800	14.50	12.00	42,500	34,600	47,000	8.50	30000	1500	5937672
	CA*F4961*6D*	A*VM961005DXB*	46,000	33,800	14.50	12.00	42,500	34,600	47,000	8.50	30000	1500	5937673
	CA*F4961*6D*	A*VM961155DXB*	46,000	33,800	14.50	12.00	42,500	34,600	47,000	8.50	30000	1500	5937674
	CA*F4961*6D*	G*VC950905CXB*	46,000	33,800	14.50	12.00	42,500	34,600	47,000	8.50	30000	1500	5937675
	CA*F4961*6D*	G*VC950905DXB*	46,000	33,800	14.50	12.00	42,500	34,600	47,000	8.50	30000	1500	5937676
	CA*F4961*6D*	G*VC950915DXB*	46,000	33,800	14.50	12.00	42,500	34,600	47,000	8.50	30000	1500	5937677
	CA*F4961*6D*	G*VC951155DXB*	46,000	33,800	14.50	12.00	42,500	34,600	47,000	8.50	30000	1500	5937678
	CA*F4961*6D*	G*VM960805CXB*	46,000	33,800	14.50	12.00	42,500	34,600	47,000	8.50	30000	1500	5937679
	CA*F4961*6D*	G*VM960805DXB*	46,000	33,800	14.50	12.00	42,500	34,600	47,000	8.50	30000	1500	5937680
	CA*F4961*6D*	G*VM961005DXB*	46,000	33,800	14.50	12.00	42,500	34,600	47,000	8.50	30000	1500	5937681
	CA*F4961*6D*	G*VM961155DXB*	46,000	33,800	14.50	12.00	42,500	34,600	47,000	8.50	30000	1500	5937682
	CA*F4961*6D*+EEP		46,000	33,800	14.00	12.00	42,500	34,600	47,000	8.75	30000	1550	4431862
	CA*F4961*6D*+EEP+TXV		46,000	33,800	14.00	12.00	42,500	34,600	47,000	8.75	30000	1550	4431863
	CA*F4961*6D*+MBR2000**-1		46,000	33,800	14.00	12.00	42,500	34,600	47,000	8.50	30000	1550	4431998
	CA*F4961*6D*+MBR2000**-1+TXV		46,000	33,800	14.00	12.00	42,500	34,600	47,000	8.50	30000	1550	4514556
	CA*F4961*6D*+MBVC2000**-1A*		46,000	33,800	15.00	12.50	42,500	34,600	46,000	9.00	30000	1550	4431999
	CA*F4961*6D*+MBVC2000**-1A*+TXV		46,000	33,800	15.00	12.50	42,500	34,600	46,000	9.00	30000	1550	4432000
	CA*F4961*6D*+TXV	G*VC91155DXA*	46,000	33,800	14.50	12.00	42,500	34,600	47,000	8.50	30000	1500	4579619
CA*F4961*6D*+TXV	A*VC950905CXB*	46,000	33,800	14.50	12.00	42,500	34,600	47,000	8.50	30000	1500	5937683	

See Notes on Page 35.

OUTDOOR UNIT	INDOOR UNITS		COOLING CAPACITY (BTU/H)				TVA RATINGS ³		HEATING CAPACITY			CFM	AHRI #
	COILS/AIR HANDLERS	FURNACES	TOTAL	SENS.	SEER ¹	EER ²	TOTAL	SENS.	HI	HSPF ⁴	LOW		
SSZ14 0481A* (cont.)	CA*F4961*6D*+TXV	A*VC950905DXB*	46,000	33,800	14.50	12.00	42,500	34,600	47,000	8.50	30000	1500	5937684
	CA*F4961*6D*+TXV	A*VC950915DXB*	46,000	33,800	14.50	12.00	42,500	34,600	47,000	8.50	30000	1500	5937685
	CA*F4961*6D*+TXV	A*VC951155DXB*	46,000	33,800	14.50	12.00	42,500	34,600	47,000	8.50	30000	1500	5937686
	CA*F4961*6D*+TXV	A*VM960805CXB*	46,000	33,800	14.50	12.00	42,500	34,600	47,000	8.50	30000	1500	5937687
	CA*F4961*6D*+TXV	A*VM960805DXB*	46,000	33,800	14.50	12.00	42,500	34,600	47,000	8.50	30000	1500	5937688
	CA*F4961*6D*+TXV	A*VM961005DXB*	46,000	33,800	14.50	12.00	42,500	34,600	47,000	8.50	30000	1500	5937689
	CA*F4961*6D*+TXV	A*VM961155DXB*	46,000	33,800	14.50	12.00	42,500	34,600	47,000	8.50	30000	1500	5937690
	CA*F4961*6D*+TXV	G*VC950905CXB*	46,000	33,800	14.50	12.00	42,500	34,600	47,000	8.50	30000	1500	5937691
	CA*F4961*6D*+TXV	G*VC950905DXB*	46,000	33,800	14.50	12.00	42,500	34,600	47,000	8.50	30000	1500	5937692
	CA*F4961*6D*+TXV	G*VC950915DXB*	46,000	33,800	14.50	12.00	42,500	34,600	47,000	8.50	30000	1500	5937693
	CA*F4961*6D*+TXV	G*VC951155DXB*	46,000	33,800	14.50	12.00	42,500	34,600	47,000	8.50	30000	1500	5937694
	CA*F4961*6D*+TXV	G*VM960805CXB*	46,000	33,800	14.50	12.00	42,500	34,600	47,000	8.50	30000	1500	5937695
	CA*F4961*6D*+TXV	G*VM960805DXB*	46,000	33,800	14.50	12.00	42,500	34,600	47,000	8.50	30000	1500	5937696
	CA*F4961*6D*+TXV	G*VM961005DXB*	46,000	33,800	14.50	12.00	42,500	34,600	47,000	8.50	30000	1500	5937697
	CA*F4961*6D*+TXV	G*VM961155DXB*	46,000	33,800	14.50	12.00	42,500	34,600	47,000	8.50	30000	1500	5937698
	CA*F4961*6D*+TXV	A*VC80805C*B*	46,000	33,800	14.50	12.00	42,500	34,600	47,000	8.50	30000	1510	6498003
	CA*F4961*6D*+TXV	A*VC81005C*B*	46,000	33,800	14.50	12.00	42,500	34,600	47,000	8.50	30000	1520	6498004
	CA*F4961*6D*+TXV	ADVC80805C*B*	46,000	33,800	14.50	12.00	42,500	34,600	47,000	8.50	30000	1500	6498005
	CA*F4961*6D*+TXV	ADVC81005C*B*	46,000	33,800	14.50	12.00	42,500	34,600	47,000	8.50	30000	1550	6498006
	CA*F4961*6D*+TXV	G*VC80805C*B*	46,000	33,800	14.50	12.00	42,500	34,600	47,000	8.50	30000	1510	6498007
	CA*F4961*6D*+TXV	G*VC81005C*B*	46,000	33,800	14.50	12.00	42,500	34,600	47,000	8.50	30000	1520	6498008
	CAPT4961*4A*	G*VC91155DXA*	46,000	33,800	14.50	12.00	42,500	34,600	46,000	8.50	30000	1395	5520841
	CAPT4961*4A*	A*VC950905CXB*	46,000	33,800	14.50	12.00	42,500	34,600	46,500	8.50	30000	1460	5937699
	CAPT4961*4A*	A*VC950905DXB*	46,000	33,800	14.50	12.00	42,500	34,600	46,500	8.50	30000	1460	5937700
	CAPT4961*4A*	A*VC950915DXB*	46,000	33,800	14.50	12.00	42,500	34,600	46,000	8.50	30000	1425	5937701
	CAPT4961*4A*	A*VC951155DXB*	46,000	33,800	14.50	12.00	42,500	34,600	46,500	8.50	30000	1395	5937702
	CAPT4961*4A*	A*VM960805CXB*	46,000	33,800	14.50	12.00	42,500	34,600	46,500	8.50	30000	1465	5937703
	CAPT4961*4A*	A*VM960805DXB*	46,000	33,800	14.50	12.00	42,500	34,600	46,000	8.50	30000	1425	5937704
	CAPT4961*4A*	A*VM961005DXB*	46,000	33,800	14.50	12.00	42,500	34,600	46,000	8.50	30000	1395	5937705
	CAPT4961*4A*	A*VM961155DXB*	46,000	33,800	14.50	12.00	42,500	34,600	46,000	8.50	30000	1395	5937706
	CAPT4961*4A*	G*VC950905CXB*	46,000	33,800	14.50	12.00	42,500	34,600	46,500	8.50	30000	1460	5937707
	CAPT4961*4A*	G*VC950905DXB*	46,000	33,800	14.50	12.00	42,500	34,600	46,500	8.50	30000	1460	5937708
	CAPT4961*4A*	G*VC950915DXB*	46,000	33,800	14.50	12.00	42,500	34,600	46,000	8.50	30000	1425	5937709
	CAPT4961*4A*	G*VC951155DXB*	46,000	33,800	14.50	12.00	42,500	34,600	46,500	8.50	30000	1395	5937710
	CAPT4961*4A*	G*VM960805CXB*	46,000	33,800	14.50	12.00	42,500	34,600	46,500	8.50	30000	1465	5937711
	CAPT4961*4A*	G*VM960805DXB*	46,000	33,800	14.50	12.00	42,500	34,600	46,000	8.50	30000	1425	5937712
	CAPT4961*4A*	G*VM961005DXB*	46,000	33,800	14.50	12.00	42,500	34,600	46,000	8.50	30000	1395	5937713
	CAPT4961*4A*	G*VM961155DXB*	46,000	33,800	14.50	12.00	42,500	34,600	46,000	8.50	30000	1395	5937714
	CAPT4961*4A*	A*VC80805C*B*	46,000	33,800	14.50	12.00	42,500	34,600	46,500	8.50	30000	1495	6498009
	CAPT4961*4A*	A*VC81005C*B*	46,000	33,800	14.50	12.00	42,500	34,600	46,500	8.50	30000	1530	6498010
	CAPT4961*4A*	ADVC80805C*B*	46,000	33,800	14.50	12.00	42,500	34,600	46,500	8.50	30000	1500	6498011
	CAPT4961*4A*	ADVC81005C*B*	46,000	33,800	14.50	12.00	42,500	34,600	46,500	8.50	30000	1545	6498012
	CAPT4961*4A*	G*VC80805C*B*	46,000	33,800	14.50	12.00	42,500	34,600	46,500	8.50	30000	1495	6498013
	CAPT4961*4A*	G*VC81005C*B*	46,000	33,800	14.50	12.00	42,500	34,600	46,500	8.50	30000	1530	6498014
	CAPT4961*4A*+EEP		46,000	33,800	14.00	12.00	42,500	34,600	47,000	8.75	30000	1460	5520863
CAPT4961*4A*+MBR2000**-1		46,000	33,800	14.00	12.00	42,500	34,600	47,000	8.50	30000	1560	5520894	
CAPT4961*4A*+MBVC2000**-1A*		46,000	33,800	15.00	13.00	42,500	34,600	46,000	9.00	30000	1450	5527445	
CHPF4860D6D*	G*VC91155DXA*	46,000	33,800	14.50	12.00	42,500	34,600	47,000	8.50	30000	1500	4579620	
CHPF4860D6D*	A*VC951155DXB*	46,000	33,800	14.50	12.00	42,500	34,600	47,000	8.50	30000	1500	5937715	
CHPF4860D6D*	A*VM961005DXB*	46,000	33,800	14.50	12.00	42,500	34,600	47,000	8.50	30000	1500	5937716	
CHPF4860D6D*	A*VM961155DXB*	46,000	33,800	14.50	12.00	42,500	34,600	47,000	8.50	30000	1500	5937717	

See Notes on Page 35.

OUTDOOR UNIT	INDOOR UNITS		COOLING CAPACITY (BTU/H)				TVA RATINGS ³		HEATING CAPACITY			CFM	AHRI #
	COILS/AIR HANDLERS	FURNACES	TOTAL	SENS.	SEER ¹	EER ²	TOTAL	SENS.	Hi	HSPF ⁴	Low		
SSZ14 0481A* (cont.)	CHPF4860D6D*	G*VC951155DXB*	46,000	33,800	14.50	12.00	42,500	34,600	47,000	8.50	30000	1500	5937718
	CHPF4860D6D*	G*VM961005DXB*	46,000	33,800	14.50	12.00	42,500	34,600	47,000	8.50	30000	1500	5937719
	CHPF4860D6D*	G*VM961155DXB*	46,000	33,800	14.50	12.00	42,500	34,600	47,000	8.50	30000	1500	5937720
	CHPF4860D6D*+EEP		47,000	34,600	14.00	12.00	43,500	35,200	46,000	9.00	30000	1550	3300391
	CHPF4860D6D*+EEP+TXV		47,000	34,600	14.00	12.00	43,500	35,200	46,000	9.00	30000	1550	3300392
	CHPF4860D6D*+MBR2000**-1		46,000	33,800	14.50	12.00	42,500	34,600	47,000	8.50	30000	1550	3300393
	CHPF4860D6D*+MBR2000**-1+TXV		46,000	33,800	14.50	12.00	42,500	34,600	47,000	8.50	30000	1550	3300394
	CHPF4860D6D*+MBR2000**-1A*		46,000	33,800	14.50	12.00	42,500	34,600	47,000	8.50	30000	1550	3300395
	CHPF4860D6D*+MBVC2000**-1A*+TXV		46,000	33,800	15.00	12.50	42,500	34,600	46,000	8.50	30000	1550	3930741
	CHPF4860D6D*+TXV	G*VC91155DXA*	46,000	33,800	14.50	12.00	42,500	34,600	47,000	8.50	30000	1500	4579621
	CHPF4860D6D*+TXV	A*VC951155DXB*	46,000	33,800	14.50	12.00	42,500	34,600	47,000	8.50	30000	1500	5937721
	CHPF4860D6D*+TXV	A*VM961005DXB*	46,000	33,800	14.50	12.00	42,500	34,600	47,000	8.50	30000	1500	5937722
	CHPF4860D6D*+TXV	A*VM961155DXB*	46,000	33,800	14.50	12.00	42,500	34,600	47,000	8.50	30000	1500	5937723
	CHPF4860D6D*+TXV	G*VC951155DXB*	46,000	33,800	14.50	12.00	42,500	34,600	47,000	8.50	30000	1500	5937724
	CHPF4860D6D*+TXV	G*VM961005DXB*	46,000	33,800	14.50	12.00	42,500	34,600	47,000	8.50	30000	1500	5937725
	CHPF4860D6D*+TXV	G*VM961155DXB*	46,000	33,800	14.50	12.00	42,500	34,600	47,000	8.50	30000	1500	5937726
	CSCF4860N6D*+TXV	G*VC950905CXB*	46,000	33,800	14.50	12.00	42,500	34,600	47,000	8.50	30000	1575	5937727
	CSCF4860N6D*+TXV	G*VC950905DXB*	46,000	33,800	14.50	12.00	42,500	34,600	47,000	8.50	30000	1575	5937728
	CSCF4860N6D*+TXV	G*VC951155DXB*	46,000	33,800	14.50	12.00	42,500	34,600	47,000	8.50	30000	1550	5937729
	CSCF4860N6D*+TXV	A*VC950905CXB*	46,000	33,800	14.50	12.00	42,500	34,600	47,000	8.50	30000	1575	6498015
CSCF4860N6D*+TXV	A*VC950905DXB*	46,000	33,800	14.50	12.00	42,500	34,600	47,000	8.50	30000	1575	6498016	
CSCF4860N6D*+TXV	A*VC951155DXB*	46,000	33,800	14.50	12.00	42,500	34,600	47,000	8.50	30000	1550	6498017	
DV48PTCC14A*		44,000	32,400	14.00	12.00	40,500	33,000	45,000	8.50	26000	1445	7040857	
SSZ14 0601A*	ARPT60D14A*		55,500	39,500	13.00	11.50	51,500	40,500	57,500	8.50	36600	1780	5358289
	ASPT60D14A*		57,000	40,500	14.00	12.00	53,000	41,500	57,000	8.20	34800	1745	5722684
	ASUF59D14A*		57,000	40,500	14.00	12.00	53,000	41,500	60,500	8.20	36000	1580	5600187
	ASUF59D14A*+TXV		57,000	40,500	14.00	12.00	53,000	41,500	60,500	8.20	36200	1600	5722683
	AVPTC60D14A*		57,000	40,500	14.00	12.00	53,000	41,500	57,000	8.20	34800	1630	5924414
	CA*F4961*6D*	A*VC950905CXB*	56,500	40,000	14.00	12.00	52,500	41,500	57,000	8.50	33000	1750	5937730
	CA*F4961*6D*	A*VC950905DXB*	56,500	40,000	14.00	12.00	52,500	41,500	57,000	8.50	33000	1750	5937731
	CA*F4961*6D*	A*VC950915DXB*	56,500	40,000	14.00	12.00	52,500	41,500	57,000	8.50	33000	1750	5937732
	CA*F4961*6D*	A*VC951155DXB*	56,500	40,000	14.00	12.00	52,500	41,500	57,000	8.50	33000	1800	5937733
	CA*F4961*6D*	A*VM960805CXB*	56,500	40,000	14.00	12.00	52,500	41,500	57,000	8.50	33000	1750	5937734
	CA*F4961*6D*	A*VM960805DXB*	56,500	40,000	14.00	12.00	52,500	41,500	57,000	8.50	33000	1750	5937735
	CA*F4961*6D*	A*VM961005DXB*	56,500	40,000	14.00	12.00	52,500	41,500	57,000	8.50	33000	1800	5937736
	CA*F4961*6D*	A*VM961155DXB*	56,500	40,000	14.00	12.00	52,500	41,500	57,000	8.50	33000	1800	5937737
	CA*F4961*6D*	G*VC950905CXB*	56,500	40,000	14.00	12.00	52,500	41,500	57,000	8.50	33000	1750	5937738
	CA*F4961*6D*	G*VC950905DXB*	56,500	40,000	14.00	12.00	52,500	41,500	57,000	8.50	33000	1750	5937739
	CA*F4961*6D*	G*VC950915DXB*	56,500	40,000	14.00	12.00	52,500	41,500	57,000	8.50	33000	1750	5937740
	CA*F4961*6D*	G*VC951155DXB*	56,500	40,000	14.00	12.00	52,500	41,500	57,000	8.50	33000	1800	5937741
	CA*F4961*6D*	G*VM960805CXB*	56,500	40,000	14.00	12.00	52,500	41,500	57,000	8.50	33000	1750	5937742
	CA*F4961*6D*	G*VM960805DXB*	56,500	40,000	14.00	12.00	52,500	41,500	57,000	8.50	33000	1750	5937743
	CA*F4961*6D*	G*VM961005DXB*	56,500	40,000	14.00	12.00	52,500	41,500	57,000	8.50	33000	1800	5937744
CA*F4961*6D*	G*VM961155DXB*	56,500	40,000	14.00	12.00	52,500	41,500	57,000	8.50	33000	1800	5937745	
CA*F4961*6D*+EEP		57,000	40,500	14.00	12.00	53,000	41,500	58,000	8.75	39500	1800	4431864	
CA*F4961*6D*+EEP+TXV		57,000	40,500	14.00	12.00	53,000	41,500	58,000	8.75	39000	1800	4431865	
CA*F4961*6D*+MBR2000**-1		56,500	40,000	14.00	12.00	52,500	41,500	57,000	8.50	33000	1800	4432009	
CA*F4961*6D*+MBR2000**-1+TXV		56,500	40,000	14.00	12.00	52,500	41,500	57,000	8.50	33000	1800	4514557	

See Notes on Page 35.

OUTDOOR UNIT	INDOOR UNITS		COOLING CAPACITY (BTU/H)				TVA RATINGS ³		HEATING CAPACITY			CFM	AHRI #
	COILS/AIR HANDLERS	FURNACES	TOTAL	SENS.	SEER ¹	EER ²	TOTAL	SENS.	Hi	HSPF ⁴	Low		
SSZ14 0601A* (cont.)	CA*F4961*6D*+MBVC2000**-1A*		56,500	40,000	15.00	12.50	52,500	41,500	57,000	9.00	33000	1800	4432010
	CA*F4961*6D*+MBVC2000**-1A*+TXV		56,500	40,000	15.00	12.50	52,500	41,500	57,000	9.00	33000	1800	4432011
	CA*F4961*6D*+TXV	A*VC950905CXB*	56,500	40,000	14.00	11.50	52,500	41,500	57,000	8.50	33000	1750	5937746
	CA*F4961*6D*+TXV	A*VC950905DXB*	56,500	40,000	14.00	11.50	52,500	41,500	57,000	8.50	33000	1750	5937747
	CA*F4961*6D*+TXV	A*VC950915DXB*	56,500	40,000	14.00	11.50	52,500	41,500	57,000	8.50	33000	1750	5937748
	CA*F4961*6D*+TXV	A*VC951155DXB*	56,500	40,000	14.00	11.50	52,500	41,500	57,000	8.50	33000	1800	5937749
	CA*F4961*6D*+TXV	A*VM960805CXB*	56,500	40,000	14.00	11.50	52,500	41,500	57,000	8.50	33000	1750	5937750
	CA*F4961*6D*+TXV	A*VM960805DXB*	56,500	40,000	14.00	11.50	52,500	41,500	57,000	8.50	33000	1750	5937751
	CA*F4961*6D*+TXV	A*VM961005DXB*	56,500	40,000	14.00	11.50	52,500	41,500	57,000	8.50	33000	1750	5937752
	CA*F4961*6D*+TXV	A*VM961155DXB*	56,500	40,000	14.00	11.50	52,500	41,500	57,000	8.50	33000	1750	5937753
	CA*F4961*6D*+TXV	G*VC950905CXB*	56,500	40,000	14.00	12.00	52,500	41,500	57,000	8.50	33000	1750	5937754
	CA*F4961*6D*+TXV	G*VC950905DXB*	56,500	40,000	14.00	12.00	52,500	41,500	57,000	8.50	33000	1750	5937755
	CA*F4961*6D*+TXV	G*VC950915DXB*	56,500	40,000	14.00	11.50	52,500	41,500	57,000	8.50	33000	1750	5937756
	CA*F4961*6D*+TXV	G*VC951155DXB*	56,500	40,000	14.00	12.00	52,500	41,500	57,000	8.50	33000	1800	5937757
	CA*F4961*6D*+TXV	G*VM960805CXB*	56,500	40,000	14.00	12.00	52,500	41,500	57,000	8.50	33000	1750	5937758
	CA*F4961*6D*+TXV	G*VM960805DXB*	56,500	40,000	14.00	12.00	52,500	41,500	57,000	8.50	33000	1750	5937759
	CA*F4961*6D*+TXV	G*VM961005DXB*	56,500	40,000	14.00	12.00	52,500	41,500	57,000	8.50	33000	1800	5937760
	CA*F4961*6D*+TXV	G*VM961155DXB*	56,500	40,000	14.00	12.00	52,500	41,500	57,000	8.50	33000	1800	5937761
	CAPT4961*4A*	A*VC950905CXB*	56,500	40,000	14.00	11.50	52,500	41,500	57,000	8.50	33000	1785	5937762
	CAPT4961*4A*	A*VC950905DXB*	56,500	40,000	14.00	11.50	52,500	41,500	57,000	8.50	33000	1695	5937763
	CAPT4961*4A*	A*VC950915DXB*	56,500	40,000	14.00	11.50	52,500	41,500	57,000	8.50	33000	1680	5937764
	CAPT4961*4A*	A*VC951155DXB*	56,500	40,000	14.00	11.50	52,500	41,500	57,000	8.50	33000	1780	5937765
	CAPT4961*4A*	A*VM960805CXB*	56,500	40,000	14.00	11.50	52,500	41,500	57,000	8.50	33000	1800	5937766
	CAPT4961*4A*	A*VM960805DXB*	56,500	40,000	14.00	11.50	52,500	41,500	57,000	8.50	33000	1660	5937767
	CAPT4961*4A*	A*VM961005DXB*	56,500	40,000	13.50	11.50	52,500	41,500	57,000	8.50	33000	1780	5937768
	CAPT4961*4A*	A*VM961155DXB*	56,500	40,000	13.50	11.50	52,500	41,500	57,000	8.50	33000	1780	5937769
	CAPT4961*4A*	G*VC950905CXB*	56,500	40,000	14.00	11.50	52,500	41,500	57,000	8.50	33000	1785	5937770
	CAPT4961*4A*	G*VC950905DXB*	56,500	40,000	14.00	11.50	52,500	41,500	57,000	8.50	33000	1695	5937771
	CAPT4961*4A*	G*VC950915DXB*	56,500	40,000	14.00	11.50	52,500	41,500	57,000	8.50	33000	1680	5937772
	CAPT4961*4A*	G*VC951155DXB*	56,500	40,000	14.00	11.50	52,500	41,500	57,000	8.50	33000	1780	5937773
	CAPT4961*4A*	G*VM960805CXB*	56,500	40,000	14.00	11.50	52,500	41,500	57,000	8.50	33000	1800	5937774
	CAPT4961*4A*	G*VM960805DXB*	56,500	40,000	14.00	12.00	52,500	41,500	57,000	8.50	33000	1660	5937775
	CAPT4961*4A*	G*VM961005DXB*	56,500	40,000	13.50	11.50	52,500	41,500	57,000	8.50	33000	1780	5937776
	CAPT4961*4A*	G*VM961155DXB*	56,500	40,000	13.50	11.50	52,500	41,500	57,000	8.50	33000	1780	5937777
	CAPT4961*4A*+EEP		57,000	40,500	14.00	12.00	53,000	41,500	58,000	8.50	39000	1700	5520864
	CAPT4961*4A*+MBR2000**-1		56,500	40,000	14.00	12.00	52,500	41,500	57,000	8.50	33000	1650	5520896
	CAPT4961*4A*+MBVC2000**-1A*		56,500	40,000	14.50	12.50	52,500	41,500	57,000	9.00	33000	1790	5527446
	CHPF4860D6D*	A*VC950905CXB*	56,500	40,000	14.00	11.50	52,500	41,500	57,000	8.50	33000	1750	5937778
	CHPF4860D6D*	A*VC950905DXB*	56,500	40,000	14.00	11.50	52,500	41,500	57,000	8.50	33000	1750	5937779
	CHPF4860D6D*	A*VC951155DXB*	56,500	40,000	14.00	11.50	52,500	41,500	57,000	8.50	33000	1750	5937780
	CHPF4860D6D*	A*VM960805CXB*	56,500	40,000	14.00	11.50	52,500	41,500	57,000	8.50	33000	1750	5937781
	CHPF4860D6D*	A*VM960805DXB*	56,500	40,000	14.00	11.50	52,500	41,500	57,000	8.50	33000	1750	5937782
	CHPF4860D6D*	A*VM961005DXB*	56,500	40,000	14.00	11.50	52,500	41,500	57,000	8.50	33000	1750	5937783
	CHPF4860D6D*	A*VM961155DXB*	56,500	40,000	14.00	11.50	52,500	41,500	57,000	8.50	33000	1750	5937784
CHPF4860D6D*	G*VC950905CXB*	56,500	40,000	14.00	11.50	52,500	41,500	57,000	8.50	33000	1750	5937785	
CHPF4860D6D*	G*VC950905DXB*	56,500	40,000	14.00	11.50	52,500	41,500	57,000	8.50	33000	1750	5937786	
CHPF4860D6D*	G*VC951155DXB*	56,500	40,000	14.00	11.50	52,500	41,500	57,000	8.50	33000	1750	5937787	
CHPF4860D6D*	G*VM960805CXB*	56,500	40,000	14.00	11.50	52,500	41,500	57,000	8.50	33000	1750	5937788	

See Notes on Page 35.

OUTDOOR UNIT	INDOOR UNITS		COOLING CAPACITY (BTU/h)				TVA RATINGS ³		HEATING CAPACITY			CFM	AHRI #
	COILS/AIR HANDLERS	FURNACES	TOTAL	SENS.	SEER ¹	EER ²	TOTAL	SENS.	HI	HSPF ⁴	LOW		
SSZ14 0601A* (cont.)	CHPF4860D6D*	G*VM960805DXB*	56,500	40,000	14.00	11.50	52,500	41,500	57,000	8.50	33000	1750	5937789
	CHPF4860D6D*	G*VM961005DXB*	56,500	40,000	14.00	11.50	52,500	41,500	57,000	8.50	33000	1750	5937790
	CHPF4860D6D*	G*VM961155DXB*	56,500	40,000	14.00	11.50	52,500	41,500	57,000	8.50	33000	1750	5937791
	CHPF4860D6D*+EEP		57,000	40,500	14.00	12.00	53,000	41,500	58,000	8.75	39500	1800	3300399
	CHPF4860D6D*+EEP+TXV		57,000	40,500	14.00	12.00	53,000	41,500	58,000	8.75	39500	1800	3300400
	CHPF4860D6D*+MBR2000**-1		57,000	40,500	14.00	12.00	53,000	41,500	57,000	8.75	38000	1850	3300403
	CHPF4860D6D*+MBR2000**-1+TXV		57,000	40,500	14.00	12.00	53,000	41,500	57,000	8.75	38000	1850	3300404
	CHPF4860D6D*+MBR2000**-1A*		57,000	40,500	14.00	12.00	53,000	41,500	57,000	8.75	38000	1850	3300405
	CHPF4860D6D*+MBVC2000**-1A*		56,500	40,000	15.00	12.50	52,500	41,500	57,000	9.00	33000	1800	3610041
	CHPF4860D6D*+MBVC2000**-1A*+TXV		56,500	40,000	15.00	12.50	52,500	41,500	57,000	9.00	33000	1800	3610057
	CHPF4860D6D*+TXV	A*VC950905CXB*	56,500	40,000	14.00	11.50	52,500	41,500	57,000	8.50	33000	1750	5937792
	CHPF4860D6D*+TXV	A*VC950905DXB*	56,500	40,000	14.00	11.50	52,500	41,500	57,000	8.50	33000	1750	5937793
	CHPF4860D6D*+TXV	A*VC951155DXB*	56,500	40,000	14.00	11.50	52,500	41,500	57,000	8.50	33000	1750	5937794
	CHPF4860D6D*+TXV	A*VM960805CXB*	56,500	40,000	14.00	11.50	52,500	41,500	57,000	8.50	33000	1750	5937795
	CHPF4860D6D*+TXV	A*VM960805DXB*	56,500	40,000	14.00	11.50	52,500	41,500	57,000	8.50	33000	1750	5937796
	CHPF4860D6D*+TXV	A*VM961005DXB*	56,500	40,000	14.00	11.50	52,500	41,500	57,000	8.50	33000	1750	5937797
	CHPF4860D6D*+TXV	A*VM961155DXB*	56,500	40,000	14.00	11.50	52,500	41,500	57,000	8.50	33000	1750	5937798
	CHPF4860D6D*+TXV	G*VC950905CXB*	56,500	40,000	14.00	11.50	52,500	41,500	57,000	8.50	33000	1750	5937799
	CHPF4860D6D*+TXV	G*VC950905DXB*	56,500	40,000	14.00	11.50	52,500	41,500	57,000	8.50	33000	1750	5937800
	CHPF4860D6D*+TXV	G*VC951155DXB*	56,500	40,000	14.00	11.50	52,500	41,500	57,000	8.50	33000	1750	5937801
	CHPF4860D6D*+TXV	G*VM960805CXB*	56,500	40,000	14.00	11.50	52,500	41,500	57,000	8.50	33000	1750	5937802
	CHPF4860D6D*+TXV	G*VM960805DXB*	56,500	40,000	14.00	11.50	52,500	41,500	57,000	8.50	33000	1750	5937803
	CHPF4860D6D*+TXV	G*VM961005DXB*	56,500	40,000	14.00	11.50	52,500	41,500	57,000	8.50	33000	1750	5937804
	CHPF4860D6D*+TXV	G*VM961155DXB*	56,500	40,000	14.00	11.50	52,500	41,500	57,000	8.50	33000	1750	5937805
	CSCF4860N6D*+TXV	G*VC951155DXB*	56,500	40,000	13.50	11.50	52,500	41,500	57,000	8.50	33000	1850	5937806
	CSCF4860N6D*+TXV	A*VC950905CXB*	56,500	40,000	13.50	11.50	52,500	41,500	57,000	8.50	33000	1675	6498018
CSCF4860N6D*+TXV	A*VC950905DXB*	56,500	40,000	13.50	11.50	52,500	41,500	57,000	8.50	33000	1675	6498019	
CSCF4860N6D*+TXV	A*VC951155DXB*	56,500	40,000	13.50	11.50	52,500	41,500	57,000	8.50	33000	1850	6498020	

¹ Seasonal Energy Efficiency Ratio; Certified per ARI 210/240 @ 80°F/ 67°F/ 95°F

³ TVA Rating: BTU/h @ 75°F/ 63°F - 95°F

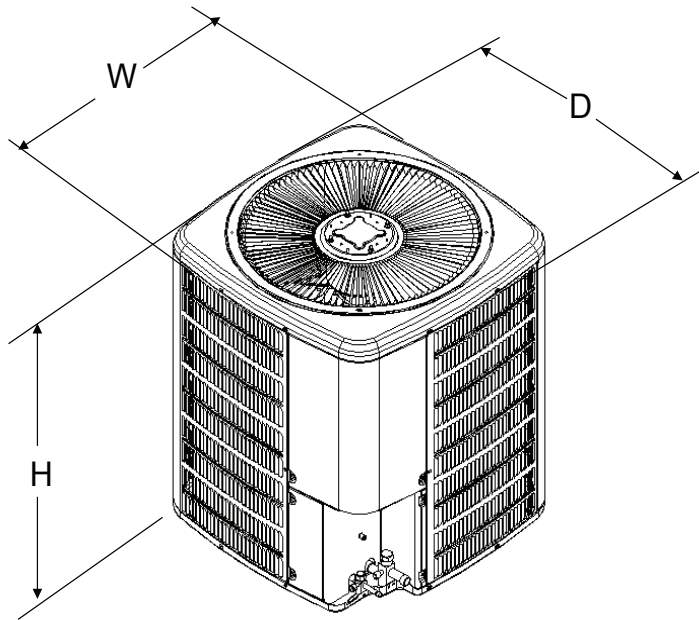
² Energy Efficiency Ratio @ 80°F/ 67°F/ 95°F

⁴ HSPF = Heating Seasonal Performance Factor

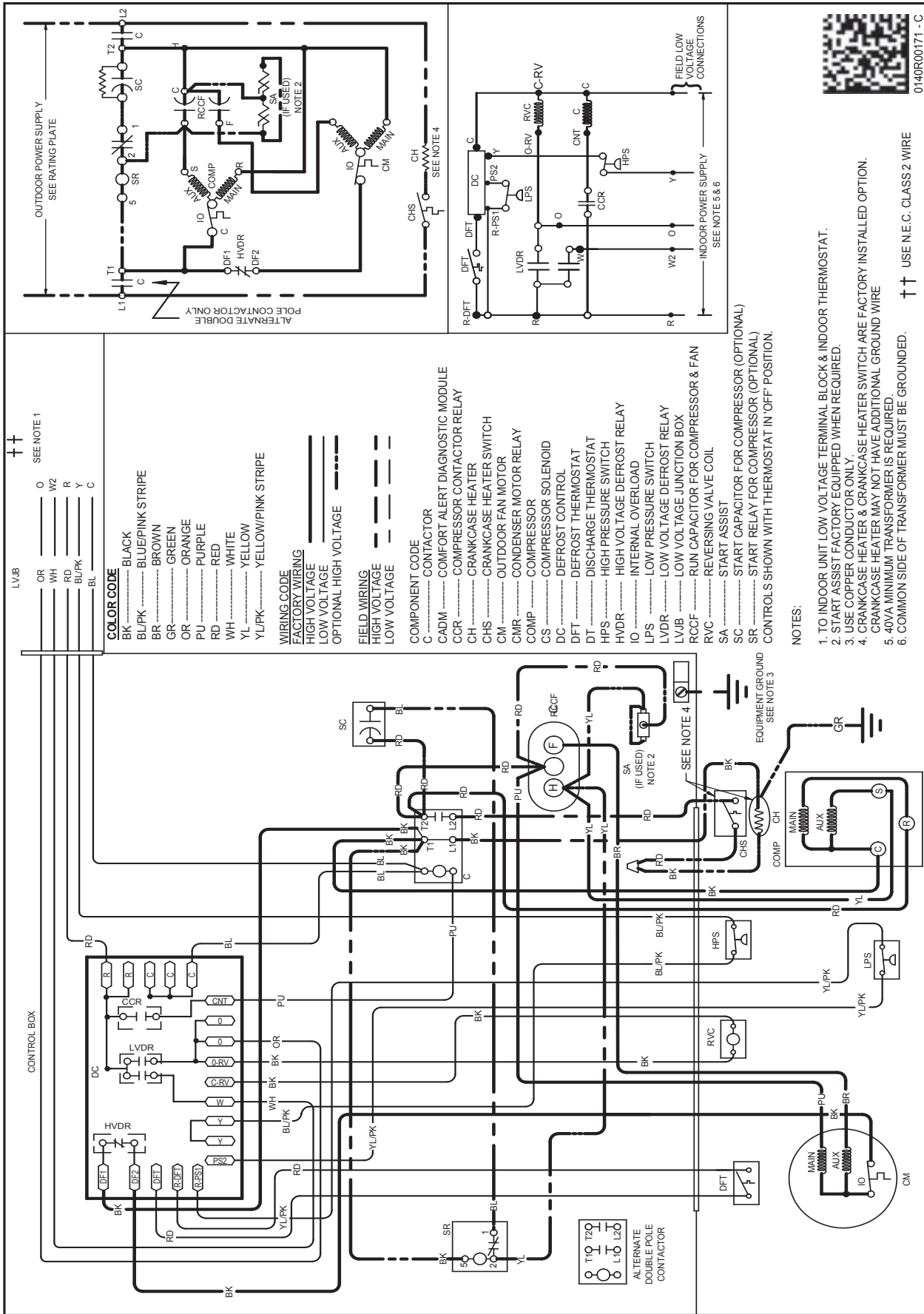
NOTES

- Always check the S&R plate for electrical data on the unit being installed.
- When matching outdoor unit to indoor unit, use the piston supplied with the outdoor unit or that specified on the piston kit chart supplied with the indoor unit.
- EEP - Order from Service Dept. Part No. B13707-38 or new Solid State Board B13707-35S. Part No. B13707-38 is not interchangeable with B13707-35S. The Goodman Gas Furnace contains the EEP cooling time delay

DIMENSIONS



MODEL	DIMENSIONS		
	W"	D"	H"
SSZ140181**	29	29	34¼
SSZ140241**	29	29	38¼
SSZ140301**	29	29	38¼
SSZ140361**	29	29	38¼
SSZ140381**	35½	35½	38¼
SSZ140421**	35½	35½	38¼
SSZ140481**	35½	35½	34¼
SSZ140601**	35½	35½	38¼



↑↑ SEE NOTE 1

OR	W2
WH	R
RD	Y
BL/PK	C
BL	

COLOR CODE

BK	BLACK
BL/PK	BLUE/PINK STRIPE
BR	BROWN
GR	GREEN
OR	ORANGE
PU	PURPLE
RD	RED
WH	WHITE
YL	YELLOW
YL/PK	YELLOW/PINK STRIPE

WIRING CODE

————	HIGH VOLTAGE
————	LOW VOLTAGE
-----	OPTIONAL HIGH VOLTAGE

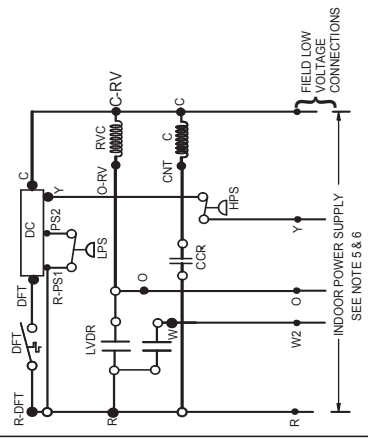
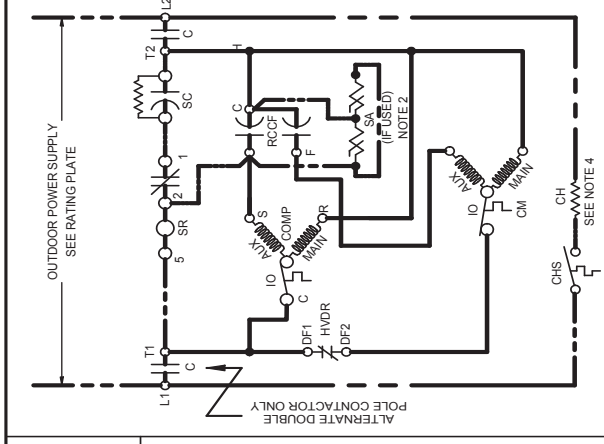
FIELD WIRING

————	HIGH VOLTAGE
————	LOW VOLTAGE

COMPONENT CODE

C	CONTACTOR
CADM	COMFORT ALERT DIAGNOSTIC MODULE
CCR	COMPRESSOR CONTACTOR RELAY
CH	CRANKCASE HEATER
CHS	CRANKCASE HEATER SWITCH
CM	OUTDOOR FAN MOTOR
CMR	CONDENSER MOTOR RELAY
COMP	COMPRESSOR
CS	COMPRESSOR SOLENOID
DC	DEFROST CONTROL
DFT	DEFROST THERMOSTAT
DT	DISCHARGE THERMOSTAT
HPS	HIGH PRESSURE SWITCH
HVDR	HIGH VOLTAGE DEFROST RELAY
IO	INTERNAL OVERLOAD
LPS	LOW PRESSURE SWITCH
LVDR	LOW VOLTAGE DEFROST RELAY
LVJB	LOW VOLTAGE JUNCTION BOX
RCCF	RUN CAPACITOR FOR COMPRESSOR & FAN
RVC	REVERSING VALVE COIL
SA	START ASSIST
SC	START CAPACITOR FOR COMPRESSOR (OPTIONAL)
SR	START RELAY FOR COMPRESSOR (OPTIONAL)

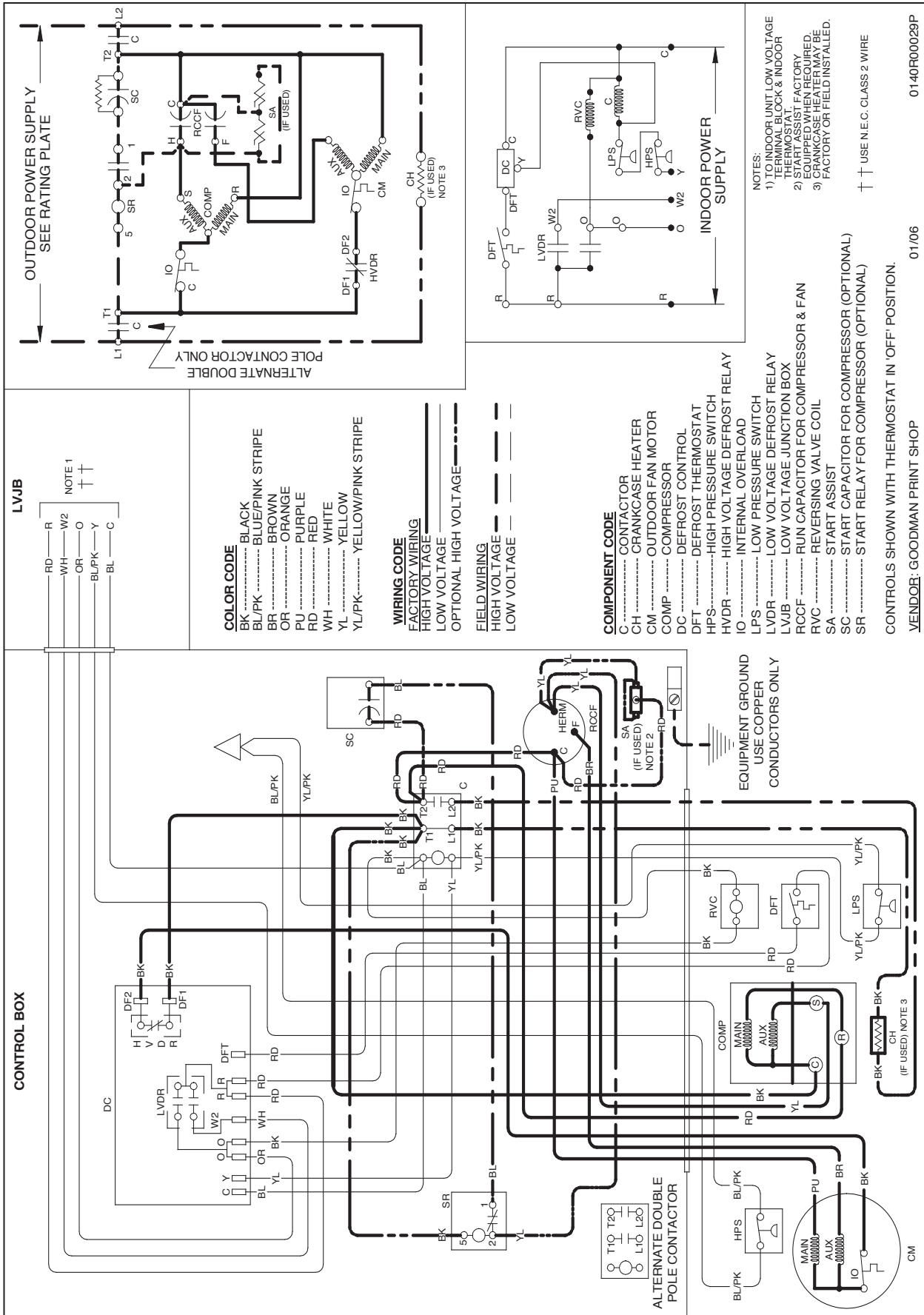
- NOTES:**
1. TO INDOOR UNIT LOW VOLTAGE TERMINAL BLOCK & INDOOR THERMOSTAT.
 2. START ASSIST FACTORY EQUIPPED WHEN REQUIRED.
 3. USE COPPER CONDUCTOR ONLY.
 4. CRANKCASE HEATER & CRANKCASE HEATER SWITCH ARE FACTORY INSTALLED OPTION.
 5. 40VA MINIMUM TRANSFORMER IS REQUIRED.
 6. COMMON SIDE OF TRANSFORMER MUST BE GROUNDED.



Wiring is subject to change. Always refer to the wiring diagram or the unit for the most up-to-date wiring.

WARNING

High Voltage: Disconnect all power before servicing or installing this unit. Multiple power sources may be present. Failure to do so may cause property damage, personal injury, or death.



ACCESSORIES

MODEL	DESCRIPTION	SSZ14 0181**	SSZ14 0241**	SSZ14 0301**	SSZ14 0361**	SSZ14 0381**	SSZ14 0421**	SSZ14 0481**	SSZ14 0601**
ABK-20	Anchor Bracket Kit *	X	X	X	X	X	X	X	X
AFE18-60A	All-fuel Kit	X	X	X	X	X	X	X	X
ASC-01	Anti-Short Cycle Kit	X	X	X	X	X	X	X	X
CSR-U-1	Hard-start Kit	X	X	X	X	X	X	X	X
FSK01A ¹	Freeze Protection Kit	X	X	X	X	X	X	X	X
LAKT01A	Low-Ambient Kit	X	X	X	X	X	X	X	X
OT/EHR18-60	Emergency Heat Relay kit	X	X	X	X	X	X	X	X
OT18-60A ²	Outdoor Thermostat w/ Lockout Stat	X	X	X	X	X	X	X	X
TX2N4 ³	TXV Kit	X							
TX2N4A ³	TXV Kit	X	X						
TX3N4 ³	TXV Kit			X	X	X			
TX5N4 ³	TXV Kit						X	X	X

* Contains 20 brackets; four brackets needed to anchor unit to pad

¹ Installed on indoor coil

² Required for heat pump applications where ambient temperatures fall below 0 °F with 50% or higher relative humidity.

³ Condensing units and heat pumps with reciprocating compressors require the use of start-assist components when used in conjunction with an indoor coil using a non-bleed thermal expansion valve refrigerant metering device. The TXV should always be sized based on the tonnage of the outdoor unit.

