

## MULTI-POSITION, MULTI-SPEED MODULAR BLOWER WITH PSC MOTOR



### Contents

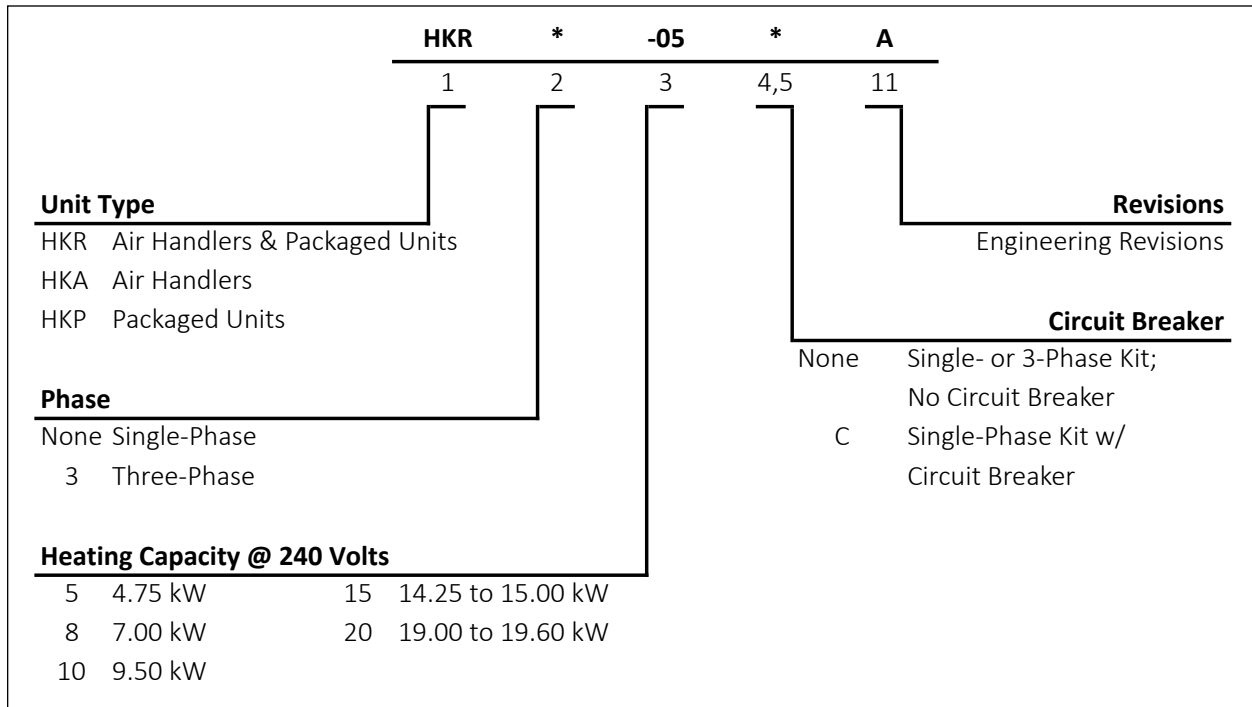
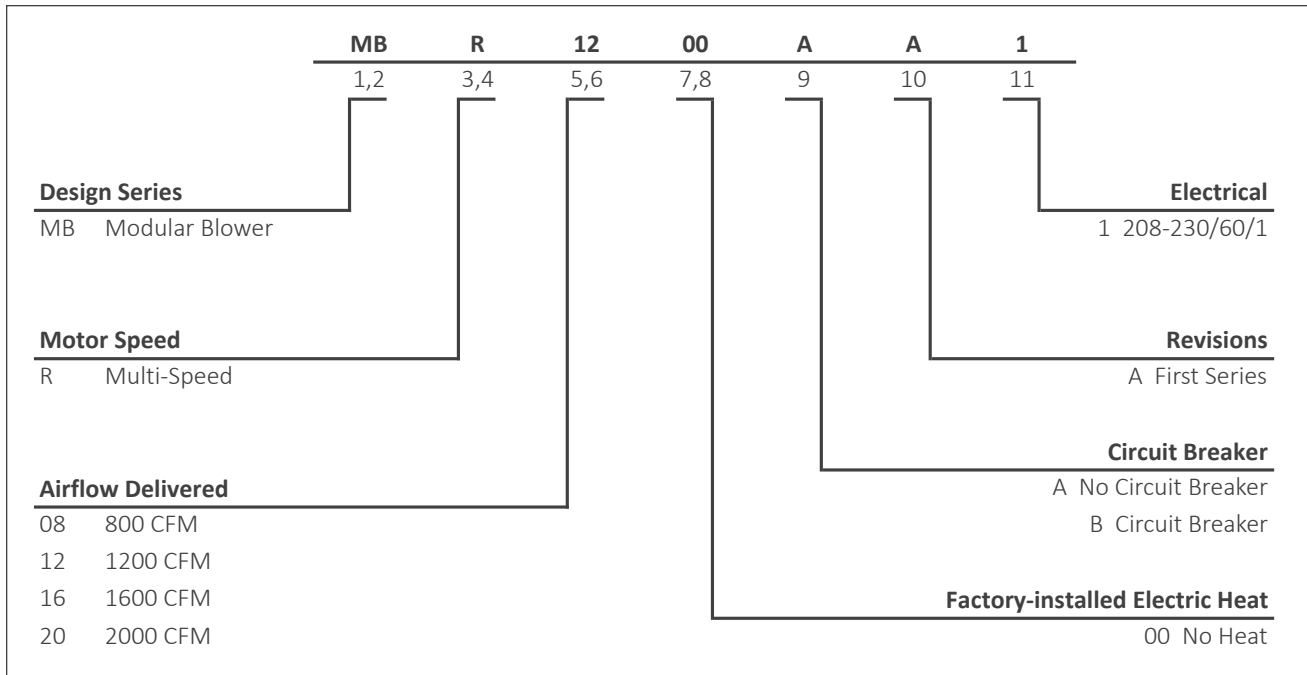
Air Handler Nomenclature.....	2
Heater Kit Nomenclature .....	2
Product Specifications.....	3
Dimensions .....	4
Airflow Data .....	5
Heat Kit Data.....	6
Wiring Diagram.....	7

### Product Features

- Direct drive, multi-speed PSC blower motor
- Cooling or heat pump applications: upflow, downflow, and horizontal
- Blower section usable as an electric furnace
- Control board includes a fan delay in the cooling mode and is isolated from the air stream
- Intended for use with CAPF/CHPF cased evaporator coils
- CAPF/CHPF coils are equipped with a check flowrater
- AHRI certified; ETL listed
- Painted, galvanized steel cabinet
- Horizontal or vertical configuration capabilities
- 21" depth for easier attic access
- Foil-faced insulation is glued in place and covers the entire blower case to reduce operating sound and cabinet condensation
- Galvanized, leather grain-embossed finish
- 3 kW – 21 kW electric heat kits available
- Cabinet air leakage less than 2% at 1.0 inch H<sub>2</sub>O when tested in accordance with ASHRE standard 193
- Cabinet air leakage less than 1.4% at 0.5 inch H<sub>2</sub>O when tested in accordance with ASHRE standard 193



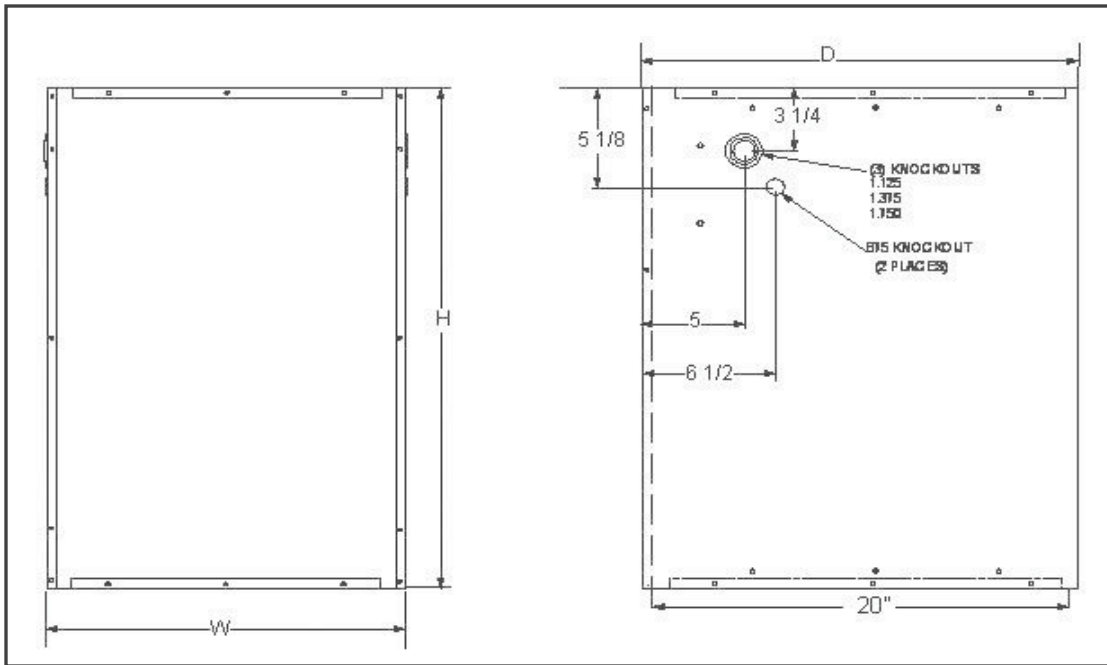
\* Complete warranty details available from your local dealer or at [www.goodmanmfg.com](http://www.goodmanmfg.com). To receive the 10-Year Parts Limited Warranty, online registration must be completed within 60 days of installation. Online registration is not required in California or Quebec.



MODEL	MBR0800AA-1	MBR1200AA-1	MBR1600AA-1	MBR2000AA-1
<b>BLOWER</b>				
Diameter	9"	9"	10"	10"
Width	6"	8"	8"	10"
<b>ELECTRICAL DATA</b>				
Voltage	208 / 230	208/230	208 / 230	208 / 230
Min Circuit Ampacity	1.9	3	3.8	4.9
Max. Overcurrent Device (Amps)	15	15	15	15
<b>BLOWER MOTOR</b>				
Horsepower (HP)	¼	⅓	⅓	½
Ship Weight (Lbs.)	62	62	73	84

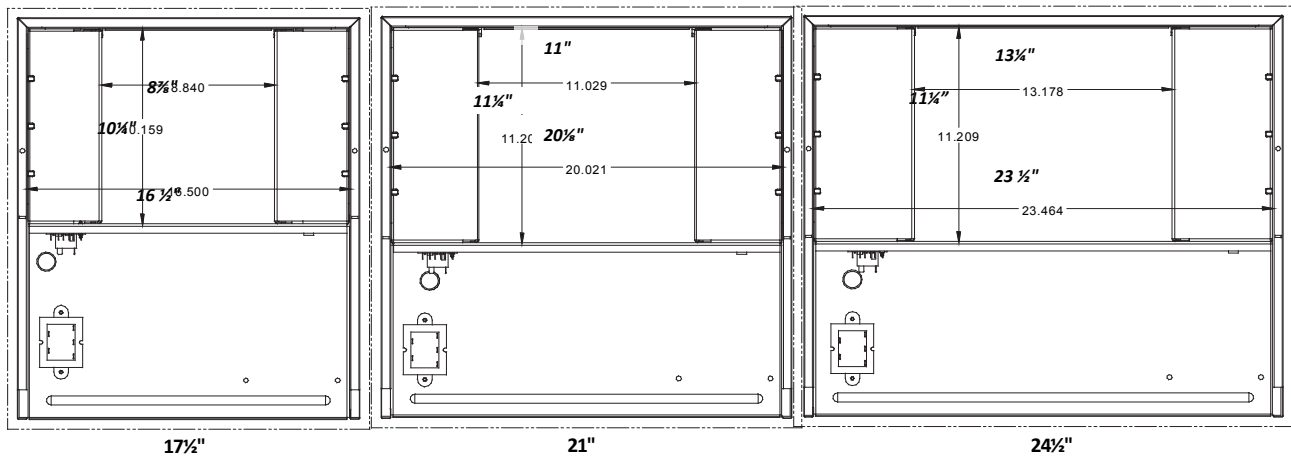
- Minimum Circuit Ampacity (MCA) and Maximum Overcurrent Protection (MOP) for blower without supplemental heat installed. Refer to unit nameplate for these specifications with approved accessory heaters installed.

SIDE AND FRONT VIEWS



	W	H	D
MBR0800*	17½"	26"	21"
MBR1200*	17½"	26"	21"
MBR1600*	21"	30"	21"
MBR2000*	24½"	30"	21"

TOP VIEW



SPEED	STATIC	MBR0800**_* SCFM	MBR1200**_* SCFM	MBR1600**_* SCFM	MBR2000**_* SCFM
High	0.1	1,240	1,500	1,800	2,160
	0.2	1,170	1,460	1,740	2,080
	0.3	1,120	1,360	1,680	1,990
	0.4	1,060	1,280	1,610	1,890
	0.5	980	1,200	1,520	1,790
	0.6	900	1,110	1,430	1,690
Medium	0.1	900	1,380	1,540	1,730
	0.2	850	1,320	1,490	1,670
	0.3	790	1,270	1,450	1,590
	0.4	740	1,200	1,400	1,520
	0.5	680	1,140	1,350	1,420
	0.6	605	1,040	1,280	1,320
Low	0.1	650	1,170	1,130	1,520
	0.2	590	1,130	1,100	1,450
	0.3	540	1,080	1,070	1,360
	0.4	500	1,020	1,030	1,290
	0.5	430	950	990	1,200
	0.6	330	830	930	1,090

**NOTES**

- The chart is for information only. For satisfactory operation, external static pressure must not exceed value shown on rating plate.
- Use the CFM adjustment factors of .98 for horizontal left, .95 for horizontal right & .96 for downflow orientations.

HEAT KIT DATA

MODELS	CIRCUIT 1			CIRCUIT 2			SINGLE-POINT KIT	
	HEATER AMPS	MCA <sup>1</sup>	MOP <sup>2</sup>	HEATER AMPS	MCA <sup>1</sup>	MOP <sup>2</sup>	MCA <sup>1</sup>	MOP <sup>2</sup>
<b>MBR0800AA-1 **</b>	0 / 0	1.9 / 1.9	15 / 15	---	---	---	---	---
HKR-03*	10.8 / 12.5	15.4 / 18	20 / 20	---	---	---	---	---
HKR-05* / 05C*	17.2 / 19.8	23 / 27	25 / 30	---	---	---	---	---
HKR-06*	21.7 / 25.0	29 / 33	30 / 35	---	---	---	---	---
HKR-08* / -08C*	25.3 / 29.2	33 / 38	35 / 40	---	---	---	---	---
HKR-10* / -10C*	34.3 / 39.6	45 / 51	45 / 60	---	---	---	---	---
<b>MBR1200AA-1 **</b>	0 / 0	3.0 / 3.0	15 / 15	---	---	---	---	---
HKR-03*	10.8 / 12.5	17 / 19	20 / 20	---	---	---	---	---
HKR-05* / 05C*	17.2 / 19.8	24 / 28	25 / 30	---	---	---	---	---
HKR-06*	21.7 / 25.0	30.1 / 34	35 / 40	---	---	---	---	---
HKR-08* / -08C*	25.3 / 29.2	35 / 39	35 / 40	---	---	---	---	---
HKR-10* / -10C*	34.3 / 39.6	46 / 52	50 / 60	---	---	---	---	---
HKA-15C*	34.3 / 39.6	46 / 52	50 / 60	17.2 / 19.8	21 / 25	25 / 25	67/77	70 / 80
HKA-20C*	34.3 / 39.6	46 / 52	50 / 60	34.3 / 39.6	43 / 49	45 / 50	89/102	90 / 110
^HKR3-15*	0 / 0	3.0 / 3.0	15 / 15	31.3 / 36.1	39 / 45.1	40 / 50	---	---
^HKR3-20*	0 / 0	3.0 / 3.0	15 / 15	40.7 / 46.9	51 / 59	60 / 60	---	---
<b>MBR1600AA-1 **</b>	0 / 0	3.8 / 3.8	15 / 15	---	---	---	---	---
HKR-03*	10.8 / 12.5	17 / 19	20 / 20	---	---	---	---	---
HKR-05* / 05C*	17.2 / 19.8	25.2 / 28	30 / 30	---	---	---	---	---
HKR-06*	21.7 / 25.0	31 / 35	35 / 35	---	---	---	---	---
HKR-08* / -08C*	25.3 / 29.2	35.3 / 40.2	40 / 45	---	---	---	---	---
HKR-10* / -10C*	34.3 / 39.6	47 / 53	50 / 60	---	---	---	---	---
HKA-15C*	34.3 / 39.6	47 / 53	50 / 60	17.2 / 19.8	21 / 25	25 / 25	68/78	70 / 80
HKA-20C*	34.3 / 39.6	47 / 53	50 / 60	34.3 / 39.6	43 / 49	45 / 50	90/103	90 / 110
^HKR3-15*	0 / 0	3.8 / 3.8	15 / 15	31.3 / 36.1	39 / 45.1	60 / 60	---	---
^HKR3-20*	0 / 0	3.8 / 3.8	15 / 15	40.7 / 46.9	51 / 59	60 / 60	---	---
<b>MBR2000AA-1 **</b>	0 / 0	4.9 / 4.9	15 / 15	---	---	---	---	---
HKR-03*	10.8 / 12.5	18 / 21	20 / 25	---	---	---	---	---
HKR-05* / 05C*	17.2 / 19.8	26 / 30	30 / 35	---	---	---	---	---
HKR-06*	21.7 / 25.0	32 / 36	35 / 40	---	---	---	---	---
HKR-08* / -08C*	25.3 / 29.2	36 / 41	40 / 45	---	---	---	---	---
HKR-10* / -10C*	34.3 / 39.6	48 / 54	50 / 60	---	---	---	---	---
HKA-15C*	34.3 / 39.6	48 / 54	50 / 60	17.2 / 19.8	21 / 25	25 / 25	69/79	70 / 80
HKA-20C*	34.3 / 39.6	48 / 54	50 / 60	34.3 / 39.6	43 / 49	45 / 50	91/104	100 / 110
^HKR3-15*	0 / 0	4.9 / 4.9	15 / 15	31.3 / 36.1	39 / 45.1	40 / 50	---	---
^HKR3-20*	0 / 0	4.9 / 4.9	15 / 15	40.7 / 46.9	51 / 59	60 / 60	---	---

All ampacities noted above include air handler motor amps

Circuit 1: Single-phase for Air Handlers / Circuit 2: Three-phase for HKR3 Heater Kits

<sup>1</sup> Minimum Circuit Ampacity (Heater Amps + Motor Amps) X 1.25

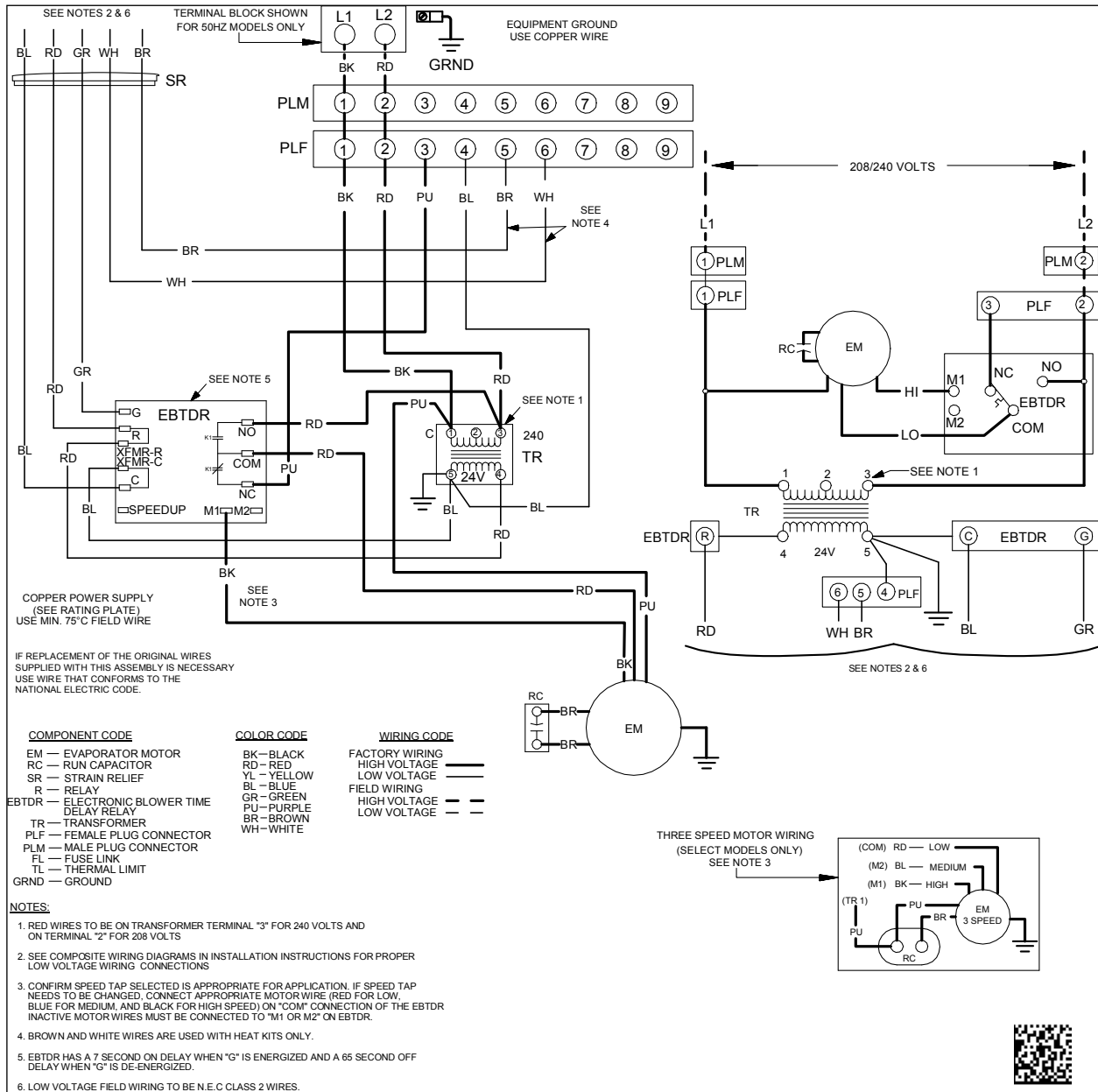
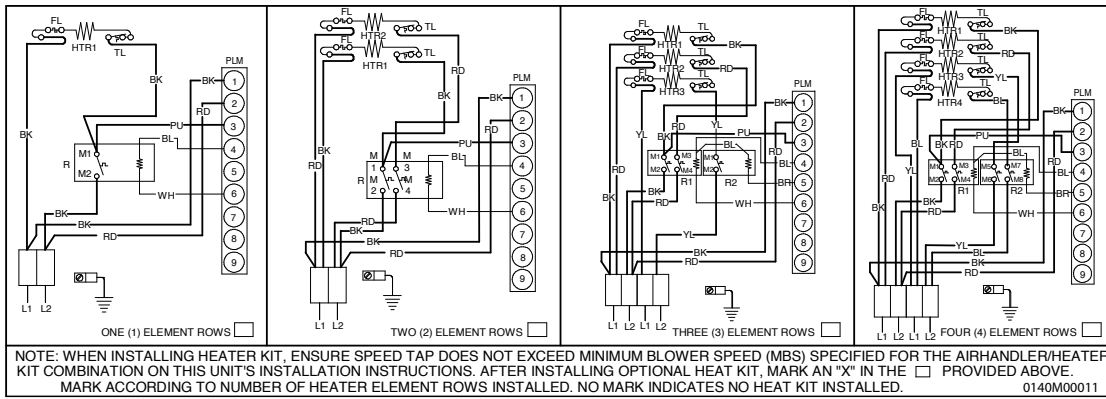
<sup>2</sup> Maximum Overcurrent Protection = 2.25 X Motor Amps + Heater Amps

\* Revision level that may or may not be designated

C = Circuit Breaker Option

--- indicates Not Required

- Only applicable when HKA kits are included in table  
HKA meets the new UL1995 requirements for 15 and 20KW heaters
- MBVC and MBR models



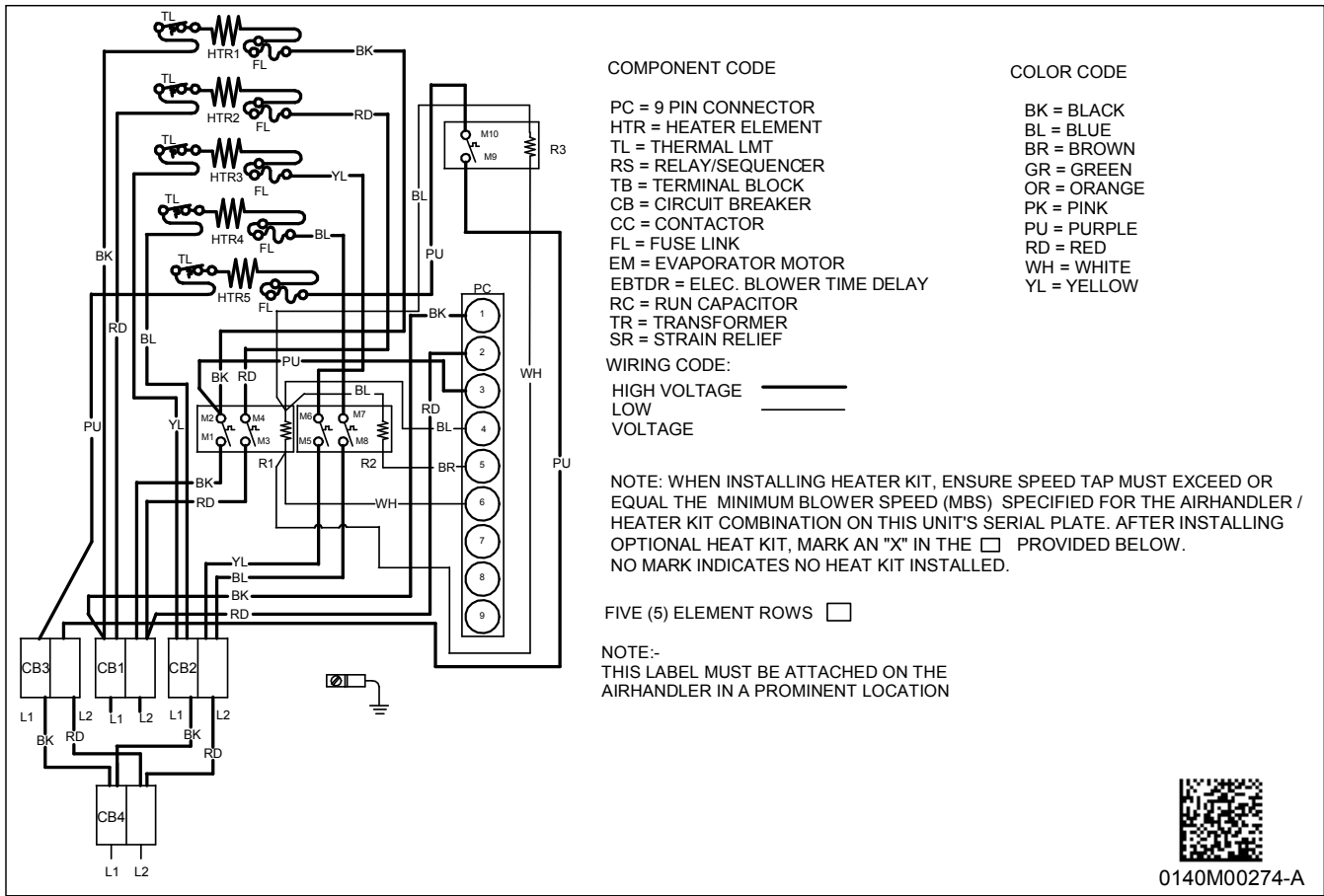
Wiring is subject to change. Always refer to the wiring diagram on the unit for the most up-to-date wiring.



**WARNING**

**High Voltage:** Disconnect all power before servicing or installing this unit. Multiple power sources may be present. Failure to do so may cause property damage, personal injury, or death.

# WIRING DIAGRAM – FIVE-ELEMENT HEATER KIT



Wiring is subject to change. Always refer to the wiring diagram on the unit for the most up-to-date wiring.



**WARNING**

**High Voltage:** Disconnect all power before servicing or installing this unit. Multiple power sources may be present. Failure to do so may cause property damage, personal injury, or death.

