



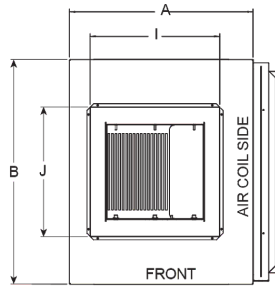
Two-Stage Geothermal Heat Pump Series

Physical Data

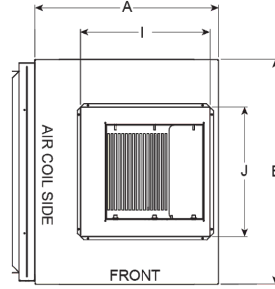
Model	Dual Capacity			
	024	036	048	060
Compressor (1 Each)	Copeland 2-Speed Scroll, UltraTech			
Factory Charge R410-A, oz [kg] Vertical	tbd*	tbd*	tbd*	tbd*
Factory Charge R410-A, oz [kg] Horizontal	tbd*	tbd*	tbd*	tbd*
Variable Speed ECM Blower Motor and Blower				
Blower Series	DEC Star Blower			
Blower Motor Type	Axial Flux (No Shaft) BLAC Motor w/ Variable Speed ECM Technology			
Blower Motor - hp	3/4	3/4	3/4	3/4
Blower Wheel Size (Dia x W), in.	10 x 10	10 x 10	10 x 10	10 x 10
Coax and Water Piping				
Water Connection Type	Flo-Link Double O-Ring Fittings			
Water Connection Size	1" FPT	1" FPT	1" FPT	1" FPT
Desuperheater HWG Connection Type	FPT			
Desuperheater HWG Connection Size - FPT - in	1/2	1/2	1/2	1/2
Vertical				
Air Coil Dimensions (H x W), in.	28 x 25	28 x 25	32 x 25	36 x 25
Air Coil Total Face Area, sq. ft	4.9	4.9	5.6	6.3
Air Coil Tube Size, in.	3/8	3/8	3/8	3/8
Air Coil Number of Rows	3	3	3	4
Filter Standard - 1 in. Pleated MERV 4 Throwaway, in.	28 x 30	28 x 30	32 x 30	36 x 30
Filter Standard - 2 in. Pleated MERV 13 Throwaway, in.	28 x 30	28 x 30	32 x 30	36 x 30
Horizontal				
Air Coil Dimensions (H x W), in.	20 x 35	20 x 35	20 x 40	20 x 45
Air Coil Total Face Area, sq. ft	4.9	4.9	5.6	6.3
Air Coil Tube Size, in.	3/8	3/8	3/8	3/8
Air Coil Number of Rows	3	3	3	4
Filter Standard - 1 in. Pleated MERV 4 Throwaway, in.	20 x 37	20 x 37	(Qty 1) - 20 x 22 (Qty 1) - 20 x 20	(Qty 1) - 20 x 25 (Qty 1) - 20 x 22
Filter Standard - 2 in. Pleated MERV 13 Throwaway, in.	20 x 37	20 x 37	(Qty 1) - 20 x 22 (Qty 1) - 20 x 20	(Qty 1) - 20 x 25 (Qty 1) - 20 x 22



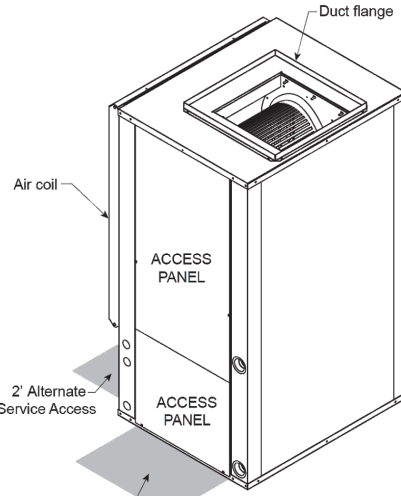
Two-Stage Geothermal Heat Pump Series



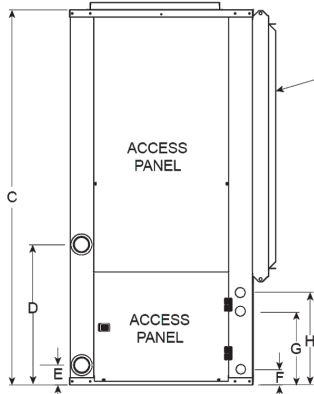
Top View - Right Return



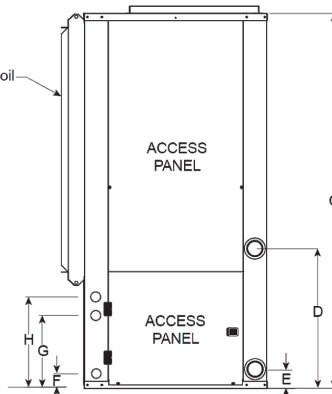
Top View - Left Return



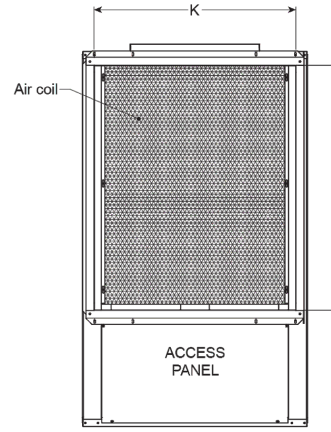
Isometric View - Left Return



Front View - Right Return



Front View - Left Return



Right View - Right Return
Left View - Left Return

Vertical Models	Overall Cabinet			Water Connections					Discharge Connection (duct flange installed)		Return Connection		
	A	B	C	D	E	F	G	H	I	J	K	L	
	Width	Depth	Height	Water Out	Water In	HWG In	HWG Out	Condensate	Supply Width	Supply Depth	Return Depth	Return Height	
024	in.	25.75	32.00	44.00	15.00	3.00	2.38	10.75	13.50	18.00	18.00	28.00	26.00
	cm.	65.41	81.28	111.76	38.10	7.62	6.03	27.31	34.29	45.72	45.72	71.12	66.04
036	in.	25.75	32.00	44.00	18.25	3.00	2.38	10.75	13.50	18.00	18.00	28.00	26.00
	cm.	65.41	81.28	111.76	46.36	7.62	6.03	27.31	34.29	45.72	45.72	71.12	66.04
048	in.	25.75	32.00	48.00	18.25	3.00	2.38	10.75	13.50	18.00	18.00	28.00	30.00
	cm.	65.41	81.28	121.92	46.36	7.62	6.03	27.31	34.29	45.72	45.72	71.12	76.20
060	in.	25.75	32.00	52.00	19.50	3.00	2.38	10.75	13.50	18.00	18.00	28.00	34.00
	cm.	65.41	81.28	132.08	49.53	7.62	6.03	27.31	34.29	45.72	45.72	71.12	86.36