

DZ13SA Remote Heat Pumps (3-Phase)

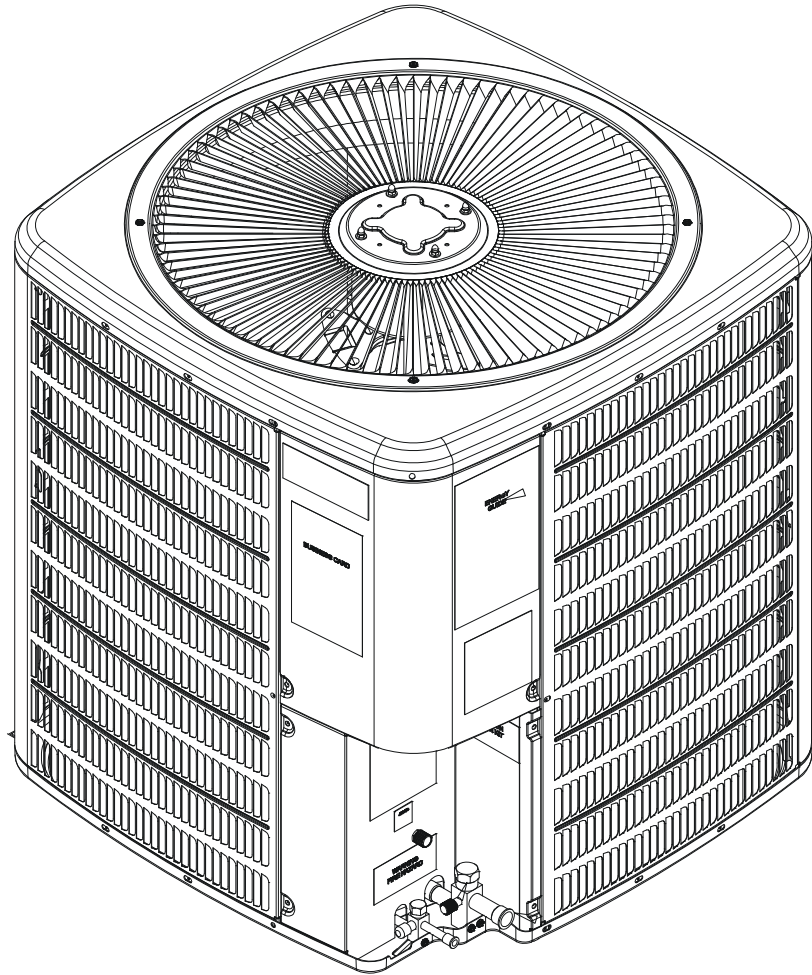
DZ13SA0363AA

DZ13SA0483AA

DZ13SA0484AA

DZ13SA0603AA

DZ13SA0604AA



This manual is to be used by qualified technicians only.

© 2013 Daikin Manufacturing Company, L.P. ♦ 5151 San Felipe St., Suite 500 ♦ Houston, TX 77056

Important Information

Index

Functional Parts List	3
Illustration and Parts	4 - 9

Views shown are for parts illustrations only, not servicing procedures.

Introduction of Daikin branded products

Text Codes:

AR - As Required

NA - Not Available

NS - Not Shown

00000000 - See Note

QTY - Quantity Example (QTY 3) (If Quantity not shown, Quantity = 1)

M - Model Example (M1) (If M Code not shown, then part is used on all Models)

Expanded Model Nomenclature:

Example
M1 - Model#1
M2 - Model#2
M3 - Model#3

Daikin Manufacturing Company, L.P. is not responsible for personal injury or property damage resulting from improper service. Review all service information before beginning repairs.

Warranty service must be performed by an authorized technician, using authorized factory parts. If service is required after the warranty expires, Daikin Manufacturing Company, L.P. also recommends contacting an authorized technician and using authorized factory parts.

Daikin Manufacturing Company, L.P. reserves the right to discontinue, or change at any time, specifications or designs without notice or without incurring obligations.

For assistance within the U.S.A. contact:

Consumer Affairs Department

Daikin North America, LLC

7401 Security Way

Houston, Texas 77040

855-770-5678-Telephone

713-863-2382-Facsimile

For assistance outside the U.S.A. contact:

International Division

Daikin North America, LLC

7401 Security Way

Houston, Texas 77040

713-861-2500-Telephone

713-863-2382-Facsimile

Functional Parts

Part

No: Description:

B12825171	3/8 BASE VALVE (OPEN)
CAP050000370VA	CAPACITOR 5/370V
ZP31K5ETF5130	COMPRESSOR 31200, 200/230/60/3 (M1)
ZP39K5ETF5130	COMPRESSOR 39000, 200/230/60/3 (M2)
ZP51K5ETFD130	COMPRESSOR 51000, 460/60/3 (M5)
ZP39K5ETFD130	COMPRESSOR, 39000, 460/60/3 (M3)
ZP51K5ETF5130	COMPRESSOR,51000,208/230/60/3 (M4)
0131M00018P	COND MOTOR 1/4 HP, 1 SP, 6 PL (M1, M2)
0131M00022	COND MOTOR 1/4 HP, 8 PL, 460V (M3, M5)
0131M00061	COND MOTOR, 1/4HP, 1SP, 8PL (M4)
CONT3P025024V	CONTACTOR 25 AMP, 3P, 24V
0130M00105	CONTROL, DEFROST
PCBDM130	DEFROST CONTROL BOARD
B1086750	FAN BLADE 22", 3 BLADE, 24° (M2)
10625738	FAN BLADE 26" ALUM CCW (M4, M5)
B1086765	FAN BLADE TYPE 3 (M3)
0150M00022	FAN BLADE, 22" (M1)
0163R00004	HEATER CRANKCASE, 460V, 40W (M3, M5)
0163R00003	HEATER, CRANKCASE 230V 40W (M2, M4)
0163R00002	HEATER, CRANKCASE 230V, 40W (M1)
0130M00089	HIGH PRESSURE SWITCH
0130R00000	LOW PRESSURE SWITCH
0151M00020	REVERSING VALVE (M2, M3, M4, M5)
0151M00019	REVERSING VALVE (M1)
B1225022	SOLENOID COIL
0151R00032	VALVE, BASE 3/4" OPEN LEFT (M1)
0151R00033	VALVE, BASE 7/8" OPEN LEFT (M2, M3, M4, M5)

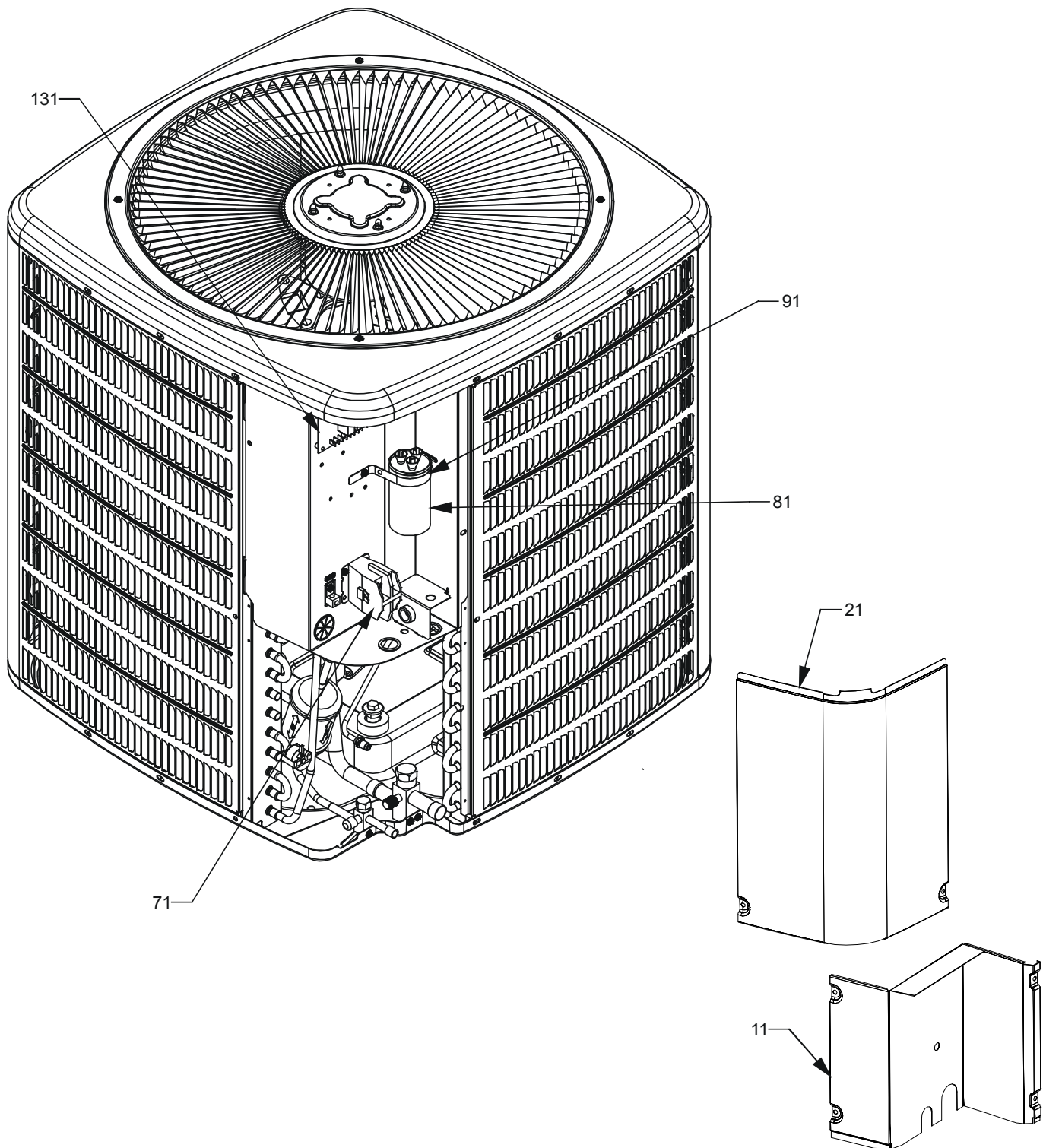
SPECIAL PARTS

0161R00037 NAMEPLATE, DAIKIN

Expanded Model Nomenclature

M1 - DZ13SA0363AA
M2 - DZ13SA0483AA
M3 - DZ13SA0484AA
M4 - DZ13SA0603AA
M5 - DZ13SA0604AA

Control Cover / Control Box



Control Cover / Control Box

Ref. Part No: No:	Description:	Ref. Part No: No:	Description:
-------------------	--------------	-------------------	--------------

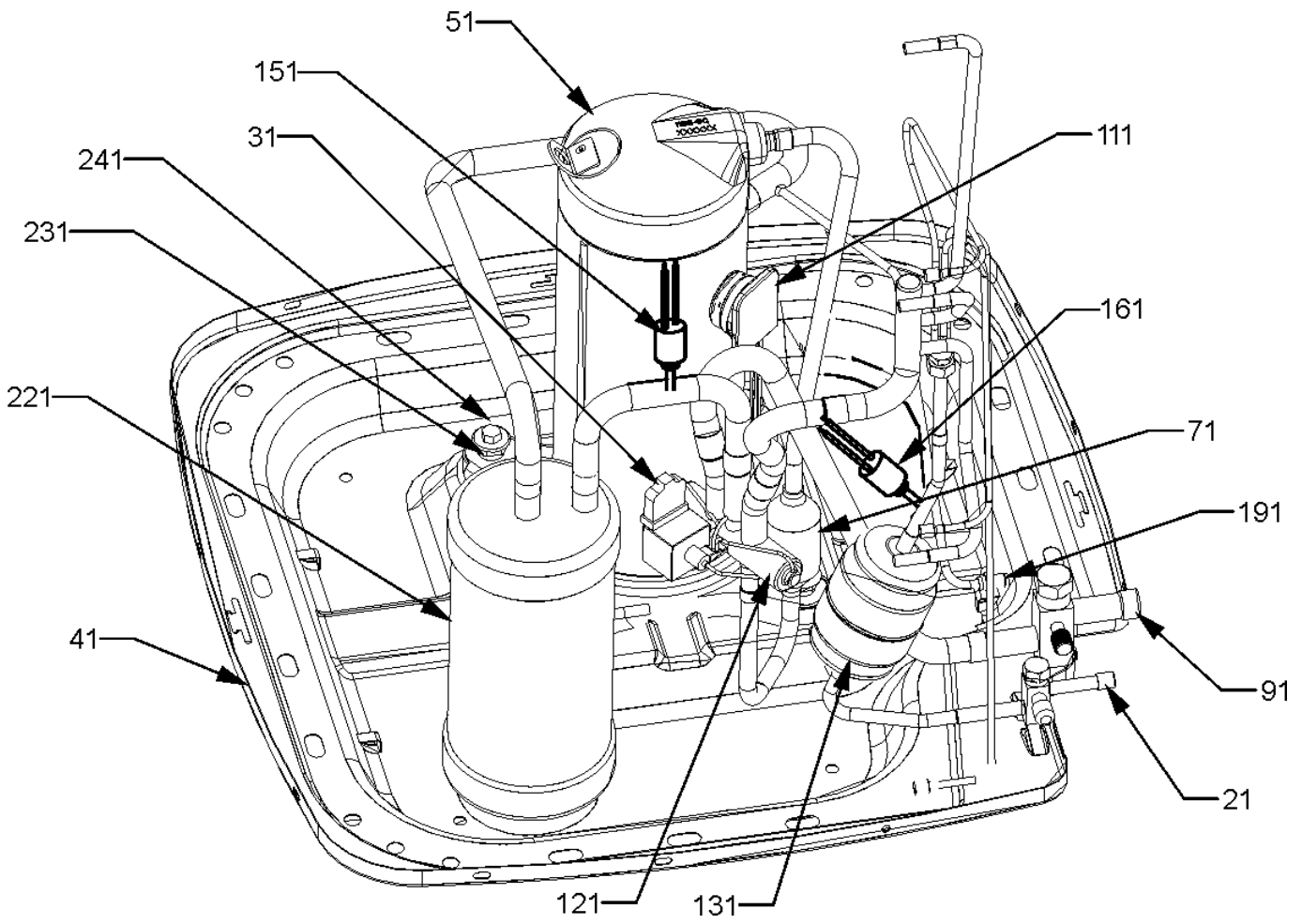
Image 1:

11	0121R00318PNG	PANEL, LOWER ACCESS PNT (M1)
11	0121R00321PNG	PANEL, LOWER ACCESS PNT (M2, M3, M4, M5)
21	0272R00636PNG	PANEL, CONTROL C/HP PNT
71	CONT3P025024V	CONTACTOR 25 AMP, 3P, 24V
81	CAP050000370VA	CAPACITOR 5/370V
91	4400065	CAPACITOR STRAP
131	PCBDM130	DEFROST CONTROL BOARD
NS	0161R00037	NAMEPLATE, DAIKIN

Expanded Model Nomenclature

- M1 - DZ13SA0363AA
- M2 - DZ13SA0483AA
- M3 - DZ13SA0484AA
- M4 - DZ13SA0603AA
- M5 - DZ13SA0604AA

Compressor / Tubing Assembly



Compressor / Tubing Assembly

Ref. Part No: No:	Description:	Ref. Part No: No:	Description:
-------------------	--------------	-------------------	--------------

Image 1:

21	B12825171	3/8 BASE VALVE (OPEN)
31	B1225020	SOLENOID COIL CORD W/1/4" TERMINAL
41	0121R00006PNG	BASE PAN 29" (M1, M2, M3)
41	0121R00007PNG	BASE PAN 35" (M4, M5)
51	ZP31K5ETF5130	COMPRESSOR 31200, 200/230/60/3 (M1)
51	ZP39K5ETF5130	COMPRESSOR 39000, 200/230/60/3 (M2)
51	ZP51K5ETFD130	COMPRESSOR 51000, 460/60/3 (M5)
51	ZP39K5ETFD130	COMPRESSOR, 39000, 460/60/3 (M3)
51	ZP51K5ETF5130	COMPRESSOR, 51000, 208/230/60/3 (M4)
71	B1219301	MUFFLER 1/2 X 1/2
91	0151R00032	VALVE, BASE 3/4" OPEN LEFT (M1)
91	0151R00033	VALVE, BASE 7/8" OPEN LEFT (M2, M3, M4, M5)
111	0159R00008	COMPRESSOR SCROLL HARNESS (M1, M2, M3)
111	0159R00009	COMPRESSOR SCROLL HARNESS (M4, M5)
121	0151M00019	REVERSING VALVE (M1)
121	0151M00020	REVERSING VALVE (M2, M3, M4, M5)
131	20485201	BI-FLOW FILTER DRIER
151	0130R00000	LOW PRESSURE SWITCH
161	0130M00089	HIGH PRESSURE SWITCH
191	B1787000	VALVE CORE
221	B1226206	ACCUMULATOR (M1)
221	B1226207	ACCUMULATOR .875 (M2, M3, M4, M5)
231	B1339533	COMPRESSOR GROMMET (QTY 4)
241	M0221641	TF SHOULDER SCREW (QTY 4)
NS	0163R00004	HEATER CRANKCASE, 460V, 40W (M3, M5)
NS	0163R00003	HEATER, CRANKCASE 230V 40W (M2, M4)
NS	0163R00002	HEATER, CRANKCASE 230V, 40W (M1)
NS	B1225022	SOLENOID COIL

Expanded Model Nomenclature

M1 - DZ13SA0363AA
M2 - DZ13SA0483AA
M3 - DZ13SA0484AA
M4 - DZ13SA0603AA
M5 - DZ13SA0604AA

Cabinet Top / Coil / Side Panels

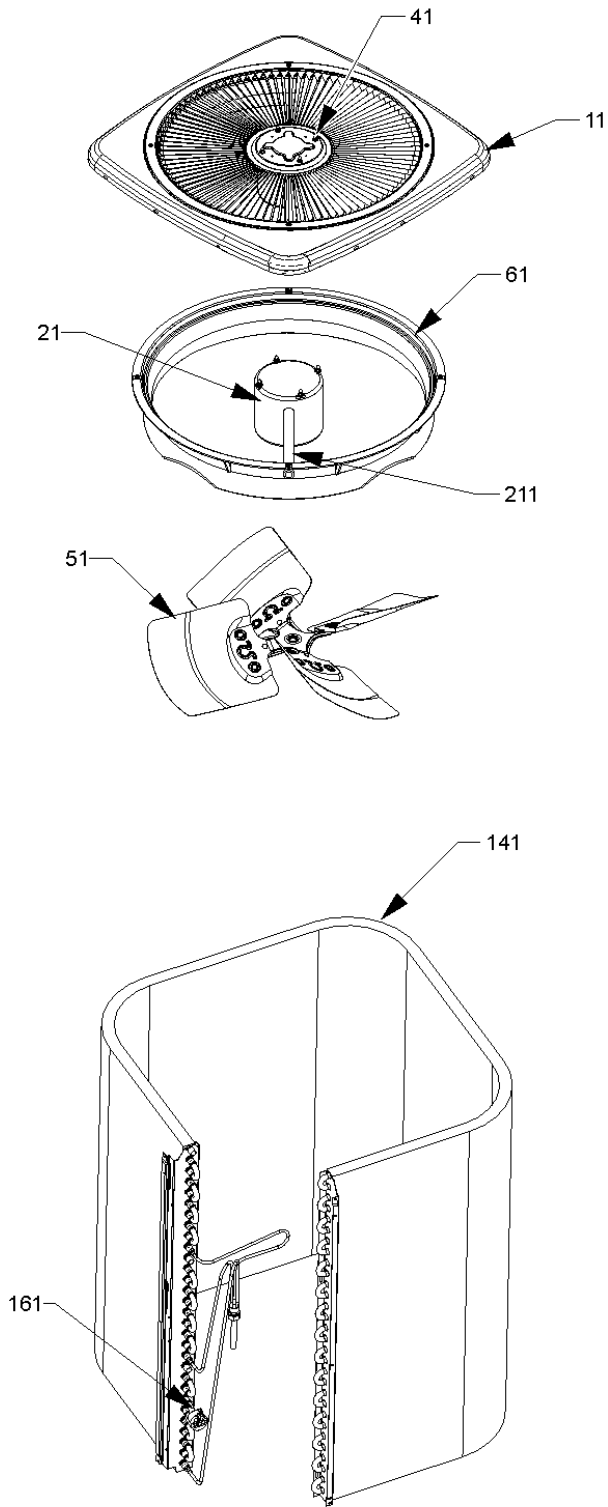


Image 1

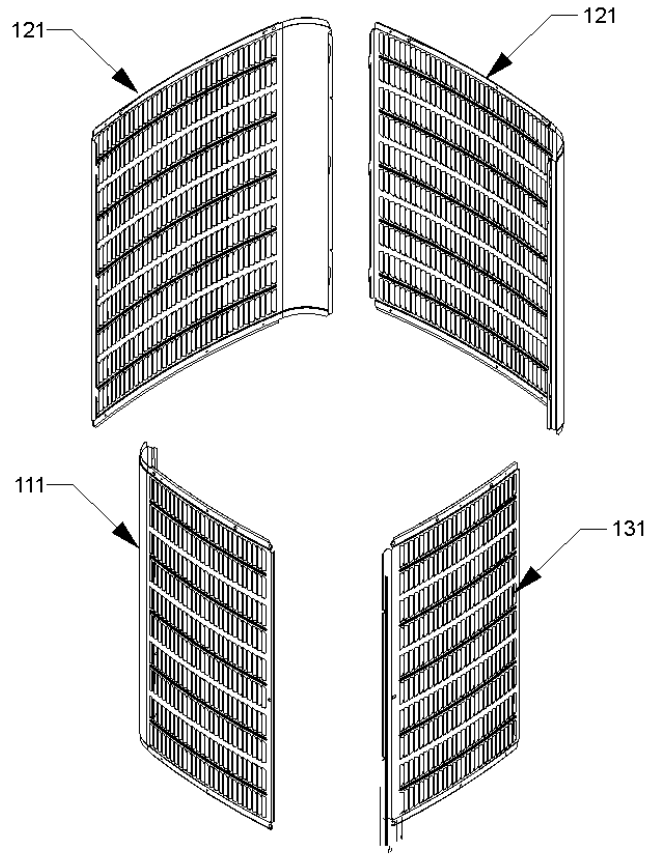
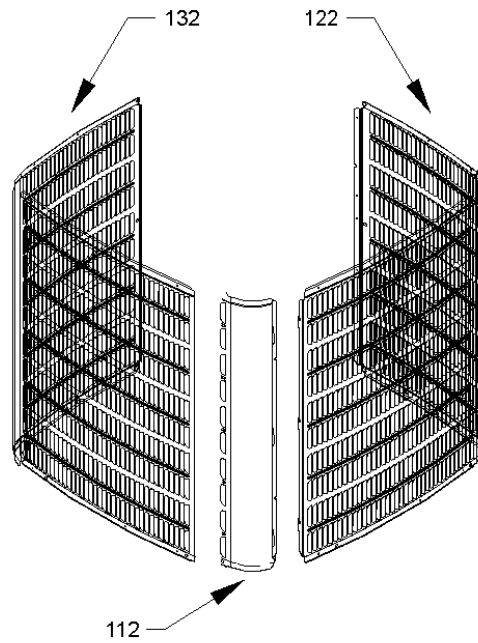


Image 2



Cabinet Top / Coil / Side Panels

Ref. Part No: No:	Description:	Ref. Part No: No:	Description:
-------------------	--------------	-------------------	--------------

Image 1:

11	0121R00010PNG	TOP PANEL 29" (M1, M2, M3)
11	0121R00269PNG	Top Panel, 35" Pnt (M4, M5)
21	0131M00018P	COND MOTOR 1/4 HP, 1 SP, 6 PL (M1, M2)
21	0131M00022	COND MOTOR 1/4 HP, 8 PL, 460V (M3, M5)
21	0131M00061	COND MOTOR, 1/4HP, 1SP, 8PL (M4)
41	0163M00006P	ACORN NUT 5/16 HEX BLACK (QTY 4)
51	B1086750	FAN BLADE 22", 3 BLADE, 24° (M2)
51	10625738	FAN BLADE 26" ALUM CCW (M4, M5)
51	B1086765	FAN BLADE TYPE 3 (M3)
51	0150M00022	FAN BLADE, 22" (M1)
61	0161L00000	VENTURI RING 22" (M1, M2, M3)
61	0161R00007P	VENTURI RING 35" (M4, M5)
111	0121R00042PNGB	LOUVERED SIDE PANEL [LT OF CNTL PNL] (M4, M5)
121	0121R00046PNGB	LOUVERED SIDE PANEL (M4, M5)
131	0121R00050PNG	LOUVERED SIDE PANEL [RT OF CNTL PNL] (M4, M5)
141	0201R00151	TUBING ASSY, COND COIL (M1)
141	0201R00154	TUBING ASSY, COND COIL (M2, M3)
141	0201R00155	TUBING ASSY, COND COIL (M4, M5)
161	0130M00105	CONTROL, DEFROST
211	0161R00002P	CONDUIT (M1, M2, M3)
211	0161R00004P	CONDUIT (M4, M5)

Image 2:

112	0121R00351PNG	LOUVER PANEL POST (M2, M3)
112	0121R00353PNG	LOUVER PANEL POST (M1)
122	0121R00343PNGRS	LOUVER PANEL BENT RIGHT (M2, M3)
122	0121R00345PNGRS	LOUVER PANEL BENT RIGHT (M1)
132	0121R00343PNGLS	LOUVER PANEL BENT LEFT (M2, M3)
132	0121R00345PNGLS	LOUVER PANEL BENT LEFT (M1)
NS	B1789868	FLOW CHECK PISTON KIT .068 (M1)
NS	B1789878	FLOW CHECK PISTON KIT .078 (M2, M3)
NS	B1789888	FLOW CHECK PISTON KIT .088 (M4, M5)

Expanded Model Nomenclature

M1 - DZ13SA0363AA
M2 - DZ13SA0483AA
M3 - DZ13SA0484AA
M4 - DZ13SA0603AA
M5 - DZ13SA0604AA