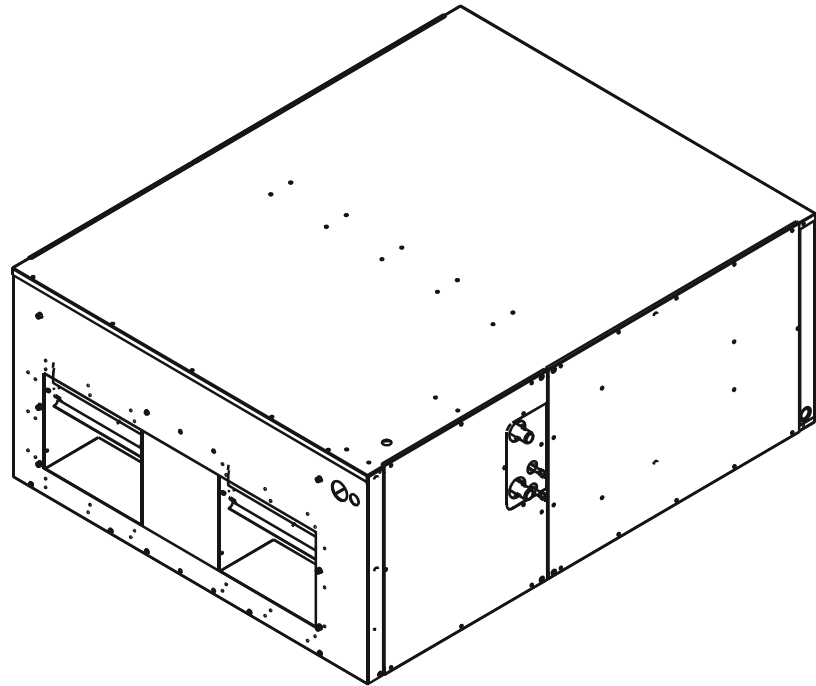


**DAR090/120 Commercial Air Handlers**

DAR0904AA

DAR1204AA



This manual is to be used by qualified technicians only.

# Important Information

---

## Index

Functional Parts List .....	3
Illustration and Parts .....	4 - 11

*Views shown are for parts illustrations only, not servicing procedures.*

Introduction of Daikin branded products.  
7-11-13: Updated drain pan assy

### Text Codes:

- AR - As Required
- NA - Not Available
- NS - Not Shown
- 00000000 - See Note
- QTY - Quantity Example (QTY 3) (If Quantity not shown, Quantity = 1)
- M - Model Example (M1) (If M Code not shown, then part is used on all Models)

### Expanded Model Nomenclature:

Example M1 - Model#1 M2 - Model#2 M3 - Model#3
---

Daikin Company, L.P. is not responsible for personal injury or property damage resulting from improper service. Review all service information before beginning repairs.

Warranty service must be performed by an authorized technician, using authorized factory parts. If service is required after the warranty expires, Daikin Company, L.P. also recommends contacting an authorized technician and using authorized factory parts.

Daikin Company, L.P. reserves the right to discontinue, or change at any time, specifications or designs without notice or without incurring obligations.

For assistance within the U.S.A. contact:  
Consumer Affairs Department  
Daikin North America, LLC  
7401 Security Way  
Houston, Texas 77040  
855-770-5678-Telephone  
713-863-2382-Facsimile

For assistance outside the U.S.A. contact:  
International Division  
Daikin North America, LLC  
7401 Security Way  
Houston, Texas 77040  
713-861-2500-Telephone  
713-863-2382-Facsimile

# Functional Parts

## Part

## No: Description:

---

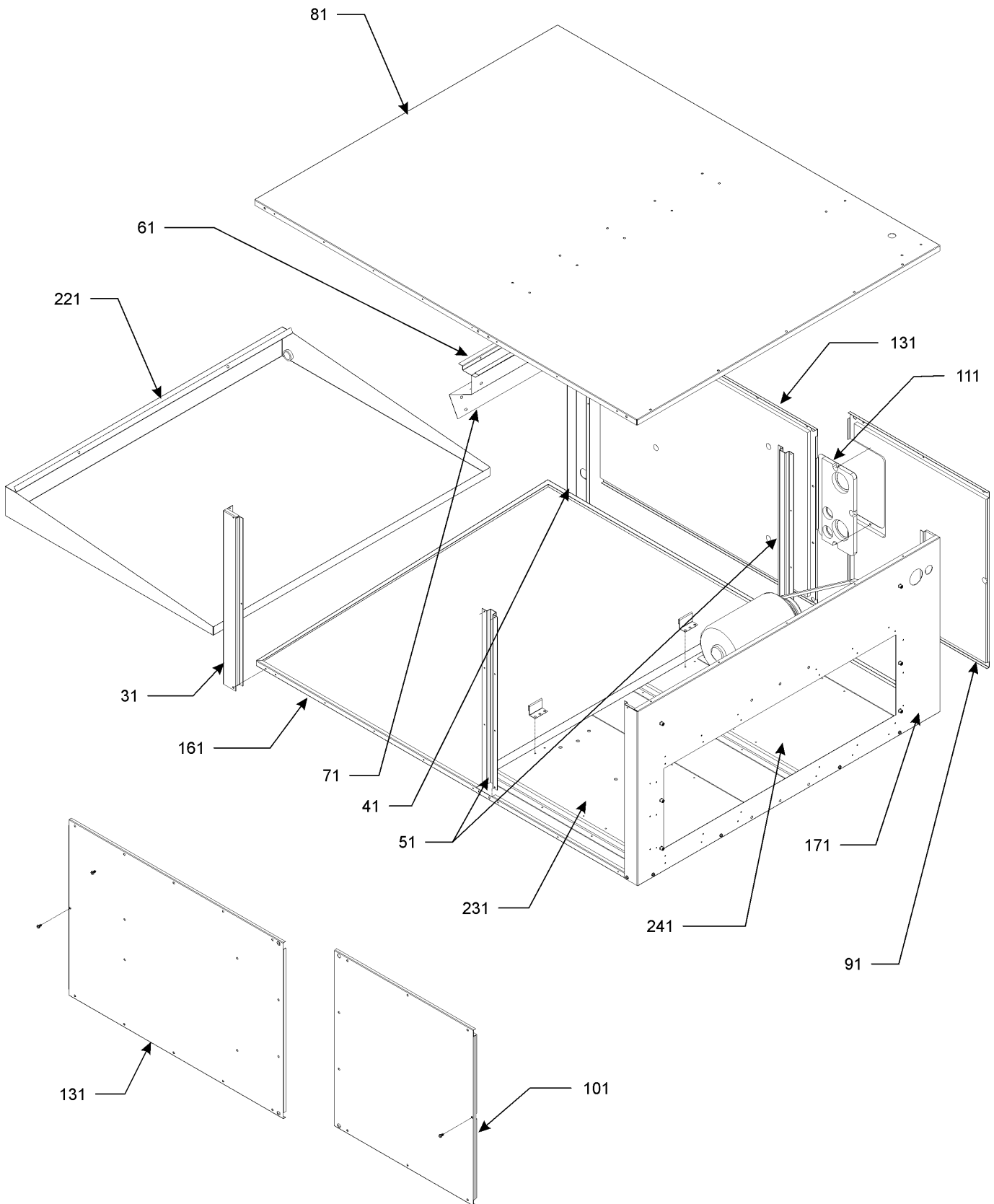
B1368056	BELT DRIVE BLOWER WHEEL (QTY 2)
B3240002	BELT DRIVE MOTOR 1.5 HP (M1)
B3240006	BELT DRIVE MOTOR 2 HP (M2)
CONT3P025024V	CONTACTOR 25 AMP, 3P, 24V
B2110011	FAN BELT AX41 (M2)
B2110005	NOTCHED FAN BELT (M1)
B1256551	SEQUENCER 5 KW
B1141672	TRANSFORMER 480V, 75VA, RESETTABLE

### Expanded Model Nomenclature

M1 - DAR0904AA

M2 - DAR1204AA

# Cabinet Assembly



# Cabinet Assembly

Ref. Part No: No:	Description:	Ref. Part No: No:	Description:
-------------------	--------------	-------------------	--------------

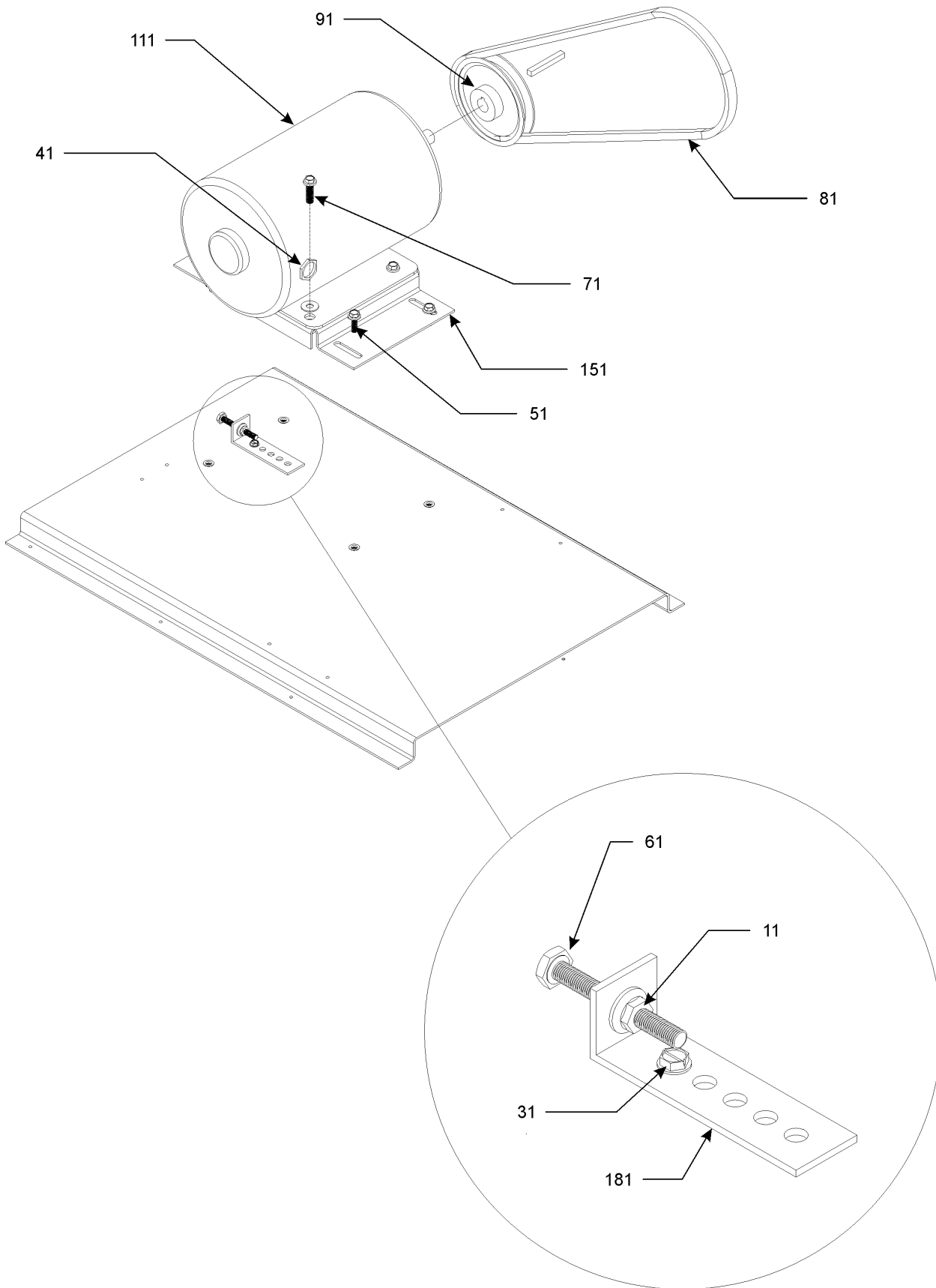
Image 1:

31	2122002F	REAR CORNER PANEL
41	2122003F	FRONT CORNER PANEL
51	2122011F	SUPPORT BRACKET (QTY 2)
61	2155716F	CHANNEL
71	2179523F	COIL BLOCK-OFF TOP (10 TON) (M2)
71	2179526F	COIL BLOCK-OFF TOP (7.5 TON) (M1)
81	2190001F	RIGHT SIDE PANEL INSUL. ASM.
91	2190004F	UPPER ACCESS PANEL INSUL. ASM.
101	2190005F	REAR PANEL INSUL. ASM.
111	2190006F	BLOCK-OFF PANEL INSUL. ASM.
131	2190003F	LOWER ACCESS PANEL (QTY 2)
161	2190000F	LEFT SIDE PANEL INSUL. ASM
171	2190002F	TOP PANEL INSUL. ASM
221	2102000F	DRAIN PAN ASSEMBLY
231	2124001F	SUPPORT PLATE
241	2162504F	SUPPORT PLATE ASM.

Expanded Model Nomenclature

M1 - DAR0904AA
M2 - DAR1204AA

# Motor & Motor Base Assembly



# Motor & Motor Base Assembly

Ref. Part No: No:	Description:	Ref. Part No: No:	Description:
-------------------	--------------	-------------------	--------------

---

Image 1:

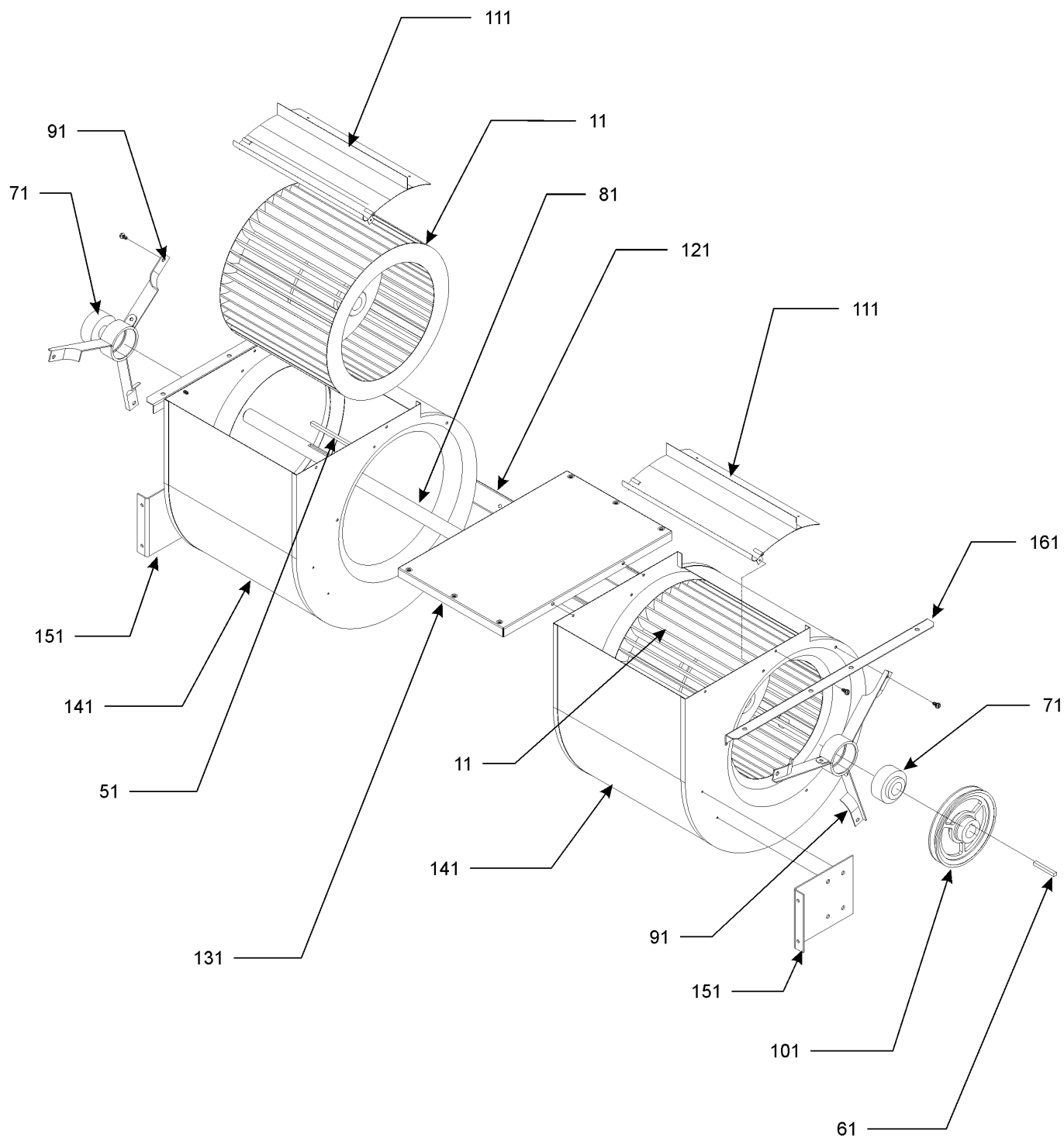
11	B1393023	NUT / LOCK .25-20
31	B1393576	SCREW / TTH .25 X 0.5 (QTY 13)
41	B1393726	ELECT. CONNECTING BUSHING
51	B1393738	BOLT 1/4-20 X 3/4" (QTY 4)
61	B1393739	BOLT, 1/4-20 X 2
71	B1446707	SCREW 5/16-18 X 1" (QTY 4)
81	B2110011	FAN BELT AX41 (M2)
81	B2110005	NOTCHED FAN BELT (M1)
91	B2120014	VARIABLE PITCH SHEAVE 1VL44 X 7/8" (M2)
91	B2120000	VARIABLE PITCH SHEAVE 3.15" (M1)
111	B3240002	BELT DRIVE MOTOR 1.5 HP (M1)
111	B3240006	BELT DRIVE MOTOR 2 HP (M2)
151	2162505F	MOTOR BASE
181	3225000F	BELT TIGHTENER ANGLE

Expanded Model Nomenclature

M1 - DAR0904AA

M2 - DAR1204AA

# Blower Assembly





# Blower Assembly

Ref. Part No: No:	Description:	Ref. Part No: No:	Description:
-------------------	--------------	-------------------	--------------

---

Image 1:

11	B1368056	BELT DRIVE BLOWER WHEEL (QTY 2)
51	B1398603	STEEL KEY (000158812) 4.5" (QTY 2)
61	B1398604	STEEL KEY (000158812) 2.0"
71	B1399500	BALL BEARING 1.00" (QTY 2)
81	B3200202	BLOWER SHAFT, 1"
91	B3201300	MOUNTING BRACKET BEARING (QTY 2)
101	B3204303	FIXED SHEAVE AK61 (M1)
101	B3204310	FIXED SHEAVE AK66 (M2)
111	1864703F	BLOWER CUT-OFF (QTY 2)
121	2122012F	BLOWER SUPPORT ANGLE
131	2190007F	BLOWER PLATE / INSULATION ASSEMBLY
141	2539302F	BLOWER HOUSING 11 X 10 (QTY 2)
151	2124004F	BLOWER SUPPORT (QTY 2)
161	2155715F	SCROLL ANGLE (QTY 2)
NS	B1392021	PLASTIC PLUG, 1" (2713-BLK) (QTY 4)

Expanded Model Nomenclature

M1 - DAR0904AA

M2 - DAR1204AA

# Control Box & Evaporator Assembly

Image 1

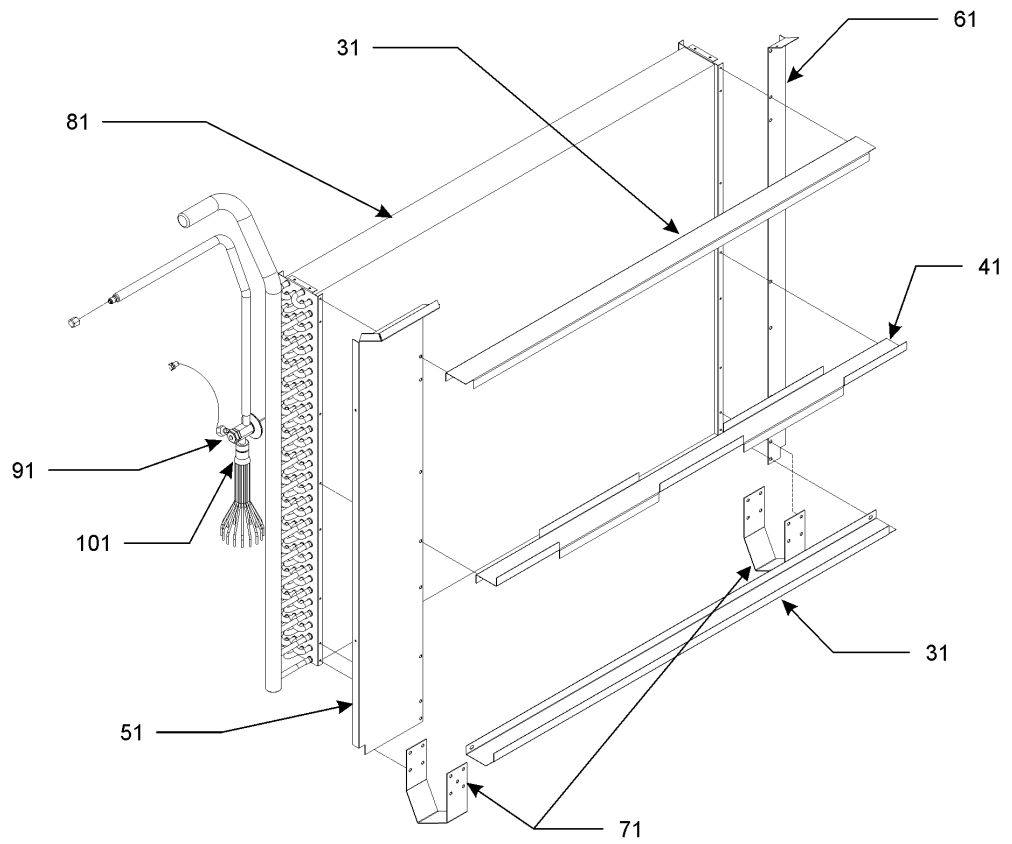
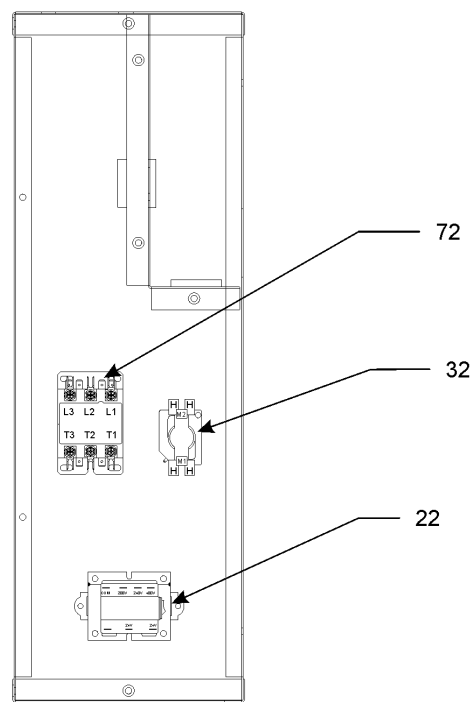


Image 2



# Control Box & Evaporator Assembly

Ref. Part No: No:	Description:	Ref. Part No: No:	Description:
-------------------	--------------	-------------------	--------------

*Image 1:*

31	2145000F	FILTER SUPPORT TOP & BOTTOM (QTY 2)
41	2145001F	FILTER SUPPORT
51	2179524F	COIL BLOCK-OFF RETURN SIDE
61	2179525F	COIL BLOCK-OFF HAIRPIN SIDE
71	2179522F	COIL BRACE (QTY 2)
81	0202A00168	COIL/MANIFOLD ASSY (M1)
81	0202A00171	COIL/MANIFOLD ASSY (M2)
91	0151R00026	EXPANSION VALVE (M2)
91	0151R00027	EXPANSION VALVE (M1)
101	B3232207	DISTRIBUTOR (M2)
101	B3232208	DISTRIBUTOR (M1)
NS	B1369608	AIR FILTER 20 X 16 X 2 (QTY A/R)
NS	B1369609	AIR FILTER 20 X 20 X 2 (M2)
NS	0163M00175	CAP W/O-RING (QTY A/R)
NS	B1787000	VALVE CORE (QTY A/R)

*Image 2:*

22	B1141672	TRANSFORMER 480V, 75VA, RESETTABLE
32	B1256551	SEQUENCER 5 KW
72	CONT3P025024V	CONTACTOR 25 AMP, 3P, 24V
NS	2168400F	FEMALE PLUG ASM, AR
NS	B1392104	UNIVERSAL BUSHING UB 875 (QTY 2)

Expanded Model Nomenclature

M1 - DAR0904AA

M2 - DAR1204AA