

# SERVICE FACTS

M951-SF-2A

## Upflow/Horizontal, Downflow/ Horizontal, Gas-Fired, Direct Vent, Condensing, Single Stage Furnaces:

M951P040BU24AA    M951P100CU48AA    M951P040BD24AA    M951P085CD48AA  
M951P060BU36AA    M951P100DU60AA    M951P065BD42AA    M951P110DD60AA  
M951P080BU42AB    M951P120DU60AA

**IMPORTANT** — This document contains a wiring diagram and service information. This is customer property and is to remain with this unit. Please return to service information pack upon completion of work.

**⚠ WARNING DISCONNECT POWER BEFORE SERVICING**

### PRODUCT SPECIFICATIONS <sup>①</sup>

MODEL	M951P040BU24AA	M951P060BU36AA	M951P080BU42AB
<b>TYPE</b>	Upflow/Horizontal	Upflow/Horizontal	Upflow/Horizontal
<b>RATINGS</b> <sup>②</sup>			
Input BTUH <sup>③</sup>	40,000	60,000	77,000
Capacity BTUH (ICS) <sup>③</sup>	38,000	57,000	73,150
Temp. rise (Min.-Max.) °F.	30 - 60	30 - 60	35 - 65
<b>BLOWER DRIVE</b>	DIRECT	DIRECT	DIRECT
Diameter - Width (In.)	9 x 7	10 x 7	11 x 8
No. Used	1	1	1
Speeds (No.)	4	4	4
CFM vs. in. w.g.	See Fan Performance Table	See Fan Performance Table	See Fan Performance Table
Motor HP	1/5	1/3	1/2
R.P.M.	1075	1075	1075
Volts/Ph/Hz	115/1/60	115/1/60	115/1/60
<b>COMBUSTION FAN - Type</b>	Centrifugal	Centrifugal	Centrifugal
Drive - No. Speeds	Direct - 1	Direct - 1	Direct - 1
Motor HP - RPM	1/55 - 3000	1/15 - 3450	1/20 - 3450
Volts/Ph/Hz	115/1/60	115/1/60	115/1/60
FLA	1.0	1.75	0.71
<b>FILTER — Furnished?</b>	No	No	No
Type Recommended	High Velocity	High Velocity	High Velocity
Hi Vel. (No.-Size-Thk.)	1 - 17x25 - 1in.	1 - 17x25 - 1in.	1 - 17x25 - 1in.
<b>VENT PIPE DIAMETER — Min (In.)</b> <sup>⑤⑥</sup>	2 Round	2 Round	2 Round
<b>HEAT EXCHANGER</b>			
Type	Aluminized Steel - Type I	Aluminized Steel - Type I	Aluminized Steel - Type I
- Unfired			
Gauge (Fired)	20	20	20
<b>ORIFICES — Main</b>			
Nat. Gas Qty. — Drill Size	2 — 45	3 — 45	4 — 45
L.P. Gas Qty. — Drill Size	2 — 56	3 — 56	4 — 56
<b>GAS VALVE</b>	Redundant - Single Stage	Redundant - Single Stage	Redundant - Single Stage
<b>PILOT SAFETY DEVICE</b>			
Type	Hot Surface Ignition	Hot Surface Ignition	Hot Surface Ignition
<b>BURNERS — Type</b>	Multiport Inshot	Multiport Inshot	Multiport Inshot
Number	2	3	4
<b>POWER CONN. — V/Ph/Hz</b> <sup>④</sup>	115/1/60	115/1/60	115/1/60
Ampacity (In Amps)	5.2	9.2	10.2
Max. Overcurrent Protection (Amps)	15	15	15
<b>PIPE CONN. SIZE (IN.)</b>	1/2	1/2	1/2
<b>DIMENSIONS</b>	H x W x D	H x W x D	H x W x D
Crated (In.)	41-3/4 x 19-1/2 x 30-1/2	41-3/4 x 19-1/2 x 30-1/2	41-3/4 x 19-1/2 x 30-1/2
<b>WEIGHT</b>			
Shipping (Lbs.)/Net (Lbs.)	139 / 129	150 / 140	158 / 148

Notes

- ① Central Furnace heating designs are certified to ANSI Z21.47 / CSA 2.3.
- ② For U.S. applications, above input ratings (BTUH) are up to 2,000 feet, derate 4% per 1,000 feet for elevations above 2,000 feet above sea level. For Canadian applications, above input ratings (BTUH) are up to 4,500 feet, derate 4% per 1,000 feet for elevations above 4,500 feet above sea level.
- ③ Based on U.S. government standard tests.
- ④ The above wiring specifications are in accordance with National Electrical Code; however, installations must comply with local codes.
- ⑤ Refer to the Vent Length Table in the Installer's Guide or the Allowable Vent Length label located on the furnace.
- ⑥ All furnace models have a vent outlet diameter that equals 2".

PRODUCT SPECIFICATIONS ①

MODEL	M951P100CU48AA	M951P100DU60AA	M951P120DU60AA
<b>TYPE</b>	Upflow/Horizontal	Upflow/Horizontal	Upflow/Horizontal
<b>RATINGS</b> ②			
Input BTUH ③	97,000	97,000	110,000
Capacity BTUH (ICS) ③	92,150	92,150	104,500
Temp. rise (Min.-Max.) °F.	35 - 65	35 - 65	40 - 70
<b>BLOWER DRIVE</b>	DIRECT	DIRECT	DIRECT
Diameter - Width (In.)	10 x 10	11 x 10	11 x 10
No. Used	1	1	1
Speeds (No.)	4	4	4
CFM vs. in. w.g.	See Fan Performance Table	See Fan Performance Table	See Fan Performance Table
Motor HP	1/2	3/4	3/4
R.P.M.	1075	1100	1100
Volts/Ph/Hz	115/1/60	115/1/60	115/1/60
<b>COMBUSTION FAN - Type</b>	Centrifugal	Centrifugal	Centrifugal
Drive - No. Speeds	Direct - 1	Direct - 1	Direct - 1
Motor HP - RPM	1/20 - 3450	1/20 - 3450	1/20 - 3450
Volts/Ph/Hz	115/1/60	115/1/60	115/1/60
FLA	0.71	0.71	0.71
<b>FILTER — Furnished?</b>	No	No	No
Type Recommended	High Velocity	High Velocity	High Velocity
Hi Vel. (No.-Size-Thk.)	1 - 20x25 - 1in.	1 - 24x25 - 1in.	1 - 24x25 - 1in.
<b>VENT PIPE DIAMETER —</b>	3 Round	3 Round	3 Round
<b>Min (In.)</b> ⑤⑥			
<b>HEAT EXCHANGER</b>			
Type - Fired	Aluminized Steel - Type I	Aluminized Steel - Type I	Aluminized Steel - Type I
- Unfired			
Gauge (Fired)	20	20	20
<b>ORIFICES — Main</b>			
Nat. Gas. Qty. — Drill Size	5 — 45	5 — 45	6 — 45
L.P. Gas Qty. — Drill Size	5 — 56	5 — 56	6 — 56
<b>GAS VALVE</b>	Redundant - Single Stage	Redundant - Single Stage	Redundant - Single Stage
<b>PILOT SAFETY DEVICE</b>			
Type	Hot Surface Ignition	Hot Surface Ignition	Hot Surface Ignition
<b>BURNERS — Type</b>	Multiport Inshot	Multiport Inshot	Multiport Inshot
Number	5	5	6
<b>POWER CONN. — V/Ph/Hz</b> ④	115/1/60	115/1/60	115/1/60
Ampacity (In Amps)	12.5	12.9	12.9
Max. Overcurrent Protection (Amps)	20	20	20
<b>PIPE CONN. SIZE (IN.)</b>	1/2	1/2	1/2
<b>DIMENSIONS</b>	H x W x D	H x W x D	H x W x D
Crated (In.)	41-3/4 x 23 x 30-1/2	41-3/4 x 26-1/2 x 30-1/2	41-3/4 x 26-1/2 x 30-1/2
<b>WEIGHT</b>			
Shipping (Lbs.)/Net (Lbs.)	171 / 160	197 / 185	205 / 193

Notes

- ① Central Furnace heating designs are certified to ANSI Z21.47 / CSA 2.3.
- ② For U.S. applications, above input ratings (BTUH) are up to 2,000 feet, derate 4% per 1,000 feet for elevations above 2,000 feet above sea level.  
For Canadian applications, above input ratings (BTUH) are up to 4,500 feet, derate 4% per 1,000 feet for elevations above 4,500 feet above sea level.
- ③ Based on U.S. government standard tests.
- ④ The above wiring specifications are in accordance with National Electrical Code; however, installations must comply with local codes.
- ⑤ Refer to the Vent Length Table in the Installer's Guide or the Allowable Vent Length label located on the furnace.
- ⑥ All furnace models have a vent outlet diameter that equals 2".

**PRODUCT SPECIFICATIONS ①**

<b>MODEL</b>	<b>M951P040BD24AA</b>	<b>M951P065BD42AA</b>	<b>M951P085CD48AA</b>	<b>M951P110DD60AA</b>
<b>TYPE</b>	Downflow/Horizontal	Downflow/Horizontal	Downflow/Horizontal	Downflow/Horizontal
<b>RATINGS ②</b>				
Input BTUH ③	40,000	60,000	80,000	110,000
Capacity BTUH (ICS) ③	38,000	57,000	76,000	104,500
Temp. rise (Min.-Max.) °F.	30 - 60	25 - 55	30 - 60	35 - 65
<b>BLOWER DRIVE</b>	DIRECT	DIRECT	DIRECT	DIRECT
Diameter - Width (In.)	10 x 7	11 x 8	11 x 10	11 x 10
No. Used	1	1	1	1
Speeds (No.)	4	4	4	4
CFM vs. in. w.g.	See Fan Performance Table	See Fan Performance Table	See Fan Performance Table	See Fan Performance Table
Motor HP	1/5	1/2	1/2	3/4
R.P.M.	1080	1075	1075	1100
Volts/Ph/Hz	115/1/60	115/1/60	115/1/60	115/1/60
<b>COMBUSTION FAN - Type</b>	Centrifugal	Centrifugal	Centrifugal	Centrifugal
Drive - No. Speeds	Direct - 1	Direct - 1	Direct - 1	Direct - 1
Motor HP - RPM	1/55 - 3000	1/25 - 3200	1/20 - 3450	1/20 - 3450
Volts/Ph/Hz	115/1/60	115/1/60	115/1/60	115/1/60
FLA	1.14	1.35	0.71	0.71
<b>FILTER — Furnished?</b>	No	No	No	No
Type Recommended	High Velocity	High Velocity	High Velocity	High Velocity
Hi Vel. (No.-Size-Thk.)	2 - 14x20 - 1in.	2 - 14x20 - 1in.	2 - 16x20 - 1in.	2 - 16x20 - 1in.
<b>VENT PIPE DIAMETER — Min (In.) ⑤⑥</b>	2 Round	2 Round	2.5 Round	2.5 Round
<b>HEAT EXCHANGER</b>				
Type - Fired	Aluminized Steel - Type I	Aluminized Steel - Type I	Aluminized Steel - Type I	Aluminized Steel - Type I
- Unfired				
Gauge (Fired)	20	20	20	20
<b>ORIFICES — Main</b>				
Nat. Gas. Qty. — Drill Size	2 — 45	4 — 48	5 — 48	6 — 48
L.P. Gas Qty. — Drill Size	2 — 56	4 — 56	5 — 56	6 — 56
<b>GAS VALVE</b>	Redundant - Single Stage	Redundant - Single Stage	Redundant - Single Stage	Redundant - Single Stage
<b>PILOT SAFETY DEVICE</b>				
Type	Hot Surface Ignition	Hot Surface Ignition	Hot Surface Ignition	Hot Surface Ignition
<b>BURNERS — Type</b>	Multiport Inshot	Multiport Inshot	Multiport Inshot	Multiport Inshot
Number	2	4	5	6
<b>POWER CONN. — V/Ph/Hz ④</b>	115/1/60	115/1/60	115/1/60	115/1/60
Ampacity (In Amps)	4.8	11.4	12.5	12.9
Max. Overcurrent Protection (Amps)	15	15	20	20
<b>PIPE CONN. SIZE (IN.)</b>	1/2	1/2	1/2	1/2
<b>DIMENSIONS</b>	H x W x D	H x W x D	H x W x D	H x W x D
Crated (In.)	41-3/4 x 19-1/2 x 30-1/2	41-3/4 x 19-1/2 x 30-1/2	41-3/4 x 23 x 30-1/2	41-3/4 x 26-1/2 x 30-1/2
<b>WEIGHT</b>				
Shipping (Lbs.)/Net (Lbs.)	145 / 135	158 / 148	171 / 160	205 / 193

Notes

- ① Central Furnace heating designs are certified to ANSI Z21.47 / CSA 2.3.
- ② For U.S. applications, above input ratings (BTUH) are up to 2,000 feet, derate 4% per 1,000 feet for elevations above 2,000 feet above sea level.  
For Canadian applications, above input ratings (BTUH) are up to 4,500 feet, derate 4% per 1,000 feet for elevations above 4,500 feet above sea level.
- ③ Based on U.S. government standard tests.
- ④ The above wiring specifications are in accordance with National Electrical Code; however, installations must comply with local codes.
- ⑤ Refer to the Vent Length Table in the Installer's Guide or the Allowable Vent Length label located on the furnace.
- ⑥ All furnace models have a vent outlet diameter that equals 2".

## **⚠ WARNING**

### **CARBON MONOXIDE POISONING HAZARD**

**Failure to follow the steps outlined below for each appliance connected to the venting system being placed into operation could result in carbon monoxide poisoning or death.**

The following steps shall be followed for each appliance connected to the venting system being placed into operation, while all other appliances connected to the venting system are not in operation:

1. Seal any unused openings in the venting system.
2. Inspect the venting system for proper size and horizontal pitch, as required in the National Fuel Gas Code, ANSI Z223.1/NFPA 54 or the CAN/CGA B149 Installation Codes and these instructions. Determine that there is no blockage or restriction, leakage, corrosion and other deficiencies which could cause an unsafe condition.
3. As far as practical, close all building doors and windows and all doors between the space in which the appliance(s) connected to the venting system are located and other deficiencies which could cause an unsafe condition.
4. Close fireplace dampers.
5. Turn on clothes dryers and any appliance not connected to the venting system. Turn on any exhaust fans, such as range hoods and bathroom exhausts, so they are operating at maximum speed. Do not operate a summer exhaust fan.
6. Follow the lighting instructions. Place the appliance being inspected into operation. Adjust the thermostat so appliance is operating continuously.
7. If improper venting is observed during any of the above tests, the venting system must be corrected in accordance with the National Fuel Gas Code, ANSI Z221.1/NFPA 54 and/or CAN/CGA B149 Installation Codes.
8. After it has been determined that each appliance connected to the venting system properly vents where tested as outlined above, return doors, windows, exhaust fans, fireplace dampers and any other gas-fired burning appliance to their previous conditions of use.

## **⚠ WARNING**

### **FIRE OR EXPLOSION HAZARD**

**Failure to follow the safety warnings exactly could result in serious injury, death or property damage.**

**Never test for gas leaks with an open flame. Use a commercially available soap solution made specifically for the detection of leaks to check all connections. A fire or explosion may result causing property damage, personal injury, or loss of life.**

## **⚠ WARNING**

### **FIRE OR EXPLOSION HAZARD**

**Failure to follow the safety warnings exactly could result in serious injury, death or property damage.**

**Improper servicing could result in dangerous operation, serious injury, death, or property damage.**

## **⚠ CAUTION**

**The integrated furnace control is polarity sensitive. The hot leg of the 115 VAC power must be connected to the BLACK field lead.**

## **SEQUENCE OF OPERATION**

### **Thermostat call for heat**

R and W thermostat contacts close signaling the control module to run its self-check routine. After the control module has verified that the pressure switch contacts are open and the limit switch(es) contacts are closed, the draft blower will be energized.

As the induced draft blower comes up to speed, the pressure switch contacts will close and the ignitor warm up period will begin. The ignitor will heat for approximately 20 seconds, then the gas valve is energized to permit gas flow to the burners. The flame sensor confirms that ignition has been achieved.

After the flame sensor confirms within a 4 second trial period that ignition has been achieved, the delay to fan ON period begins timing. After approximately 45 seconds the indoor blower motor will be energized and continue to run during the heating cycle. Downflow models have a 10 second blower ON delay.

When the thermostat is satisfied, R and W thermostat contacts open, the gas valve will close, the flames will extinguish, and the induced draft blower will be de-energized. The indoor blower motor will continue to run for the fan off period (Field selectable at 60, 100, 140 or 180 seconds), then be de-energized by the control module.

### **AIRFLOW ADJUSTMENT**

Check inlet and outlet air temperatures to make sure they are within the ranges specified on the furnace rating nameplate. If the airflow needs to be increased or decreased, see the wiring diagram for information on changing the speed of the blower motor.

**⚠ WARNING**

**Disconnect power to the unit before removing the blower door.**

**Failure to follow this warning could result in personal injury from moving parts.**

This unit is equipped with a blower door switch which cuts power to the blower and gas valve causing shutdown when the door is removed. Operation with the door removed or ajar can permit the escape of dangerous fumes. All panels must be securely closed at all times for safe operation of the furnace.

**INDOOR BLOWER TIMING**

**Heating:** The control module controls the indoor blower. The blower start is fixed at 45 seconds after ignition. Downflow models have a 10 second blower ON delay. The FAN-OFF period is field selectable by dip switches at 60, 100, 140, or 180 seconds. The factory setting is 100 seconds (See wiring diagram).

**Cooling:** The fan delay off period is factory set at 0 seconds. The option for 80 second delay off is field selectable (See wiring diagram).

**NOTE:**

*Direct drive motors have bearings which are permanently lubricated and under normal use, lubrication is not recommended.*

**⚠ WARNING**

**BODILY INJURY CAN RESULT FROM HIGH VOLTAGE ELECTRICAL COMPONENTS, FAST MOVING FANS, AND COMBUSTIBLE GAS. FOR PROTECTION FROM THESE INHERENT HAZARDS DURING INSTALLATION AND SERVICING, THE ELECTRICAL SUPPLY MUST BE DISCONNECTED AND THE MAIN GAS VALVE MUST BE TURNED OFF. IF OPERATING CHECKS MUST BE PERFORMED WITH THE UNIT OPERATING, IT IS THE TECHNICIANS RESPONSIBILITY TO RECOGNIZE THESE HAZARDS AND PROCEED SAFELY.**

The following warning complies with State of California law, Proposition 65.

**⚠ WARNING**

**This product contains fiberglass wool insulation!**

**Fiberglass dust and ceramic fibers are believed by the State of California to cause cancer through inhalation. Glasswool fibers may also cause respiratory, skin, or eye irritation.**

**PRECAUTIONARY MEASURES**

- Avoid breathing fiberglass dust.
- Use a NIOSH approved dust/mist respirator.
- Avoid contact with the skin or eyes. Wear long-sleeved, loose-fitting clothing, gloves, and eye protection.
- Wash clothes separately from other clothing: rinse washer thoroughly.
- Operations such as sawing, blowing, tear-out, and spraying may generate fiber concentrations requiring additional respiratory protection. Use the appropriate NIOSH approved respirator in these situations.

**FIRST AID MEASURES**

- Eye Contact** – Flush eyes with water to remove dust. If symptoms persist, seek medical attention.
- Skin Contact** – Wash affected areas gently with soap and warm water after handling.

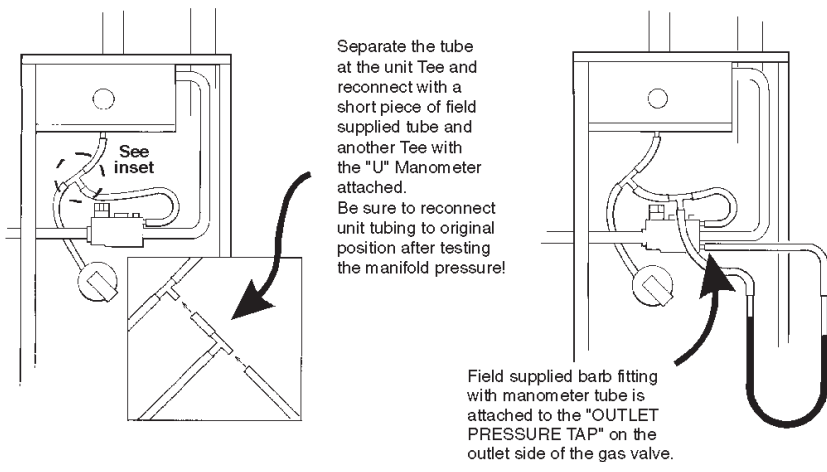
The following warning complies with State of California law, Proposition 65.

**⚠ WARNING**

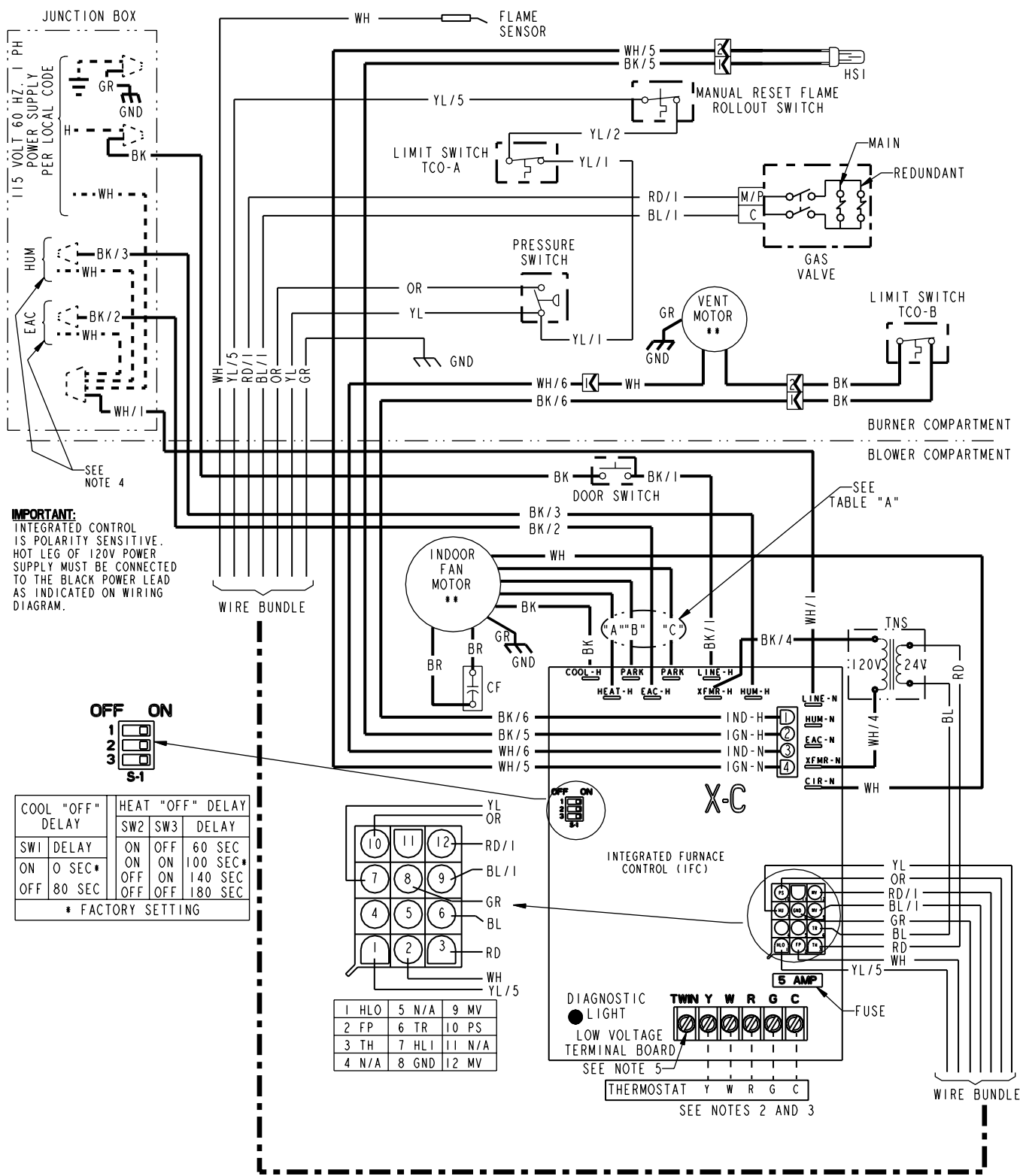
**Hazardous Gases!**

**Exposure to fuel substances or by-products of incomplete fuel combustion is believed by the state of California to cause cancer, birth defects, or other reproductive harm.**

**CORRECT METHOD OF CHECKING DIRECT VENT MANIFOLD PRESSURE WITH BURNER BOX REFERENCED**



## M951 UPFLOW WIRING DIAGRAM



**IMPORTANT:**  
 INTEGRATED CONTROL IS POLARITY SENSITIVE. HOT LEG OF 120V POWER SUPPLY MUST BE CONNECTED TO THE BLACK POWER LEAD AS INDICATED ON WIRING DIAGRAM.

**S-1**

COOL "OFF" DELAY		HEAT "OFF" DELAY		DELAY
SW1	DELAY	ON	OFF	
ON	0 SEC*	ON	ON	60 SEC
OFF	80 SEC	OFF	ON	100 SEC*
		OFF	OFF	140 SEC
		OFF	OFF	180 SEC

\* FACTORY SETTING

1	HLO	5	N/A	9	MV
2	FP	6	TR	10	PS
3	TH	7	HLI	11	N/A
4	N/A	8	GND	12	MV

(continued on next page)  
 From DWG D344496P01REV01

## M951 UPFLOW SCHEMATIC DIAGRAM

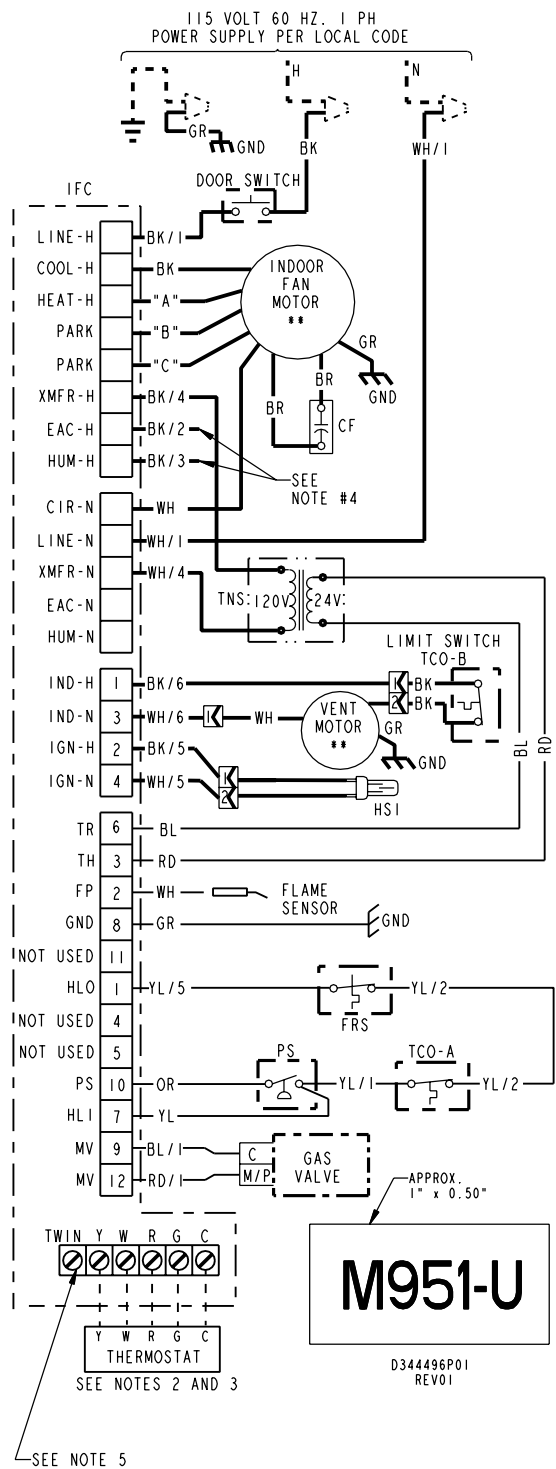


TABLE "A"			
SPEED TAPS FOR I.D. FAN MOTOR			
MODEL	HEAT "A"	PARK "B"	PARK "C"
M951P040BU24A##	YL	RD	BL
M951P060BU36A##	BL	RD	YL
M951P080BU42A##	BL	RD	YL
M951P100CU48A##	BL	RD	YL
M951P100DU60A##	YL	RD	BL
M951P120DU60A##	BL	RD	YL

# SUFFIX MAY BE "A" THROUGH "Z"

RD = LOW                      BL = MED. HIGH  
YL = MED. LOW              BK = HIGH

**⚠ WARNING**

HAZARDOUS VOLTAGE:  
DISCONNECT ALL ELECTRICAL POWER INCLUDING REMOTE DISCONNECTS BEFORE SERVICING.  
FAILURE TO DISCONNECT POWER BEFORE SERVICING CAN CAUSE SEVERE PERSONAL INJURY OR DEATH.

**⚠ CAUTION**

USE COPPER CONDUCTORS ONLY!  
UNIT TERMINALS ARE NOT DESIGNED TO ACCEPT OTHER TYPES OF CONDUCTORS.  
FAILURE TO DO SO MAY CAUSE DAMAGE TO THE EQUIPMENT.

**INTEGRATED FURNACE CONTROL**  
REPLACE WITH PART CNT03076 OR EQUIVALENT  
INPUT: 25 VAC, 60 HZ.  
XFMR SEC. CURRENT: 450 MA.  
MV OUTPUT: 1.5 A @ 24 VAC  
IND OUTPUT: 2.2 FLA, 3.5 LRA @ 120 VAC  
CIRC. BLOWER OUTPUT: 14.5 FLA, 26 LRA @ 120 VAC  
HUMIDIFIER & AIR CLEANER  
MAX. LOAD: 1.0 A @ 120 VAC  
IGNITER OUTPUT: 2.0 A @ 120 VAC

**DIAGNOSTIC CODES**

FLASHING SLOW: NORMAL - NO CALL FOR HEAT  
FLASHING FAST: NORMAL - CALL FOR HEAT  
CONTINUOUS ON: REPLACE IFC  
CONTINUOUS OFF: CHECK POWER

2 FLASHES: EXTERNAL LOCKOUT (RETRIES OR RECYCLES EXCEEDED)  
3 FLASHES: PRESSURE SWITCH ERROR  
4 FLASHES: OPEN LIMIT DEVICE

5 FLASHES: FLAME SENSED WHEN NO FLAME SHOULD BE PRESENT  
6 FLASHES: 115 VAC POWER REVERSED POLARITY OR POOR GROUNDING  
7 FLASHES: GAS VALVE CIRCUIT ERROR  
8 FLASHES: LOW FLAME SENSE SIGNAL  
9 FLASHES: CHECK IGNITER

	TCO THERMAL CUT OUT		LINE } FACTORY 24 V WIRING		LINE } FIELD WIRING 24 V WIRING	BK BLACK	GR GREEN
	PS PRESSURE SWITCH		LINE } FACTORY 24 V WIRING		LINE } FIELD WIRING 24 V WIRING	WH WHITE	BR BROWN
	FRS FLAME ROLLOUT SWITCH		LINE } FACTORY 24 V WIRING		LINE } FIELD WIRING 24 V WIRING	YL YELLOW	RD RED
	FP FLAME SENSOR		LINE } FACTORY 24 V WIRING		LINE } FIELD WIRING 24 V WIRING	OR ORANGE	BL BLUE
	CHASSIS GROUND		LINE } FACTORY 24 V WIRING		LINE } FIELD WIRING 24 V WIRING		
	HSI HOT SURFACE IGNITER		LINE } FACTORY 24 V WIRING		LINE } FIELD WIRING 24 V WIRING		
	DOOR SWITCH		LINE } FACTORY 24 V WIRING		LINE } FIELD WIRING 24 V WIRING		
	CF CAPACITOR		LINE } FACTORY 24 V WIRING		LINE } FIELD WIRING 24 V WIRING		
	COIL		LINE } FACTORY 24 V WIRING		LINE } FIELD WIRING 24 V WIRING		

WIRE COLOR

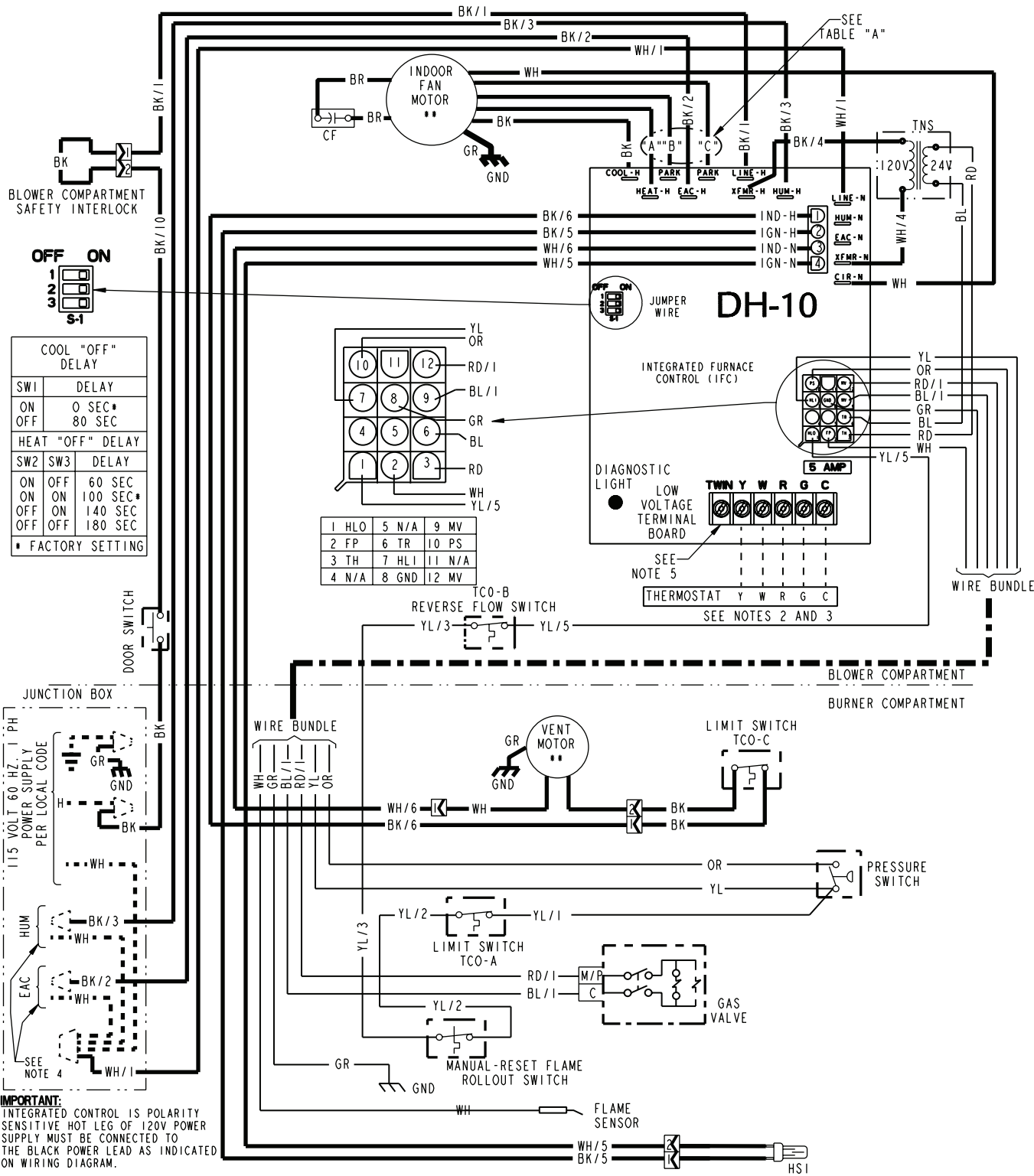
BK/1 NUMBER ID (IF ANY)

L	LINE	TH	24 VAC (HOT)
N	NEUTRAL	TR	24 VAC (COMMON)
GND	GROUND	MV	MAIN GAS VALVE
B/C	COMMON	TNS	TRANSFORMER
HLO	HIGH LIMIT OUTPUT		
HLI	HIGH LIMIT INPUT		

- NOTES:**
- IF ANY OF THE ORIGINAL WIRING AS SUPPLIED WITH THIS FURNACE MUST BE REPLACED, IT MUST BE WITH WIRE HAVING A TEMPERATURE RATING OF AT LEAST 105 C.
  - THERMOSTAT HEAT ANTICIPATOR SETTING: .38 AMPS
  - FOR PROPER OPERATION OF COOLING SPEED, "Y" TERMINAL MUST BE CONNECTED TO THE ROOM THERMOSTAT.
  - THESE LEADS PROVIDE 120V POWER CONNECTIONS FOR ELECTRONIC AIR CLEANER (EAC) AND HUMIDIFIER (HUM). MAX. LOAD: 1.0 AMPS EACH.
  - WHEN TWINNING TWO FURNACES, BOTH UNITS MUST BE CONNECTED TO THE SAME 115 VAC PHASE. CONNECT THE TWO UNITS 'TWIN' TERMINALS WITH 14 TO 22 AWG. WIRE.

From DWG D344496P01REV01

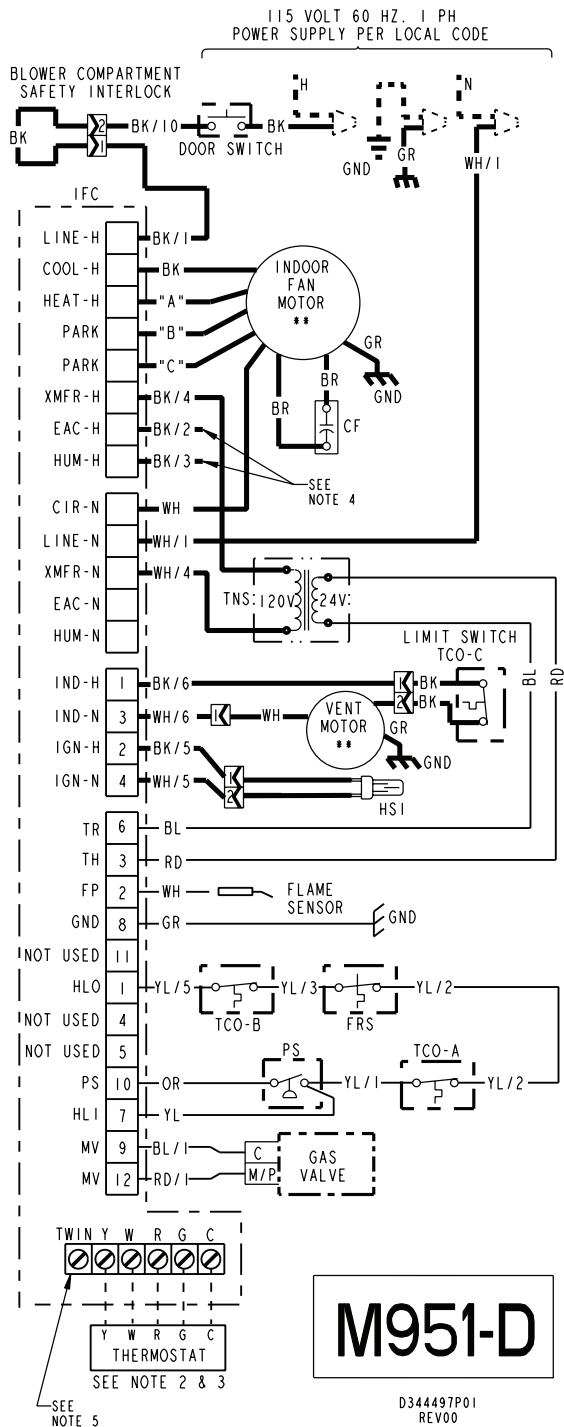
## M951 DOWNFLOW WIRING DIAGRAM



(continued on next page)  
From DWG D344497P01REV00



## M951 DOWNFLOW SCHEMATIC DIAGRAM



SPEED TAPS FOR I.D. FAN MOTOR			
MODEL	HEAT "A"	PARK "B"	PARK "C"
M951P040BD24AA#	YL	RD	BL
M951P065BD42AA#	BL	RD	YL
M951P085CD48AA#	BL	RD	YL
M951P110DD60AA#	BL	RD	YL

RD = LOW                      BL = MED. HIGH  
YL = MED. LOW              BK = HIGH

# - MAY BE SUFFIX "A" THROUGH "Z"

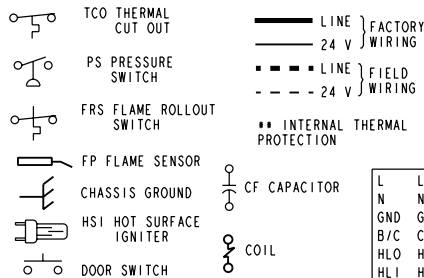
**WARNING**  
HAZARDOUS VOLTAGE:  
DISCONNECT ALL ELECTRICAL POWER INCLUDING REMOTE DISCONNECTS BEFORE SERVICING.  
FAILURE TO DISCONNECT POWER BEFORE SERVICING CAN CAUSE SEVERE PERSONAL INJURY OR DEATH.

**CAUTION**  
USE COPPER CONDUCTORS ONLY!  
UNIT TERMINALS ARE NOT DESIGNED TO ACCEPT OTHER TYPES OF CONDUCTORS.  
FAILURE TO DO SO MAY CAUSE DAMAGE TO THE EQUIPMENT.

**INTEGRATED FURNACE CONTROL**  
REPLACE WITH PART CNT05995 OR EQUIVALENT  
INPUT: 25 VAC, 60 HZ.  
XFMR SEC. CURRENT: 450 MA.  
MV OUTPUT: 1.5 A @ 24 VAC  
IND OUTPUT: 2.2 FLA, 3.5 LRA @ 120 VAC  
CIRC. BLOWER OUTPUT: 14.5 FLA, 26.0 LRA @ 120 VAC  
HUMIDIFIER & AIR CLEANER  
MAX. LOAD: 1.0 A @ 120 VAC  
IGNITER OUTPUT: 6.0 A @ 120 VAC

### DIAGNOSTIC CODES

FLASHING SLOW: NORMAL - NO CALL FOR HEAT  
FLASHING FAST: NORMAL - CALL FOR HEAT  
CONTINUOUS ON: REPLACE IFC  
CONTINUOUS OFF: CHECK POWER  
2 FLASHES: EXTERNAL LOCKOUT (RETRIES OR RECYCLES EXCEEDED)  
3 FLASHES: PRESSURE SWITCH ERROR  
4 FLASHES: OPEN LIMIT DEVICE  
5 FLASHES: FLAME SENSED WHEN NO FLAME SHOULD BE PRESENT  
6 FLASHES: 115 VAC POWER REVERSED POLARITY OR POOR GROUNDING  
7 FLASHES: GAS VALVE CIRCUIT ERROR  
8 FLASHES: LOW FLAME SENSE SIGNAL  
9 FLASHES: CHECK IGNITER



BK	BLACK	GR	GREEN
WH	WHITE	BR	BROWN
YL	YELLOW	RD	RED
OR	ORANGE	BL	BLUE

WIRE COLOR  
BK/1 NUMBER ID (IF ANY)

L	LINE	TH	24 VAC (HOT)
N	NEUTRAL	TR	24 VAC (COMMON)
GND	GROUND	MV	MAIN GAS VALVE
B/C	COMMON	TNS	TRANSFORMER
HLO	HIGH LIMIT OUTPUT		
HLI	HIGH LIMIT INPUT		

### NOTES:

- IF ANY OF THE ORIGINAL WIRING AS SUPPLIED WITH THIS FURNACE MUST BE REPLACED, IT MUST BE WITH WIRE HAVING A TEMPERATURE RATING OF AT LEAST 105 C.
- THERMOSTAT HEAT ANTICIPATOR SETTING: .38 AMPS
- FOR PROPER OPERATION OF COOLING SPEED, "Y" TERMINAL MUST BE CONNECTED TO THE ROOM THERMOSTAT.
- THESE LEADS PROVIDE 120V POWER CONNECTIONS FOR ELECTRONIC AIR CLEANER (EAC) AND HUMIDIFIER (HUM). MAX. LOAD: 1.0 AMPS EACH.
- WHEN TWINNING TWO FURNACES, BOTH UNITS MUST BE CONNECTED TO THE SAME 115 VAC PHASE CONNECT THE TWO UNITS 'TWIN' TERMINALS WITH 14 TO 22 AWG. WIRE.

From DWG D344497P01REV00

### PERIODIC SERVICING REQUIREMENTS

#### WARNING

**Disconnect power to the unit before removing the blower door.**

**Failure to follow this warning could result in personal injury from moving parts.**

1. GENERAL INSPECTION – Examine the furnace installation annually for the following items:
  - a. All flue product carrying areas external to the furnace (i.e. chimney, vent connector) are clear and free of obstruction. A vent screen in the end of the vent (flue) pipe must be inspected for blockage annually.
  - b. The vent connector is in place, slopes upward and is physically sound without holes or excessive corrosion.
  - c. The return air duct connection(s) is physically sound, is sealed to the furnace and terminates outside the space containing the furnace.
  - d. The physical support of the furnace should be sound without sagging, cracks, gaps, etc., around the base so as to provide a seal between the support and the base.
  - e. There are no obvious signs of deterioration of the furnace.
2. FILTERS – Filters should be cleaned or replaced (with high velocity filters only), monthly and more frequently during high use times of the year such as midsummer or midwinter.
3. BLOWERS – The blower size and speed determine the air volume delivered by the furnace. The blower motor bearings are factory lubricated and under normal operating conditions do not require servicing. If motor lubrication is required it should only be done by a qualified servicer. Annual cleaning of the blower wheel and housing is recommended for maximum air output, and this must be performed only by a qualified servicer or service agency.

#### WARNING

**Do NOT touch igniter. It is extremely hot.**

**Failure to follow this warning could result in severe burns.**

4. IGNITER – This unit has a special hot surface direct ignition device that automatically lights the burners. Please note that it is very fragile and should be handled with care.

#### WARNING

**CARBON MONOXIDE POISONING HAZARD**

**Failure to follow the service and/or periodic maintenance instructions for the furnace and venting system, could result in carbon monoxide poisoning or death.**

5. BURNERS – Gas burners do not normally require scheduled servicing, however, accumulation of foreign material may cause a yellowing flame or delayed ignition. Either condition indicates that a service call is required. For best operation, burners should be cleaned annually by a qualified servicer.

Turn off gas and electric power supply. To clean burners, remove burner box cover (6 to 8 screws) and the top burner bracket. Lift burners from orifices.

**NOTE: Be careful NOT to break igniter when removing burners. Clean burners with brush and/or vacuum cleaner. Reassemble parts by reversal of the above procedure.**

#### WARNING

**CARBON MONOXIDE POISONING HAZARD**  
**Failure to follow the service and/or periodic maintenance instructions for the furnace and venting system, could result in carbon monoxide poisoning or death.**

**NOTE: On LP (propane) units, some light yellow tipping of the outer mantle is normal. Inner mantle should be bright blue.**

**Natural gas units should not have any yellow tipped flames. This condition indicates that a service call is required. For best operation, burners should be cleaned annually by a qualified servicer.**

**NOTE: On LP (propane) units, due to variations in BTU content and altitude, servicing may be required at shorter intervals.**

6. HEAT EXCHANGER/FLUE PIPE – These items must be inspected for signs of corrosion, and/or deterioration at the beginning of each heating season by a qualified service technician and cleaned annually for best operation. To clean flue gas passages, follow recommendations below:
  - a. Turn off gas and electric power supply.
  - b. Inspect flue pipe exterior for cracks, leaks, holes or leaky joints. Some discoloration of PVC pipe is normal.
  - c. Remove burner compartment door from furnace.
  - d. Inspect around insulation covering flue collector box. Inspect induced draft blower connections from recuperative cell and to the flue pipe connection.
  - e. Remove burners. (See 5.)
  - f. Use a mirror and flashlight to inspect interior of heat exchanger, be careful not to damage the igniter, flame sensor or other components.
  - g. If any corrosion is present, contact a service agency. Heat exchanger should be cleaned by a qualified service technician.

FURNACE AIRFLOW (CFM) VS. EXTERNAL STATIC PRESSURE (in. w.c.)										
MODEL	SPEED TAP	0.10	0.20	0.30	0.40	0.50	0.60	0.70	0.80	0.90
M951P040BU24AA	4 - HIGH - Black	1043	992	930	885	812	740	647	518	457
	3 - MED.-HIGH - Blue	940	895	841	791	726	650	559	420	390
	2 - MED.-LOW - Yellow**	837	798	752	705	649	560	438	305	279
	1 - LOW - Red	729	694	657	600	545	478	376	220	178
M951P060BU36AA	4 - HIGH - Black	1359	1313	1264	1204	1144	1079	1004	919	812
	3 - MED.-HIGH - Blue**	1232	1199	1161	1116	1065	1004	934	852	744
	2 - MED.-LOW - Yellow	1077	1054	1027	994	953	904	845	768	666
	1 - LOW - Red	926	913	895	871	836	792	733	670	570
M951P080BU42AB	4 - HIGH - Black	1646	1611	1573	1530	1477	1421	1360	1289	1200
	3 - MED.-HIGH - Blue**	1366	1356	1337	1311	1280	1243	1197	1139	1060
	2 - MED.-LOW - Yellow	1175	1159	1145	1130	1108	1081	1045	993	929
	1 - LOW - Red	1004	994	997	982	963	943	907	866	824
M951P100CU48AA	4 - HIGH - Black	1982	1912	1836	1761	1679	1593	1496	1389	1267
	3 - MED.-HIGH - Blue**	1892	1832	1765	1696	1621	1538	1446	1342	1205
	2 - MED.-LOW - Yellow	1759	1712	1660	1604	1536	1465	1383	1275	1149
	1 - LOW - Red	1593	1557	1521	1485	1433	1370	1294	1182	1068
M951P100DU60AA	4 - HIGH - Black	2339	2287	2235	2168	2100	2021	1941	1858	1773
	3 - MED.-HIGH - Blue	2045	2021	1996	1947	1897	1836	1774	1701	1629
	2 - MED.-LOW - Yellow**	1719	1703	1693	1671	1649	1607	1565	1498	1431
	1 - LOW - Red	1436	1430	1430	1414	1398	1372	1344	1287	1230
M951P120DU60AA	4 - HIGH - Black	2380	2334	2287	2241	2193	2118	2043	1956	1870
	3 - MED.-HIGH - Blue**	2042	2029	2016	1984	1952	1892	1830	1771	1712
	2 - MED.-LOW - Yellow	1695	1690	1684	1668	1652	1627	1601	1545	1489
	1 - LOW - Red	1402	1404	1406	1397	1387	1358	1328	1285	1242

\*\* = Factory Set Heat Speed Tap Setting

CFM VS. TEMPERATURE RISE																			
MODEL	Cubic Feet Per Minute (CFM)																		
	600	700	800	900	1000	1100	1200	1300	1400	1500	1600	1700	1800	1900	2000	2100	2200	2300	2400
M951P040BU24AA	59	50	44	39	35														
M951P060BU36AA				59	53	48	44	41	38										
M951P080BU42AB						64	59	54	50	47	44	41							
M951P100CU48AA								68	63	59	55	52	49	46	44				
M951P100DU60AA								68	63	59	55	52	49	46	44	42	40	38	37
M951P120DU60AA										70	66	62	59	56	53	50	48	46	44

- h. After inspection is complete replace burners, and all furnace doors.
  - i. Restore gas supply. Check for leaks using a soap solution. Restore electrical supply. Check unit for normal operation.
7. FURNACE CONDENSATE DRAIN TUBES – Condensate drain tubes must be checked periodically to assure that condensate can flow freely from unit to drain. If a drain problem cannot be corrected, call a qualified servicer.
  8. COOLING COIL CONDENSATE DRAIN – If a cooling coil is installed with the furnace, condensate drains should be checked and cleaned periodically to assure

that condensate can drain freely from coil to drain. If condensate cannot drain freely water damage could occur. (See Condensate Drain in Installer’s Guide.)

**⚠ CAUTION**

**Label all wires prior to disconnection when servicing controls. Wiring errors can cause improper and dangerous operation. Verify proper operation after servicing.**

## SERVICE FACTS

FURNACE AIRFLOW (CFM) VS. EXTERNAL STATIC PRESSURE (in. w.c.)										
MODEL	SPEED TAP	0.10	0.20	0.30	0.40	0.50	0.60	0.70	0.80	0.90
M951P040BD24AA	4 - HIGH - Black	998	965	922	870	807	735	653	561	459
	3 - MED.-HIGH - Blue	856	832	797	751	695	628	550	462	363
	2 - MED.-LOW - Yellow**	753	728	694	650	596	533	460	378	286
	1 - LOW - Red	647	617	581	538	490	435	375	308	235
M951P065BD42AA	4 - HIGH - Black	1501	1453	1402	1344	1283	1216	1145	1068	986
	3 - MED.-HIGH - Blue**	1442	1393	1341	1285	1227	1166	1103	1037	968
	2 - MED.-LOW - Yellow	1346	1308	1263	1212	1155	1092	1024	950	869
	1 - LOW - Red	1225	1197	1160	1116	1062	1001	931	853	766
M951P085CD48AA	4 - HIGH - Black	1835	1772	1709	1637	1566	1485	1405	1313	1222
	3 - MED.-HIGH - Blue**	1726	1674	1622	1557	1492	1416	1340	1252	1164
	2 - MED.-LOW - Yellow	1581	1539	1498	1440	1383	1321	1258	1172	1085
	1 - LOW - Red	1401	1374	1346	1308	1269	1209	1148	1075	1001
M951P110DD60AA	4 - HIGH - Black	2147	2074	2000	1941	1881	1807	1732	1655	1576
	3 - MED.-HIGH - Blue**	1995	1940	1885	1827	1767	1699	1631	1547	1462
	2 - MED.-LOW - Yellow	1712	1681	1649	1602	1555	1505	1455	1381	1307
	1 - LOW - Red	1424	1408	1392	1367	1341	1296	1251	1188	1124

\*\* = Factory Set Heat Speed Tap Setting

CFM VS. TEMPERATURE RISE																	
MODEL	Cubic Feet Per Minute (CFM)																
	600	700	800	900	1000	1100	1200	1300	1400	1500	1600	1700	1800	1900	2000	2100	2200
M951P040BD24AA	59	50	44	39	35												
M951P065BD42AA		75	66	59	53	48	44	41	38	35							
M951P085CD48AA					70	64	59	54	50	47	44	41	39	37			
M951P110DD60AA						88	81	74	69	65	60	57	54	51	48	46	

## INTEGRATED FURNACE CONTROL ERROR FLASH CODES

Flashing Slow ---	Normal - No call for Heat
Flashing Fast ---	Normal - Call for Heat
Continuous ON ---	Replace IFC
Continuous OFF ---	Check Power
2 Flashes ---	System Lockout (Retries or Recycles exceeded)
3 Flashes ---	Pressure Switch Error

4 Flashes ---	Open High Limit Device
5 Flashes ---	Flame sensed when no flame should be present
6 Flashes ---	115 Volt AC power reversed or Poor Grounding
7 Flashes ---	Gas valve circuit error
8 Flashes ---	Low flame sense signal
9 Flashes ---	Check Ignitor